

采用生态纸印刷 ©RUILI ELECTRIC

浙江瑞力电气有限公司保留更改产品设计、规格、参数的权利，恕不另行通知，请以随产品说明为准。

ZHEJIANG RUILI ELECTRIC CO., LTD. reserves the right to change product designs, specifications, parameters of rights, any change will not be notified, please refer the enclosed catalogue and instructions with the product packaging.

RUILY[®]

产品选型手册
Product Selection Guide



RUILI ELECTRIC

绝缘子 | 避雷器 | 跌落式熔断器 | 隔离开关 | 电力金具 | 电缆
Insulators | Surge Arrester | Drop-out Fuse Cutout | Disconnecter Switch | Power Fittings | Cable

RUILY[®]
瑞力电气

浙江瑞力电气有限公司
ZHEJIANG RUILI ELECTRIC CO.,LTD.

地址：浙江省丽水市莲都区惠民街351号

ADD: No.351 Huimin Street ,Liandu District ,Lishui,Zhejiang ,China

TEL: +86-578-2907333

FAX: +86-578-2699958

Websit: www.ruilielec.com , www.ruili.cn

E-mail: sales08@ruily.cn , rl3533@vip.163.com

Cell,whatsapp,wechat:+86-18815036600

浙江瑞力电气有限公司
ZHEJIANG RUILI ELECTRIC CO.,LTD.

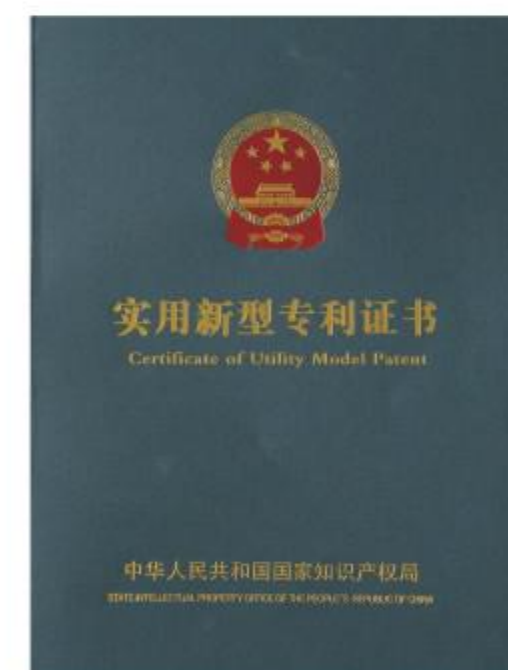


HONOR OF ENTERPRISES
 瑞力，一个质量的代名词……
WWW.RUILIELEC.COM

Ruili Electric

Company Profile

- » Zhejiang Ruili Electric Co.,Ltd was established in 2006, which now has 55, 000 Square Meter production area, 200 employees, 8 engineers that annual sales can reach 200 million. Our company now is loacted in LiShui city ,Zhejiang province cause we have set up a new company Laurence Electric Power Co.,Ltd in 2016 year .
- » As an all-around advanced technology enterprise who is turning produce, develop and study together in the industry of high voltage of Insulators, Zinc Oxide Surge Arrester, Fuse Cutout ,Disconnect switch ,Cables and Power Fittings .
- » Our company follows the principle of high quality and high level, carrying out ISO9001 Quality Management System .And we also focus on product innovation .By now we have got a lot design patents .The prodtucs get the type test reports from Quality Inspection and Testing Centre of Electric Equipment Ministry of Electric Power, P.R. of China accord with IEC,ANSI,AS, EN standards .So our products are well received both at home and abroad.
- » We hope to establish a long-term and pleasant cooperation with you .Welcome to visit and negotiate with us !

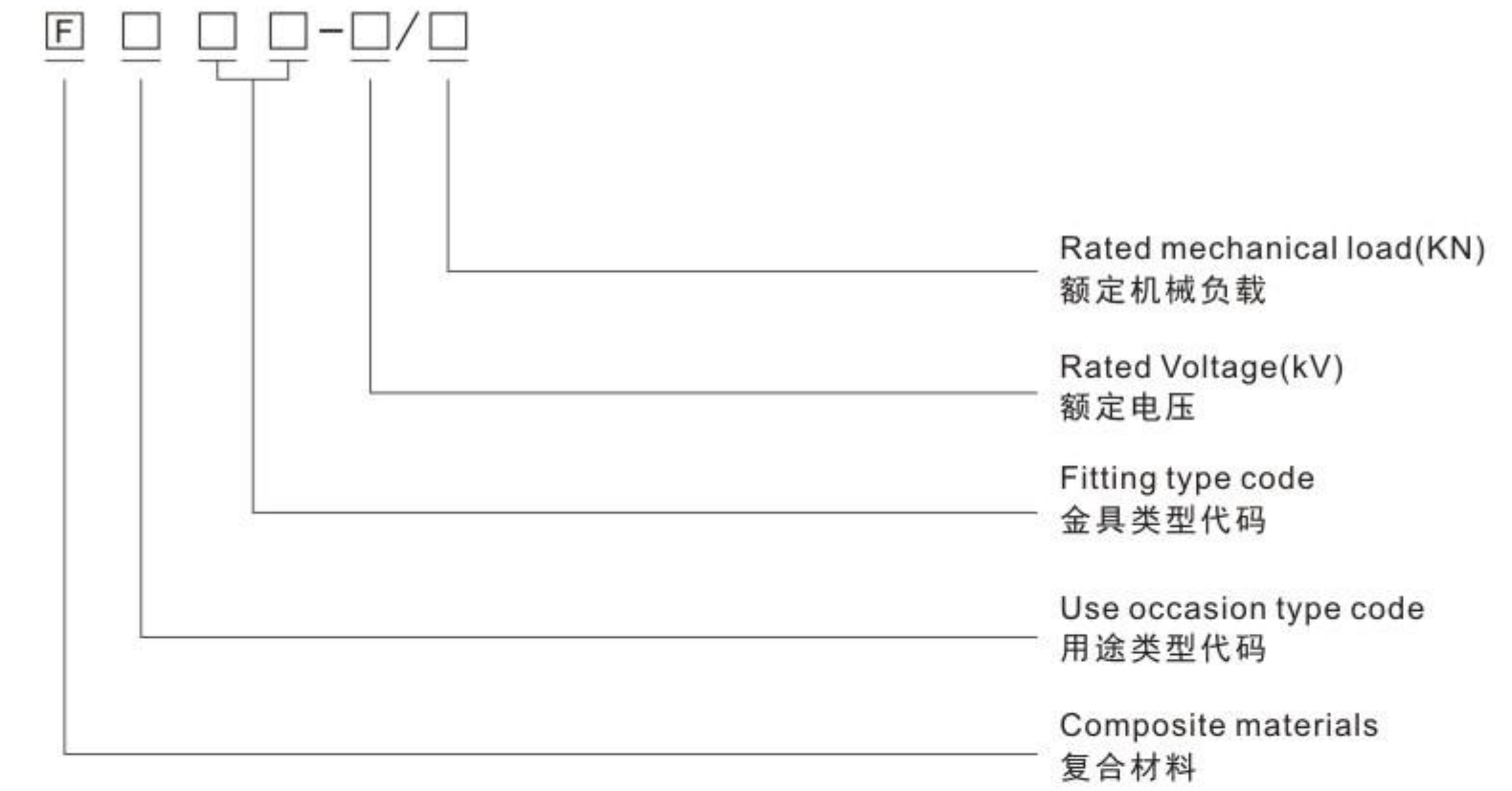


A	绝缘子 Insulators	
	● A1: 复合绝缘子 Polymer Insulators P02-12	
	● A2: 瓷绝缘子 Porcelain Insulators P13-20	
B	避雷器 Surge Arrester	
	● B1: 复合避雷器 Polymer Surge Arrester P21-24	
	● B2: 陶瓷避雷器 Porcelain Surge Arrester P25-28	
	● B3: 放电计数器与监测器 Discharge Counter & Monitor for Arrester P29	
	● B4: 脱离器 Dissconnector for Arrester P29	
C	跌落式熔断器 Drop-out Fuse Cutout	
	● C1: 陶瓷熔断器 Porcelain Fuse Cutout Types P30-33	
	● C2: 复合熔断器 Polymeric Fuse Cutouts P34-37	
	● C3: 带灭弧罩熔断器 Load Break Fuse Cutout P38-39	
	● C4: Fuse Cutout Bar Type P39	
	● C5: Fuse Links P40	
	● C6: Hook stick tools P41	
D	隔离开关 Disconnect Switch	
	● D1: 单相隔离开关 Single Phase Disconnect Switch P42	
	● D2: 三相隔离开关 Three-phase Disconnect Switch P43-45	
E	电力金具 Power Fittings	
	● E1: 接地金具 Grounding Fittings P46	
	● E2: 耐张线夹 Strain Clamp P47	
	● E3: 悬垂线夹 Suspension Clamp P48	
	● E4: 预绞丝护线条 Preformed Armour Rodsr P49	
	● E5: 预成型拉紧线夹(适用铝包钢绞线) Dead-End Clamp(for aluminium covered steel stranded wire) P50	
	● E6: 预绞丝补修条 Preformed Armour Rods for Conductor Repair P52	
F	电缆 Cable	
	● F1: 架空绝缘电缆 Aerial Bundle Cable(ABC) P53-57	
	● F2: 铝绞线 All Aluminium conductor (AAC) P58	
	● F3: 铝合金绞线 Aluminium alloy conductor(AAAC) P59	
	● F4: 钢芯铝绞线 Aluminium Conductor Steel Reinforced(ACSR) P60-62	
	● F5: 钢芯铝合金绞线 Aluminum Alloy conductor Steel Reinforced(AACSR) P63-64	

A1 复合绝缘子 Polymer Insulators

复合悬式绝缘子 Composit Suspension / Tension Insulator

型号说明 Type definition



使用场合类型代码 Use Occasion Type Code

Code	Use type
X	Tension type
PQ	Pin type
ZS	Line post type
Q	Railway type
S	Crossarm

端接类型代码 End fitting type code

Ground fitting	Line Fitting	Code
Socket	Ball	SB
Clevis	Tongue	CT
Clevis	Ball	CB
Socket	Clevis	SC
Y-clevis	Ball	YB
Y-clevis	Eye	YE
Y-clevis	Tongue	YT
Eye	Eye	EE
Hook	Ball	HB
Pigtail	Ball	PB

COMPOSITE INSULATORS END FITTINGS

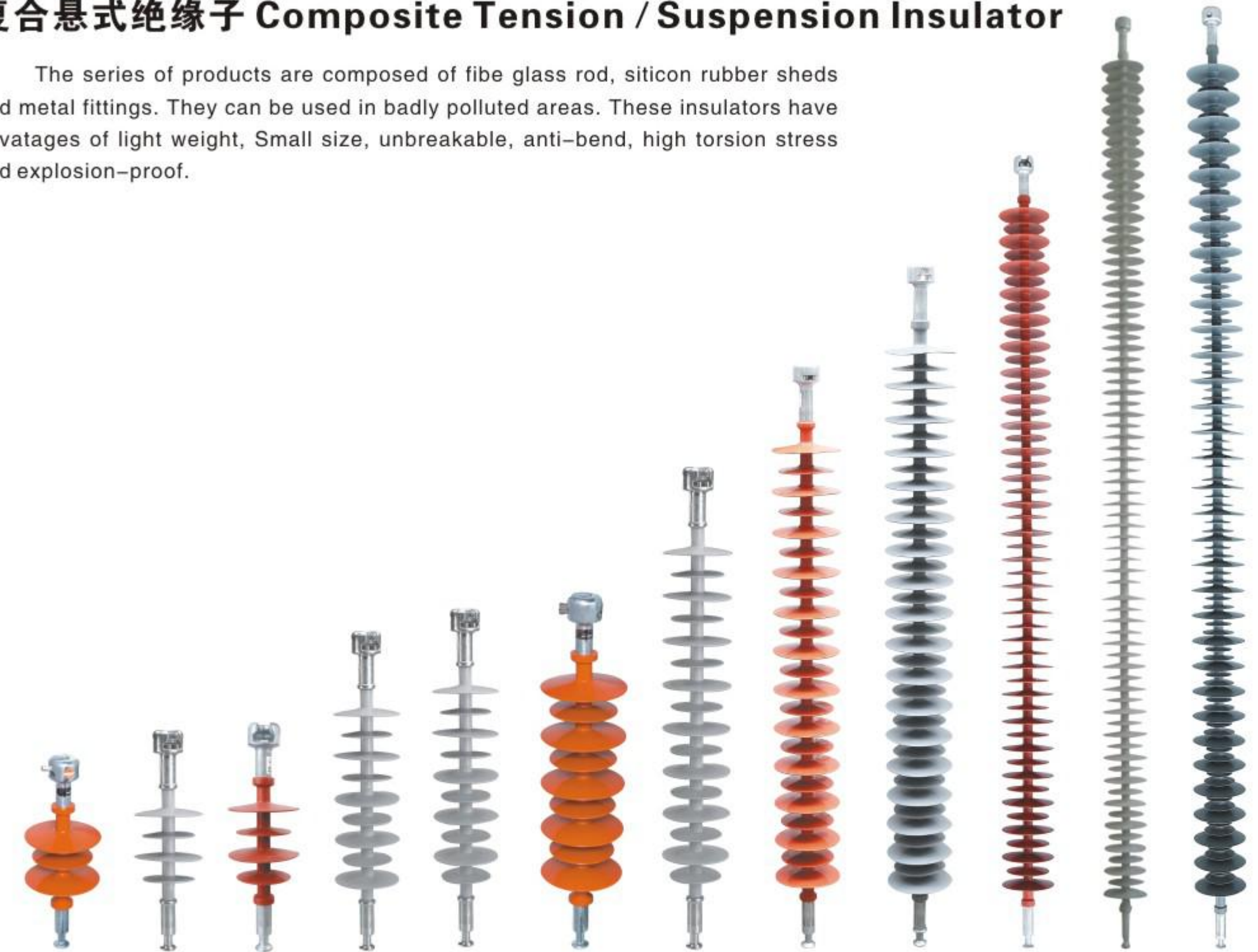
All the end fittings listed in the table below refer to what is stated in IEC 61466-1(02-1997) standard

TYPE	Code	70 kN	120 kN	160 kN	210 kN
	BALL B	Size 16 IEC 60120	Size 16 IEC 60120	Size 20 IEC 60120	Size 20 IEC 60120
	SOCKET S	Size 16 IEC 60120	Size 16 IEC 60120	Size 20 IEC 60120	Size 20 IEC 60120
	TONGUE T	Size 16N A=14.0 B=20.0 C=17.5	Size 19N A=16 B=27 C=24	Size 19N A=16 B=26 C=24	Size 22N A=22 B=26 C=24
	CLEVIS C	Size 16N A=18.0 B=8.00 C=34.8 D=17.5	Size 19N A=23.0 B=11.5 C=38.0 D=20.0	Size 19N A=23.0 B=11.5 C=38.0 D=20.0	Size 22N A=26.0 B=15.0 C=43.0 D=22.0
	EYE E	Size 17 A=44 B=20 C=31 D=45 E=12	Size 24 A=62 B=26 C=52 D=70 E=18	Size 24 A=62 B=26 C=52 D=70 E=18	Size 25 A=70 B=26 C=52 D=74 E=22
	Y- CLEVIS Y	Size 19 H=40	Size 19 H=40	Size 22 H=40	Size 22 H=40
	HOOK H	70KN			
	PIGTAIL P	20KN			

All this the end fittings are in hot dip galvanized steel.

复合悬式绝缘子 Composite Tension / Suspension Insulator

The series of products are composed of fiber glass rod, silicon rubber sheds and metal fittings. They can be used in badly polluted areas. These insulators have advantages of light weight, Small size, unbreakable, anti-bend, high torsion stress and explosion-proof.

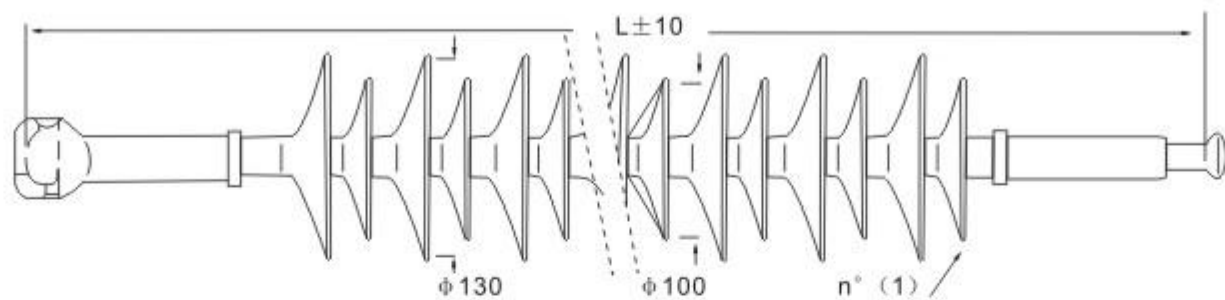


主要技术参数 Main Technical Parameters

产品型号 Model Type	额定电压 Rated Voltage (KV)	额定机械负荷 Rated Mechanical Load(KN)	结构高度 Structure Height H. (mm)	绝缘距离 Insulating Distance Li. (mm)	最小公称爬电距离 Min Creepage Distance (mm)	雷电冲击耐受电压峰值 Lightning Impulse Withstand Voltage(peak)/KV	工频耐受电压有效值 P.F Wet Withstand Voltage(virtual value) (KV)
FX□-11/20	11	20	330	240	850	80	50
FX□-12/40	12	40	285	155	360	75	35
FX□-13.8/45	13.8	45	330	165	445	80	65
FX□-15/70	15	70	360	200	480	75	42
FX□-23/45	23	45	445	270	667	185	110
FX□-25/70	25	70	445	285	667	185	115
FX□-33/80	33	80	615	442	1180	230	95
FX□-36/70	36	70	550	384	900	290	155
FX□-44/120	44	120	680	486	1547	250	95
FX□-66/70	66	70	1047	891	2500	350	200
FX□-69/100	69	100	780	590	1950	350	578
FX□-72/120	72	120	935	729	2014	410	185
FX□-110/70	110	70	1240	1030	3200	550	230
FX□-132/120	132	120	1480	1304	3158	600	245
FX□-138/110	138	110	1740	1540	4550	650	230
FX□-220/160	220	160	1922	1642	6100	1000	395
FX□-230/210	230	210	2870	2528	9200	1250	620
FX□-330/210	330	210	2950	2600	9075	1425	570
FX□-400/160	400	160	4225	3950	16000	1550	600
FX□-500/210	500	210	4080	3730	12750	2250	740

□ : represent end fitting code. (e.g. : SB ,CT ,CB ,SC ,YB ,YE ,YT ,EE ,HB , PB)

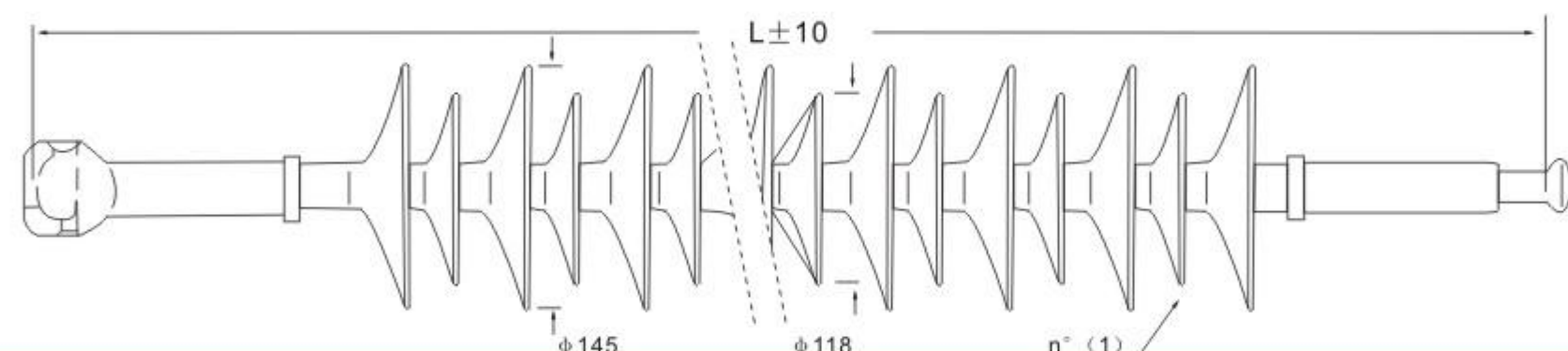
- Composite Suspension or Tension Insulator Silicone Rubber Type RL-can-*class 70kN or class 120kN



Dimensions tolerance acc. to IEC 61109

Selection Guide (Line Voltage, kv)		Catalogue Code	N° of Sheds A n° (1)	Length L ±10 mm	Leakage distance mm	Minimnn arcing distance mm	Power frequency withstand 50Hz		Lightning impul. Withstand 1,2/50		Weight ~kg
12	17						24	36	45	66	
		RL-CAN-*	2	325	295	166	65	55	100	110	1.5
		RL-CAN-*	3	366	435	207	75	60	130	140	1.6
		RL-CAN-*	4	407	540	248	85	70	160	170	1.7
		RL-CAN-*	5	448	680	289	100	85	180	200	1.8
		RL-CAN-*	6	489	785	330	110	100	200	230	1.9
		RL-CAN-*	7	530	925	336	120	110	220	250	2.0
		RL-CAN-*	8	571	1030	412	135	120	240	285	2.1
		RL-CAN-*	9	612	1170	453	150	130	260	315	2.2
		RL-CAN-*	10	653	1275	480	160	140	280	330	2.3
		RL-CAN-*	11	694	1415	535	175	155	305	355	2.4
		RL-CAN-*	12	735	1570	576	190	165	325	375	2.5
		RL-CAN-*	13	776	1660	617	215	180	340	395	2.6
		RL-CAN-*	14	817	1765	658	230	200	370	430	2.7
		RL-CAN-*	15	858	1905	699	250	220	410	465	2.8
		RL-CAN-*	16	899	2010	740	260	230	450	490	2.9
		RL-CAN-*	17	940	2150	781	280	250	480	520	3.0
		RL-CAN-*	18	981	2250	822	290	260	500	540	3.1
		RL-CAN-*	19	1022	2360	863	300	270	520	560	3.2
		RL-CAN-*	20	1063	2500	904	315	280	540	580	3.3
		RL-CAN-*	21	1104	2640	945	330	300	570	615	3.1

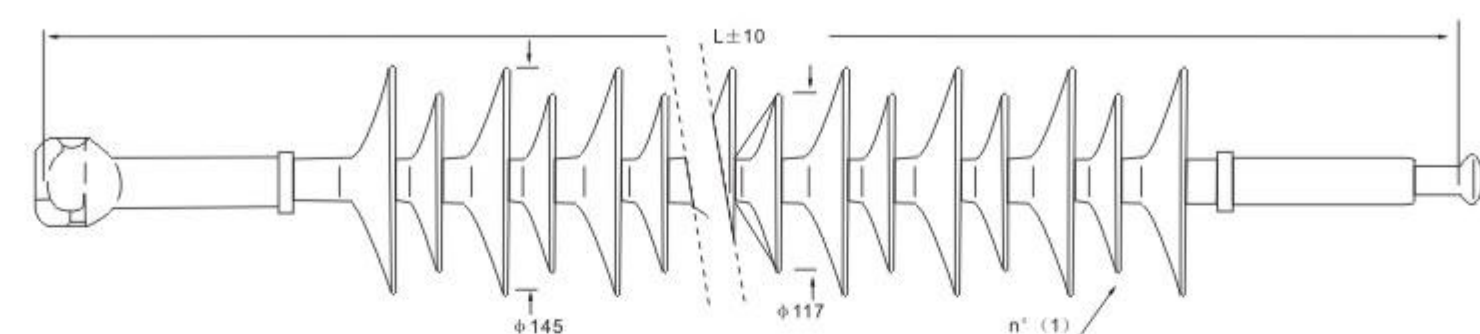
- Transmission Composite Suspension-Tension Insulators in Silicone Rubber Type RL-ROK-*class 70kN or class 120kN



Dimensions tolerance acc. to IEC 61109

Selection Guide (Line Voltage, kv)		Catalogue Code	N° of Sheds A n° (1)	Length L ±10 mm	Leakage distance mm	Minimnn arcing distance mm	Power frequency withstand 50Hz		Lightning impul. Withstand 1,2/50		Weight ~kg
72	123						145	170	250	400	
		RL-ROK-*	9+8	915	2312	690	275	195	460	495	4.4
		RL-ROK-*	10+9	1010	2584	765	310	230	515	550	4.9
		RL-ROK-*	12+11	1160	3128	915	340	265	570	615	5.4
		RL-ROK-*	14+13	1310	3672	1065	380	300	620	670	5.9
		RL-ROK-*	15+14	1385	3944	1140	415	335	670	725	6.4
		RL-ROK-*	17+16	1535	4488	1290	450	370	720	780	6.9
		RL-ROK-*	19+18	1685	5032	1440	485	405	770	835	7.4
		RL-ROK-*	21+20	1835	5576	1590	520	435	830	900	7.9
		RL-ROK-*	22+21	1910	5848	1665	565	475	915	990	8.4
		RL-ROK-*	24+23	2060	6392	1815	615	515	1000	1080	8.9
		RL-ROK-*	26+25	2210	6936	1965	645	545	1070	1155	9.4
		RL-ROK-*	27+26	2240	7208	2040	675	575	1140	1230	9.7
		RL-ROK-*	29+28	2435	7752	2190	710	605	1210	1310	10.4
		RL-ROK-*	31+30	2585	8296	2340	760	640	1270	1370	10.9
		RL-ROK-*	33+32	2735	8840	2490	810	675	1330	1430	11.4
		RL-ROK-*	35+34	2885	9384	2640	860	710	1390	1490	11.9
		RL-ROK-*	36+35	2960	9656	2715	875	720	1450	1565	12.4
		RL-ROK-*	38+37	3110	10200	2865	890	740	1520	1640	12.9
		RL-ROK-*	40+39	3260	10744	3015	905	750	1585	1715	13.4
		RL-ROK-*	42+41	3410	11288	3165	920	760	1650	1800	13.9

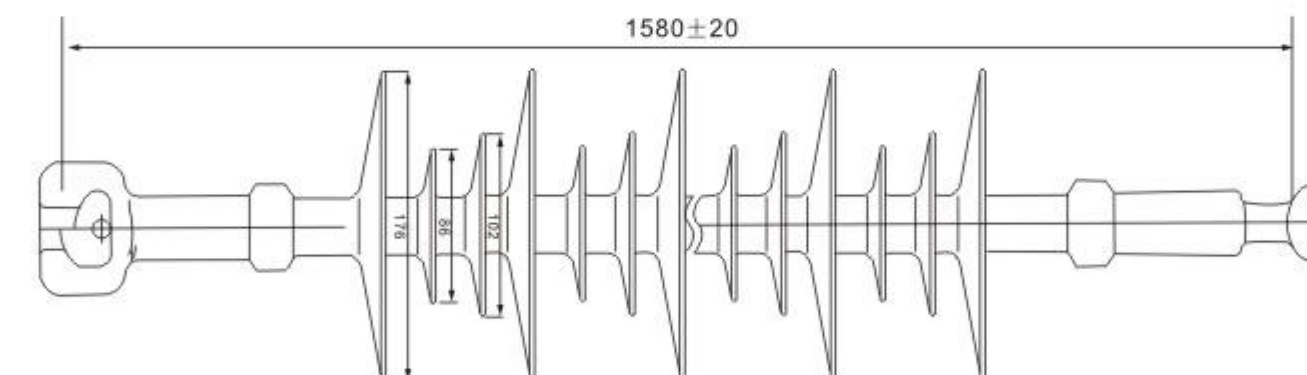
- Transmission Composite Suspension-Tension Insulators in Silicone Rubber Type RL-ROK-*class 160kN or class 210kN



Dimensions tolerance acc. to IEC 61109

Selection Guide (Line Voltage, kv)		Catalogue Code	N° of Sheds A n° (1)	Length L ±10 mm	Leakage distance mm	Minimnn arcing distance mm	Power frequency withstand 50Hz		Lightning impul. Withstand 1,2/50		Weight ~kg
72	123						145	170	250	400	
		RL-ROK-*	9+8	988	2375	778	275	195	460	495	4.4
		RL-ROK-*	10+9	1072	2650	862	310	230	515	550	4.9
		RL-ROK-*	12+11	1240	3200	1020	340	265	570	615	5.4
		RL-ROK-*	14+13	1408	3750	1198	380	300	620	670	5.9
		RL-ROK-*	15+14	1492	4025	1282	415	335	670	725	6.4
		RL-ROK-*	17+16	1660	4575	1450	450	370	720	780	6.9
		RL-ROK-*	19+18	1828	5125	1618	485	405	770	835	7.4
		RL-ROK-*	21+20	1996	5675	1786	520	435	830	900	7.9
		RL-ROK-*	22+21	2080	5950	1870	565	475	915	990	8.4
		RL-ROK-*	24+23	2248	6500	2038	615	515	1000	1080	8.9
		RL-ROK-*	26+25	2416	7050	2206	645	545	1070	1155	9.4
		RL-ROK-*	27+26	2500	7325	2274	675	575	1140	1230	9.7
		RL-ROK-*	29+28	2668	7875	2458	710	605	1210	1310	10.4
		RL-ROK-*	31+30	2836	8425	2626	760	640	1270	1370	10.9
		RL-ROK-*	33+32	3004	8975	2784	810	675	1330	1430	11.4
		RL-ROK-*	35+34	3172	9525	2962	860	710	1390	1490	11.9
		RL-ROK-*	36+35	3256	9800	3046	875	720	1450	1565	12.4
		RL-ROK-*	38+37	3424	10350	3214	890	740	1520	1640	12.9
		RL-ROK-*	40+39	3592	10900	3382	905	750	1585	1715	13.4
		RL-ROK-*	42+41	3760	11450	3550	920	760	1650	1800	13.9

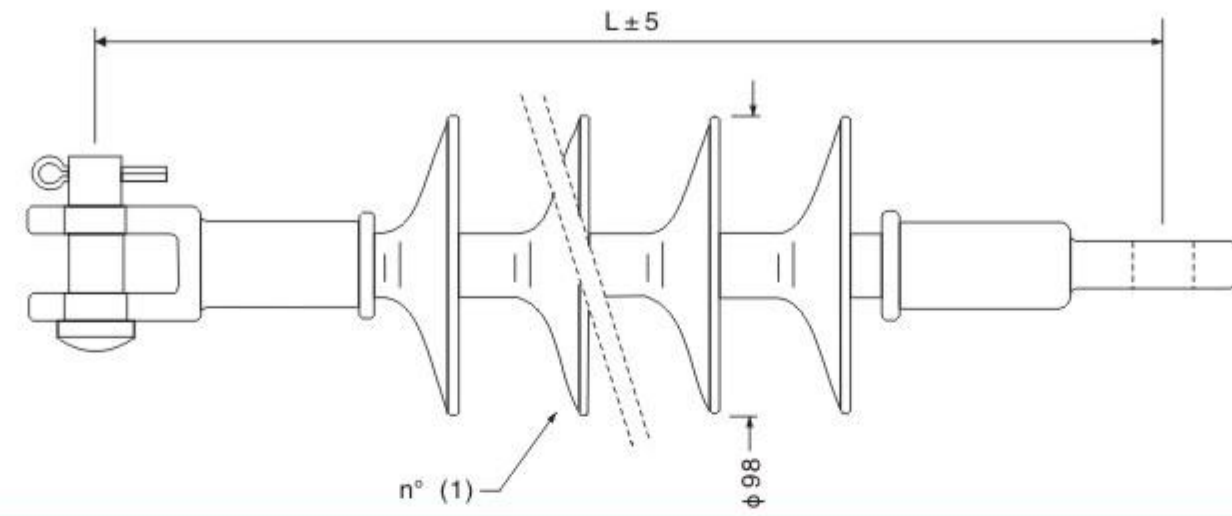
- Transmission Composite Suspension-Tension Insulators in Silicone Rubber Type RL-SOR-*class 300 kN



Dimensions tolerance acc. to IEC 61109

Selection Guide (Line Voltage, kv)		Catalogue Code	N° of Sheds A n° (1)	Length L ±10 mm	Leakage distance mm	Minimnn arcing distance mm	Power frequency withstand 50Hz		Lightning impul. Withstand 1,2/50		Weight ~kg
115	145						170	345	420	500	
		RL-SOR-*	7+6+6	916	1920	628	350	275	580	625	3.6
		RL-SOR-*	9+8+8	1082	2560	844	385	300	620	670	4.4
		RL-SOR-*	11+10+10	1248	3200	1010	415	335	670	725	5.2
		RL-SOR-*	13+12+12	1414	3840	1176	455	375	725	785	6.1
		RL-SOR-*	15+14+14	1480	4480	1342	480	400	765	930	6.9
		RL-SOR-*	17+16+16	1746	5120	1508	525	440	840	910	7.8
		RL-SOR-*	19+18+18	1912	5760	1674	570	480	920	995	8.6
		RL-SOR-*	21+22+22	2078	6400	1840	610	510	990	1070	9.5
		RL-SOR-*	23+22+22	2244	7040	2006	645	545	1050	1155	10.3
		RL-SOR-*	25+24+24	2410	7680	2172	685	585	1150	1240	11.1
		RL-SOR-*	27+26+26	2576	8320	2338	700	595	1200	1300	12.0
		RL-SOR-*	29+28+28	2742	8960	2504	740	620	1250	1350	12.8
		RL-SOR-*	31+30+30	2908	9600	2670	815	660	1340	1440	13.7
		RL-SOR-*	33+32+32	3074	10240	2836	845	685	1380	1480	14.5
		RL-SOR-*	35+34+34	3240	10880	3002	865	710	1485	1585	15.4
		RL-SOR-*	37+36+36	3406	11520	3168	900	750	1670	1820	16.2
		RL-SOR-*	39+38+38	3572	12160	3334	930	780	1760	1860	17.0
		RL-SOR-*	41+40+40	3738	12800	3500	960	820	1780	1930	17.9
		RL-SOR-*	43+42+42	3904	13440	3666	1140	1020	2030	2110	18.7
		RL-SOR-*	47+46+46	4236	14720	3998	1280	1100	2400	2510	19.5

• Composite Dead End Insulator In Silicone Rubber Type RL-SLY-* class 70 kN



Dimensions tolerance acc to IEC 61109

Selection Guide (Line Voltage, kN)	Catalogue	n° of Sheds	Length L	Leakage distance	Dry are distance	Power frequency withstand 50Hz		Lightning impul withstand 1,2/50		Weight
	RL-SLY-*	2	258	220	132	65	55	105	120	1.3
	RL-SLY-*	3	305	333	179	75	65	120	135	1.4
	RL-SLY-*	4	352	445	226	85	75	135	150	1.5
	RL-SLY-*	5	399	560	273	95	85	155	185	1.6
	RL-SLY-*	6	466	740	320	110	100	185	215	1.7
	RL-SLY-*	7	493	780	364	125	110	210	240	1.8
	RL-SLY-*	8	540	886	414	140	120	235	270	1.9
	RL-SLY-*	9	587	996	460	150	140	260	290	2.0
	RL-SLY-*	10	634	1100	508	165	150	275	305	2.1

Note: we can made this insulator with SML of 45 kN

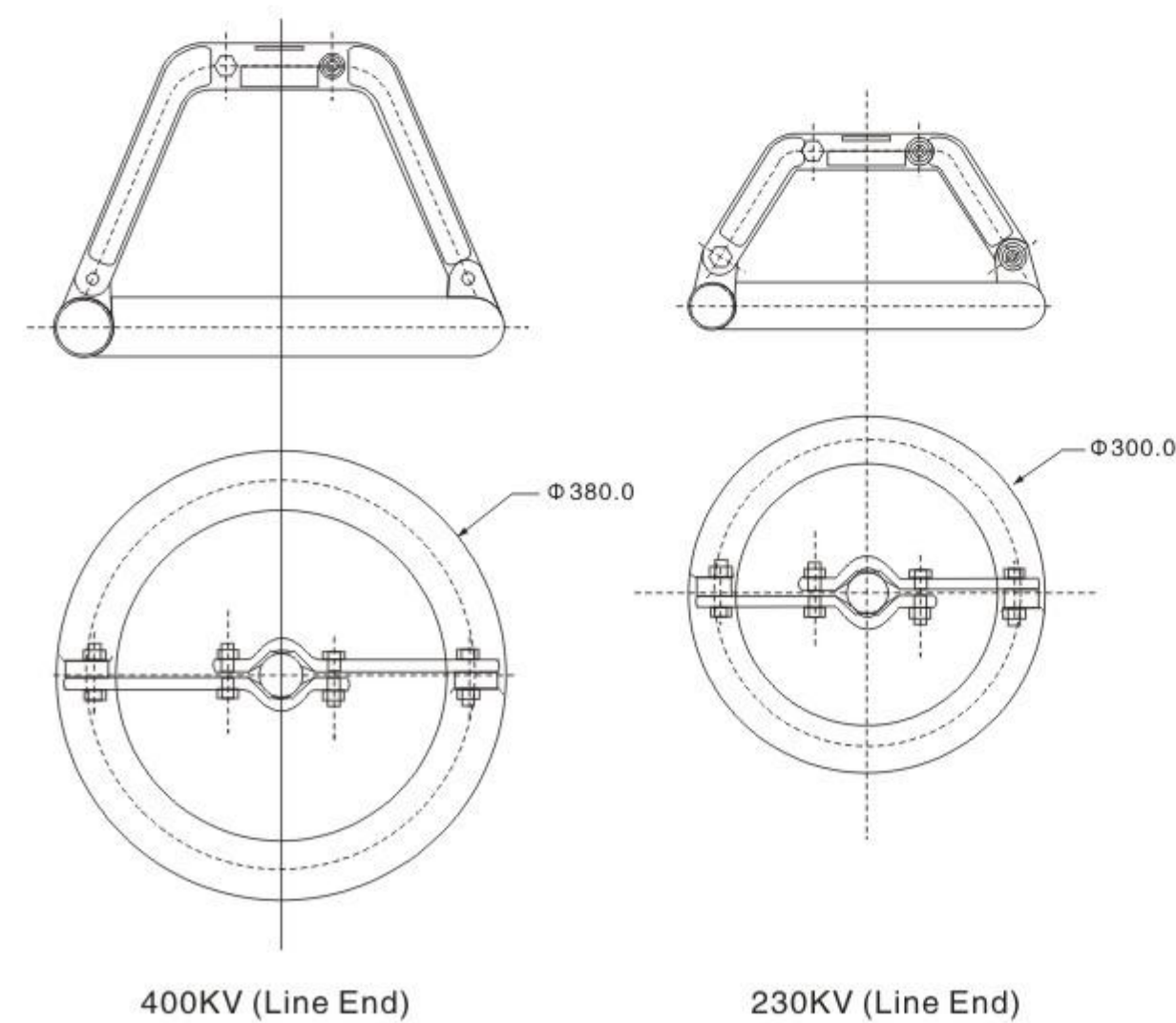


均压环 Corona Ring



Recommended Corona Ring Application

Rated voltage	132 KV	230 KV	400 KV
Line end	NO	YES	YES
Ground end	NO	NO	YES
Part number suffix	Z	Y	X



The design of the Corona ring is done by accurate digital assimilation in order to reduce and to balance the electrical field around and no the insulator's sheds. The Corona ring is made of aluminum which is resistant against harsh weather conditions; it is polished for the reasons of reducing Corona and partial discharge. The utilized bolts and arms in Corona ring all are made of stainless steel in order to be anti-corrosion. The special design of the Corona ring makes impossible any inaccuracy in its installation. The special design of the company's insulators is in a way that does not require Corona ring up to 132 KV, which is, however, possible to install Corona ring in this rate of Voltage upon the request of the consumer.

复合针式绝缘子 Composite Pin Insulator



本产品适用于高压线路设施。具有良好的憎水性、抗老化性、耐漏电起痕性和耐电蚀损性，具有很高的抗张强度和抗弯强度，其机械强度高，抗冲击性能、防震和防脆断性能好，重量轻、安装方便，其顶部和底部安装尺寸与相应的瓷针式安装尺寸相同，可以互换使用。

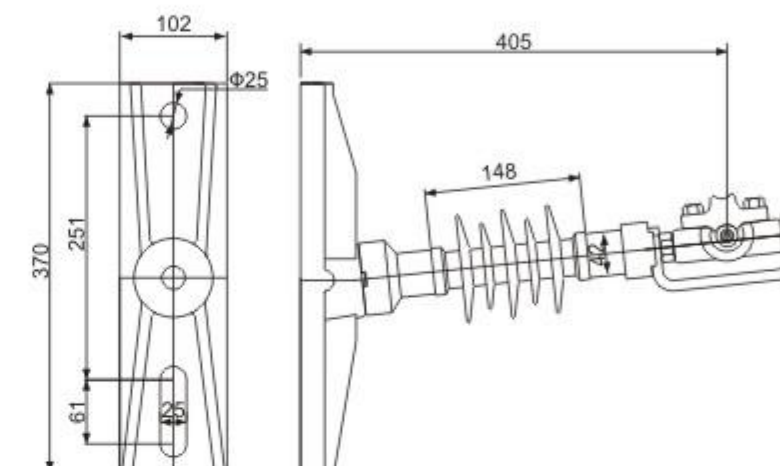
This product is applied to high voltage power line service. And have features of good hydrophobicity, anti-ageing, anti-leakage trace and electric erode proof, tensile strength and bending strength, strong mechanical strength, shock resistance good quakeproof and brittle failure proof, light weight, easy to installation, and the installation size of top and base are the same size with porcelain in type, they can exchange to use each other

主要技术参数 / Main Technical Parameters

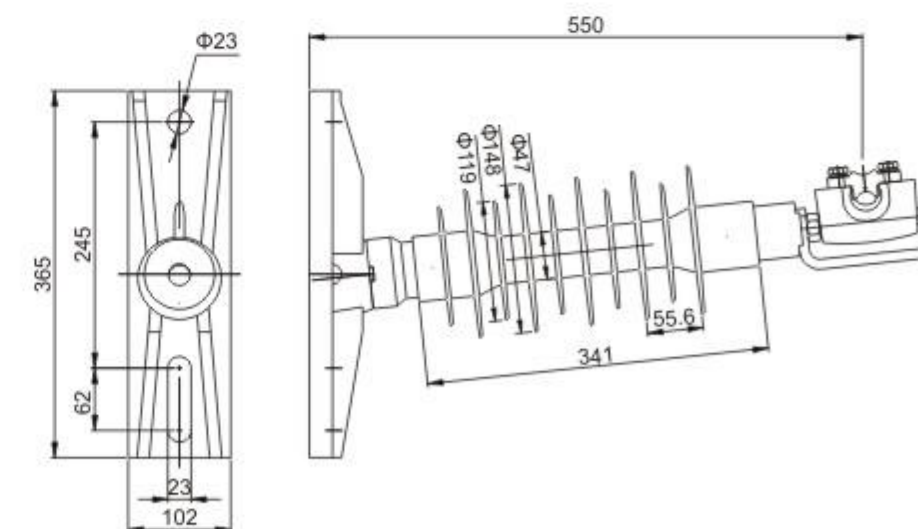
产品型号 Model Type	额定电压 Rated Voltage (KV)	抗弯强度 Cantilever Strength (KN)	结构高度 Structure Height H. (mm)	绝缘距离 Insulating Distance Li. (mm)	最小公称爬电距离 Min Creepage Distance (mm)	雷电冲击耐受电压峰值 Lightning Impulse Withstand Voltage(peak)/KV	工频耐受电压有效值 P.F Wet Withstand Voltage(virtual value) (KV)
FPQ-10/4T20	10	4	215	125	280	75	42
FPQ-10/5T20	10	5	250	165	420	105	42
FPQ-11/10	11	10	215	142	320	95	46
FPQ-15/8	15	8	247	160	465	95	42
FPQ-15/11	15	11	226	150	320	95	42
FPQ-24/4	24	4	305	255	715	150	75
FPQ-24/8	24	8	312	215	770	170	75
FPQ-36/8	36	8	440	320	1000	185	95
FPQ-35/10	35	10	405	305	900	250	105
FPQ-36/12.5	36	12.5	550	428	1089	250	105
FPQ-52/12	52	12	480	415	1255	220	110

Composite Line post Insulator

• Composite Horizontal Line Post Insulator in Silicone Rubber Type RL-FC-*



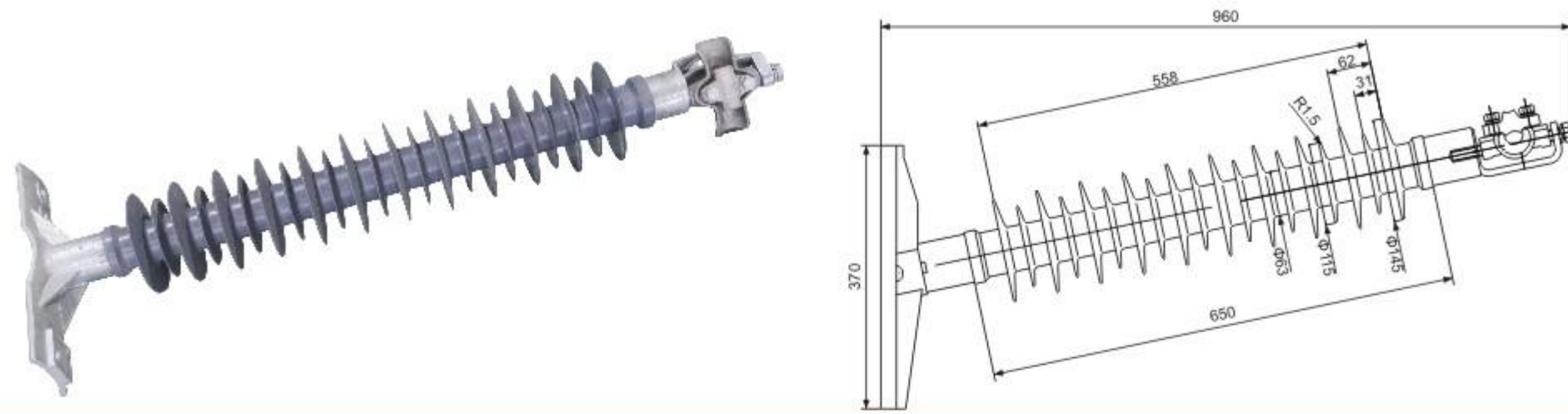
11KV Line Post Insulator					15KV Line Post Insulator				
Nominal System Voltage	Frequency	Cantilever Strength	Min. Creepage Distance	Standard	Nominal System Voltage	Frequency	Cantilever Strength	Min. Creepage Distance	Standard
11KV	50/60Hz	10KN	400mm	IEC61952	15KV	50/60Hz	10KN	400mm	IEC61952



24KV Line Post Insulator					33KV Line Post Insulator				
Nominal System Voltage	Frequency	Cantilever Strength	Min. Creepage Distance	Standard	Nominal System Voltage	Frequency	Cantilever Strength	Min. Creepage Distance	Standard
24KV	50/60Hz	10KN	400mm	IEC61952	33KV	50/60Hz	10KN	1120mm	IEC61952

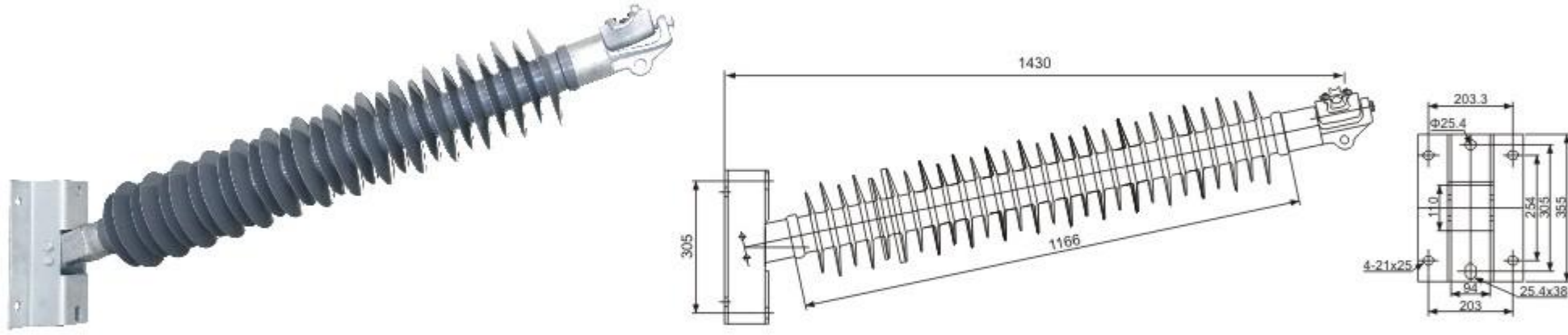
Composite Line post Insulator

• Composite Horizontal Line Post Insulator in Silicone Rubber Type RL-FC-*



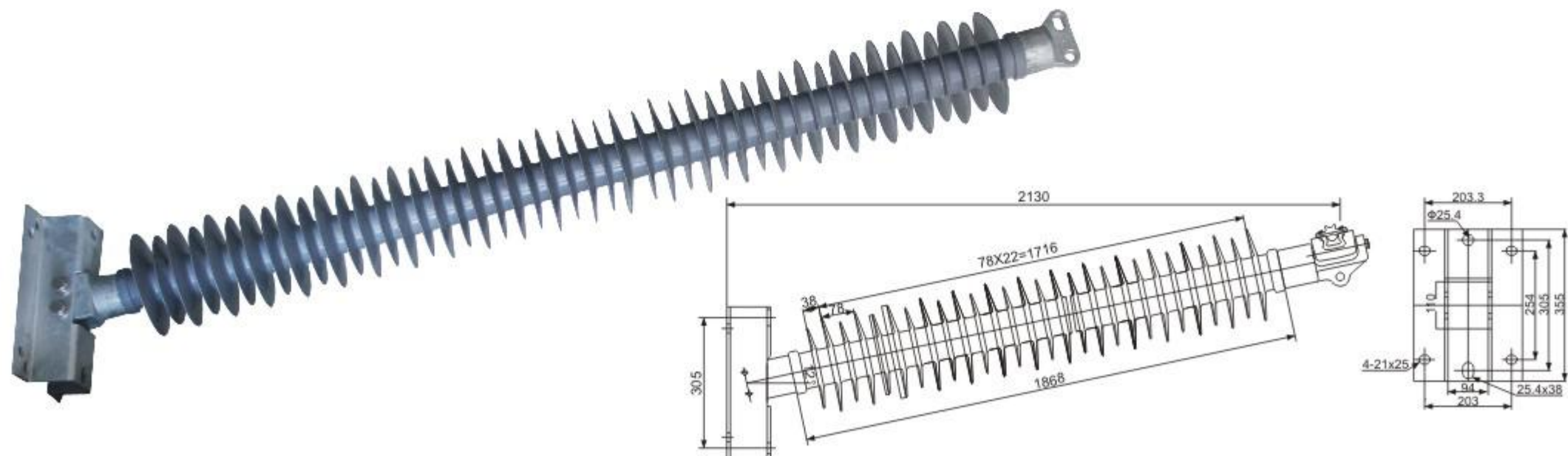
66-72KV LINE POST INSULATOR

Housing Materials	Endfitting Materials	Rod Materials	Net Weight	Power frequency withstand voltage dry one minute	wet one minute	Lightning impulse withstand voltage	Maximum design Cantilever Load	Creepage Distance
Silicone Rubber	Steel & Alu	Fiber Glass	11.5KGS	215kV	170kV	350kV	10.5kN	1950mm



132KV LINE POST INSULATOR

Normal System Voltage	Highest System Voltage	Cantilever strength	Tensile strength	Leakage distance	Dry arcing distance	Overall length	Impulse Test Voltage Positive	Impulse Test Voltage Negative	Power Frequency Dry Flashover Voltage	Power Frequency Wet Flashover Voltage
132KV	145KV	12KN	10KN	4292MM	1166MM	1298MM	874KV	930KV	529KV	470KV



220KV LINE POST INSULATOR

Nominal System Voltage	Highest System Voltage	Cantilever strength	Tensile strength	Leakage distance	Dry arcing distance
220KV	245KV	8KN	6KN	7060MM	1868MM

复合支柱绝缘子 Composite post Insulator



主要技术参数 / Main Technical Parameters

产品型号 Product Model	额定电压 Rated Voltage (KV)	额定机械负荷 Rated mechanical Bending load(KN)	结构高度 Structure height H.(mm)	绝缘距离 Insulating distance Li.(mm)	最小公称爬电距离 Min Creepage distance (mm)	伞径 Diameter of shed D.(mm)	雷电冲击耐受电压峰值 Lightning impulse withstand voltage (peak)(kV)	工频耐受电压有效值 P.F.withstand voltage (virtual value)(kV)
FZSW-10/4	10	4	215	125	290	100/90	75	42
FZSW-24/8	24	8	300	220	750	133/93	150	65
FZSW-35/6	35	6	450	360	946	148/118	185	95
FZSW-66/6	66	6	760	630	1886	160/130	410	185
FZSW-66/10	66	10	760	630	2010	220/190	410	185
FZSW-110/10	110	10	1220	1080	3530	220/190	500	230
FZSW-220/8	220	8	2440	2200	7060	220/190	1000	395

电气化铁道用复合绝缘子/Composite Insulator for electric-railway

本产品适用于运行条件复杂的电气化铁路隧道，能有效地防止污闪事故，减少清扫维护工作量。由于其尺寸小，在隧道净空较小时，是瓷，玻璃绝缘子无法替代的产品。

The products are suitable for electric-railway of complex operation conditions, can effectively prevent flash accidents and decrease the times of clear and maintenance. because of small volume, and when in the tunnel is clear products of porcelain, glass insulator can not instead of it.

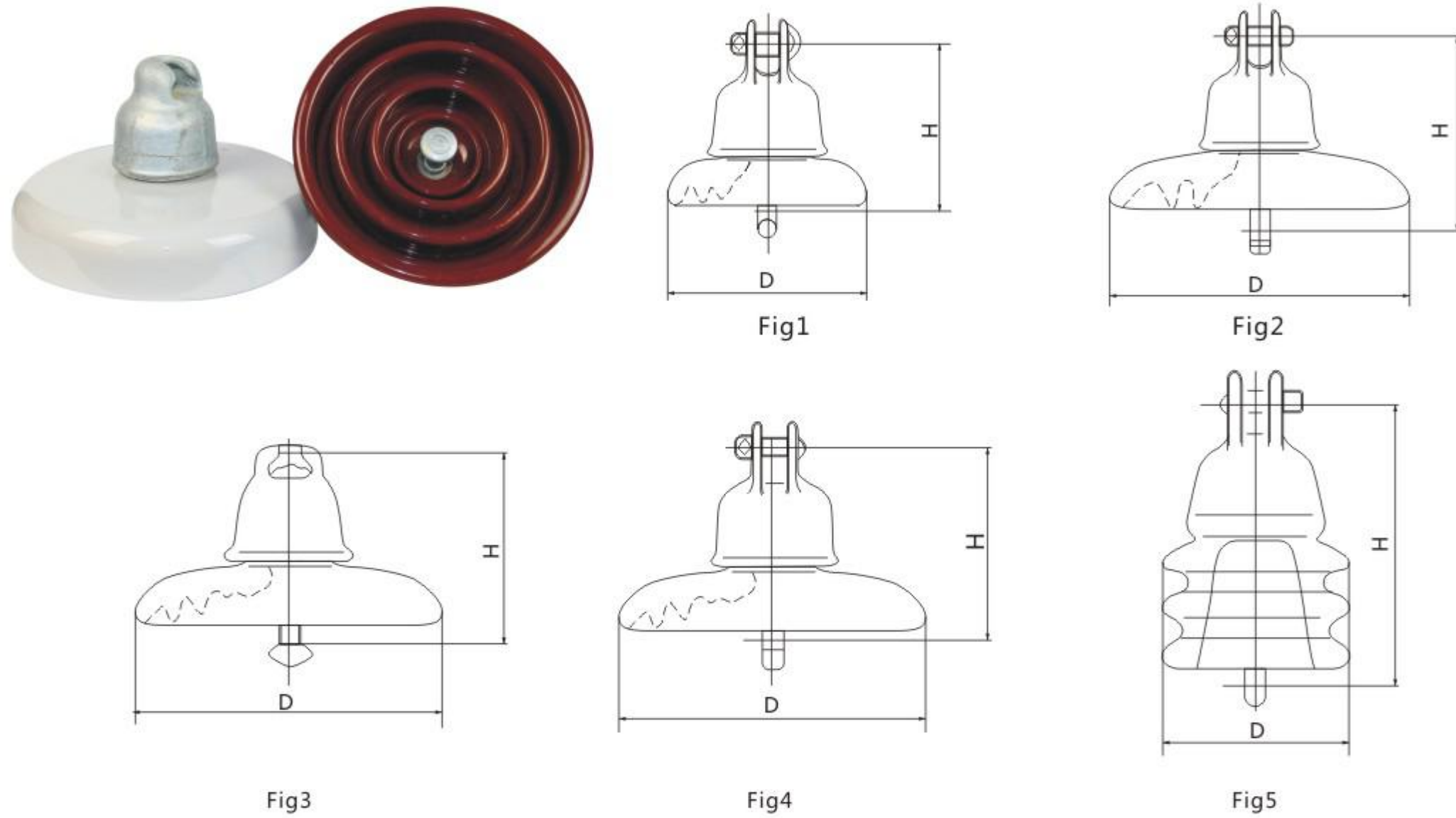


主要技术参数 / Main Technical Parameters

产品型号 Product Model	额定电压 Rated Voltage (KV)	额定机械负荷 Rated mechanical Bending load(KN)	雷电冲击耐受电压峰值 Lightning impulse withstand voltage (peak)(kV)	工频耐受电压有效值 P.F.wet withstand voltage(virtual value) (kV)	最小公称爬电距离 Min Creepage distance (mm)	结构高度 Structure height H.(mm)
FQX1-25	25	60	270	130	1400	650
FQX2-25	25	60	270	130	1400	840
FQX3-25	25	60	270	130	1400	930
FQX4-25	25	60	270	130	1400	645
FQE1-25	25	60	270	130	1400	760
FQE2-25	25	60	270	130	1400	806
FQE3-25	25	60	270	130	1400	836
FQE4-25	25	60	270	130	1400	695

A2 瓷绝缘子 Porcelain Insulators

瓷悬式绝缘子 Porcelain suspension Insulator



主要性能和尺寸 / Main Particulars and Dimensions											
美标等级		Class ANSI	52-1	52-2	52-3	52-4	52-5	52-6	52-8	52-9	52-10
图号		Fig.NO	1	2	3	4	3	4	3	5	4
主要尺寸 Main dimensions (mm)		D	165	190.5	254	254	254	254	254	108	280
		H	140	146	146	146	146	146	146	160	165
泄露距离		Leakage distance/mm	178	210	292	292	292	292	320	171	280
工频击穿电压		Power-frequency puncture Voltage (KV)	80	90	110	110	110	110	110	80	110
平均闪络电压 Average flashover voltage	工频 Power-frequency	干 Dry (KV)	60	65	80	80	80	80	80	60	80
		湿 Wet (KV)	30	35	50	50	50	50	50	30	50
	临界冲击 Critical-Impulse 15x40us Wave	正极性 Positive (KV)	100	115	125	125	125	125	125	125	100
		负极性 Negative (KV)	100	115	130	130	130	130	130	130	90
无线电干扰电压 Radio-influence voltage	对地实验电压	Test voltage to ground (KV)	7.5	7.5	10	10	10	10	10	7.5	10
	1000千赫的最大无线电干扰电压 Maximun RIV at 1000kHz (KV)		50	50	50	50	50	50	50	50	50
额定机电破坏负荷	Rated E& M failing loat (kN)		45	70	70	70	111	111	160	45	160
例行拉伸负荷	Tension proof load (kN)		22	35.5	35.5	35.5	55.5	55.5	80	22	80
打击破坏负荷	Impact strength (N.m)		5	6	6	6	7	7	10	5	10
重量	Weight (kg)		2.5	3.9	4.6	4.9	5.6	5.9	6.9	2.6	7.2

ANSI Strain Insulators For Lines



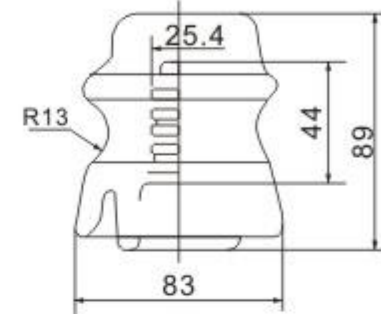
Main Dimensions and Standard Particulars						
Fig No.		2	2	2	1	
CLASS ANSI		54-1	54-2	54-3	54-4	
Main Dimensions (mm)	H	89	108	140	171	
	h	44	57	67	79	
	h1	64	76	103	114	
	D	64	73	86	89	
	d	44	54	60	60	
Mechanical Failing Load(KN)		44	53	89	89	
Leakage Distance (mm)		41	47	57	76	
Flashover Voltage	Power Frequency	Dry (kv)	25	30	35	40
		Wet (kv)	12	15	18	23
Weight(kg)		0.5	0.65	1.2	2.2	

ANSI Spool Insulators

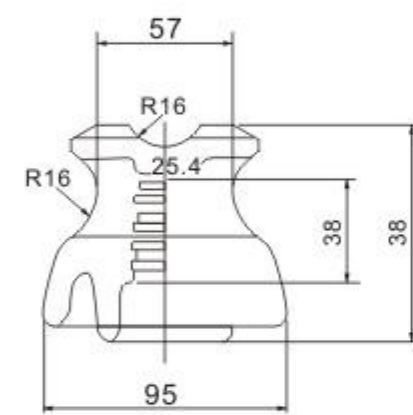


Main Dimensions and Standard Particulars								
Fig No.		4	1	1	1	3		
CLASS ANSI		53-1	53-2	53-3	53-4	53-5		
Main Dimensions (mm)	H	54	76	81	76	105		
	h	27	38	40.5	38	52.5		
	D	57	79	76	105	102		
	d	45	45	45	73	73		
	d1	18	18	18	18	18		
	d2	22	24	24	24	24		
Mechanical Failing Load(KN)		8.9	13.8	17.8	20	26.7		
Minimum Flashover Voltage	Power Frequency	Dry (kv)		20	25	25	25	35
		Wet (kv)	Upright	8	12	12	12	18
			Level	10	15	15	15	25
Weight(kg)		0.22	0.55	0.60	1.15	1.20		

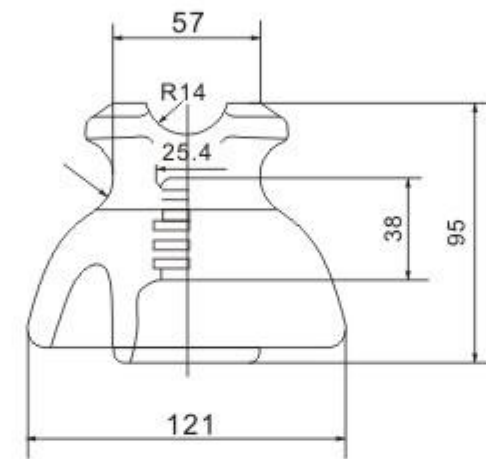
瓷针式绝缘子 Porcelain Pin Type Insulator



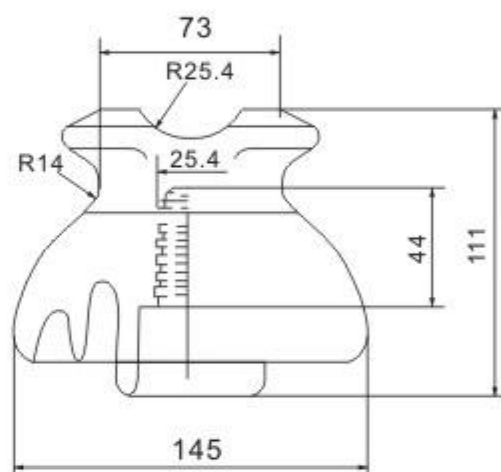
55-1



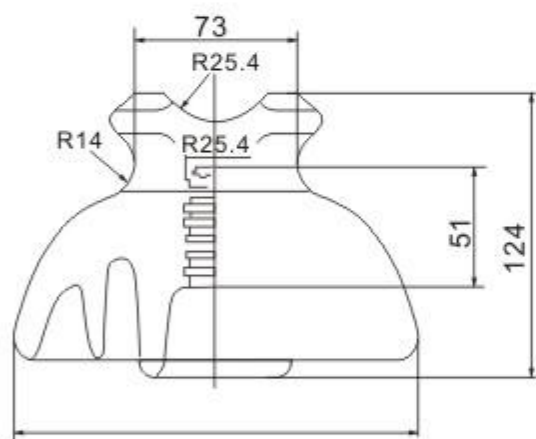
55-2



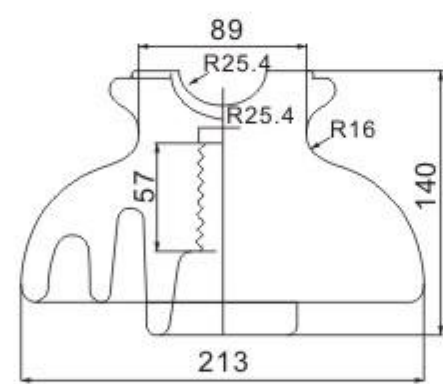
55-3



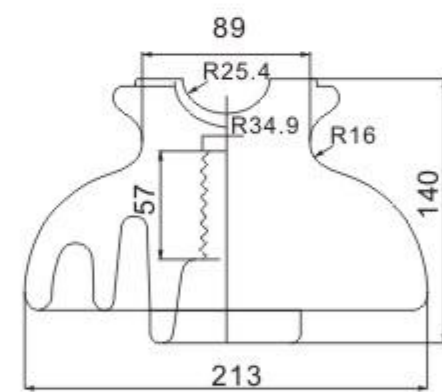
55-4



55-5



55-6

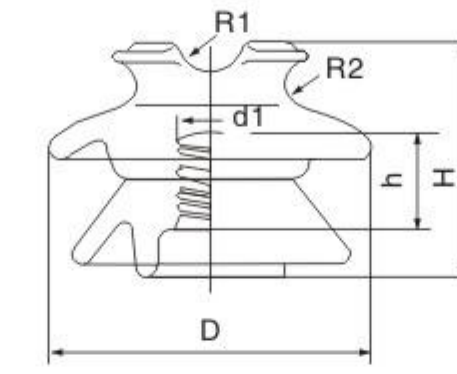


55-7

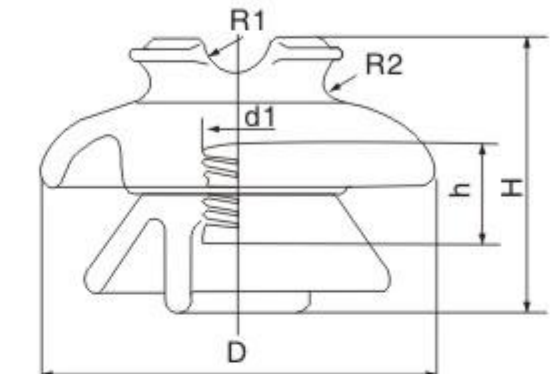
主要性能和尺寸 Main Particulars and Dimensions

Type	产品型号	55-1	55-2	55-3	55-4	55-5	55-6	55-7
Creepage Distance	爬电距离	mm	107	127	178	229	305	381
Dry Arcing Distance	干弧距离	mm	57	86	114	127	159	203
Cantilever Strength	机械弯曲强度	kN	13	11	11	13	13	13
低频闪络电压 Low Frequency Flashover Voltage	干闪 Dry	KV	35	45	56	65	80	100
	湿闪 Wet	KV	20	25	30	35	45	50
临界冲击闪络 Critical Impulse Flashover Voltage	正极性 Positive	KV	50	70	90	105	130	150
	负极性 Negative	KV	70	85	110	130	150	170
工频击穿电压 Power-frequency puncture voltage		KV	50	70	90	95	115	135
无线电干扰电压 Radio-influence voltage	对地实验电压 Test voltage to ground	KV	5	5	10	10	15	22
	1000千赫的最大 Maximun RIV at 1000kHz		50	50	50	50	100	100
Net weight	净重	kg	0.5	0.65	1	1.55	2.75	4.15
Applicable standard	执行标准		ANSI					

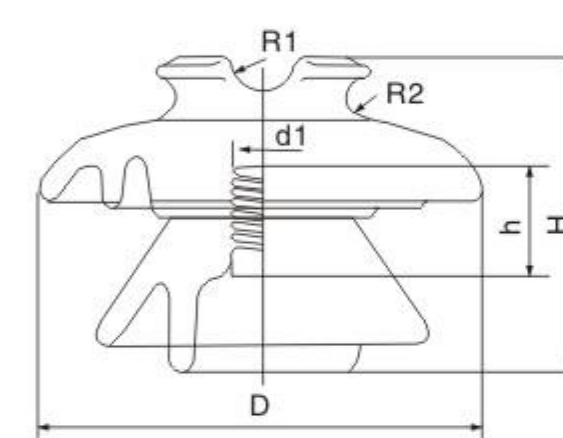
瓷针式绝缘子 Porcelain Pin Type Insulator



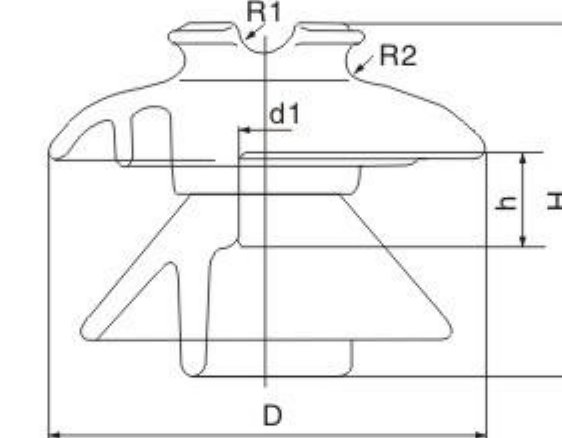
56-1



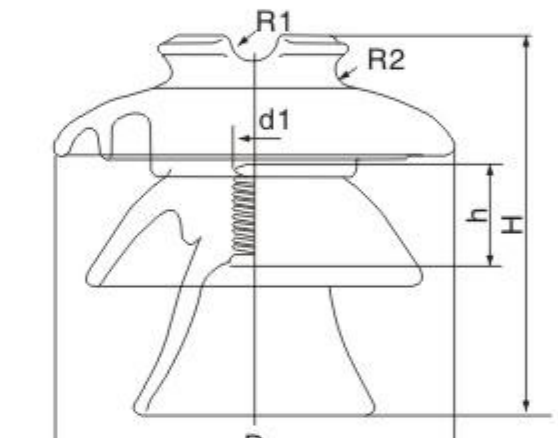
56-2



56-3



56-4

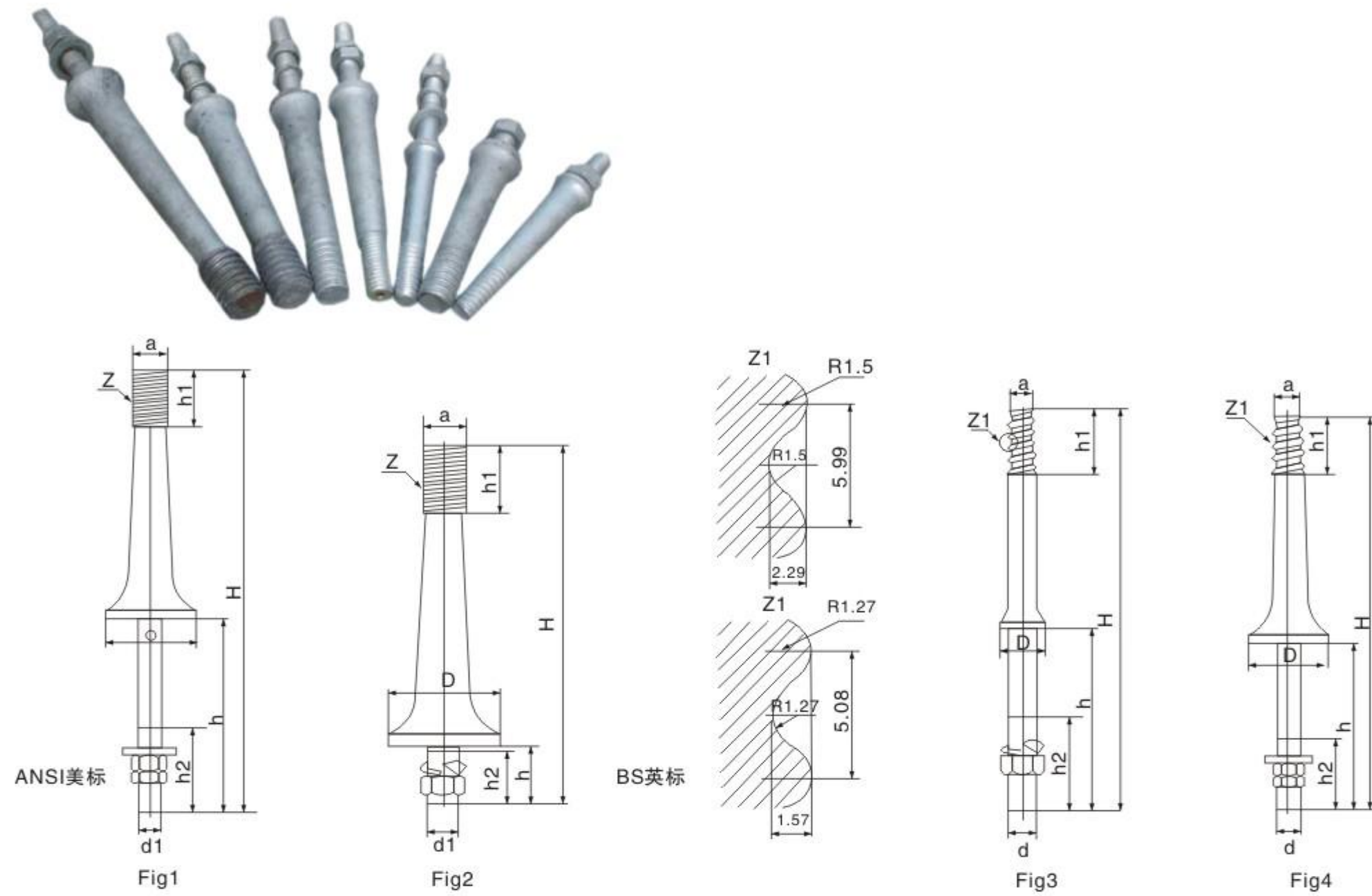


56-5

主要性能和尺寸 Main Particulars and Dimensions

Type	产品型号	56-1	56-2	56-3	56-4	56-5
主要尺寸 Main Dimensions (mm)	H	146	165	191	241	318
	h	50.8	50.8	50.8	50.8	63.5
	D	191	228	267	305	343
	d1	34.9	34.9	34.9	34.9	34.9
	R1	19	19	19	19	19
	R2	14	14	14	14	14
Nomomal Voltage 额定电压	KV	23	23	35	46	69
Creepage Distance 爬电距离	mm	330	430	533	685	865
Minimum Flashover Voltage 闪电电压(不小于)	Power frequency 工频电压	DRY 干 KV	95	110	125	140
	Wet 湿 KV	60	70	80	95	125
Radio-influence -voltage Data 无线电干扰电压	Test Voltage to Ground 对地实验 KV	50%Impulse 50%临界冲击	Positive 正极性 KV	150	175	200
		Negative 负极性KV	190	225	265	310
Power Frequency Punctuer Voltage 工频击穿电压 KV	Maximum RIV at 1000KHz 1000千赫时最大	100	100	200	200	200
	Dry Arcing Distance 干弧距离 mm	130	145	165	186	225
Cantilever Failing Load 抗弯强度 KN		178	210	241.3	285	356
Net Weight 净重 kg		11	13	13	13	13
Applicable standard 执行标准		3.7	5.3	7	10.8	13.5
		ANSI				

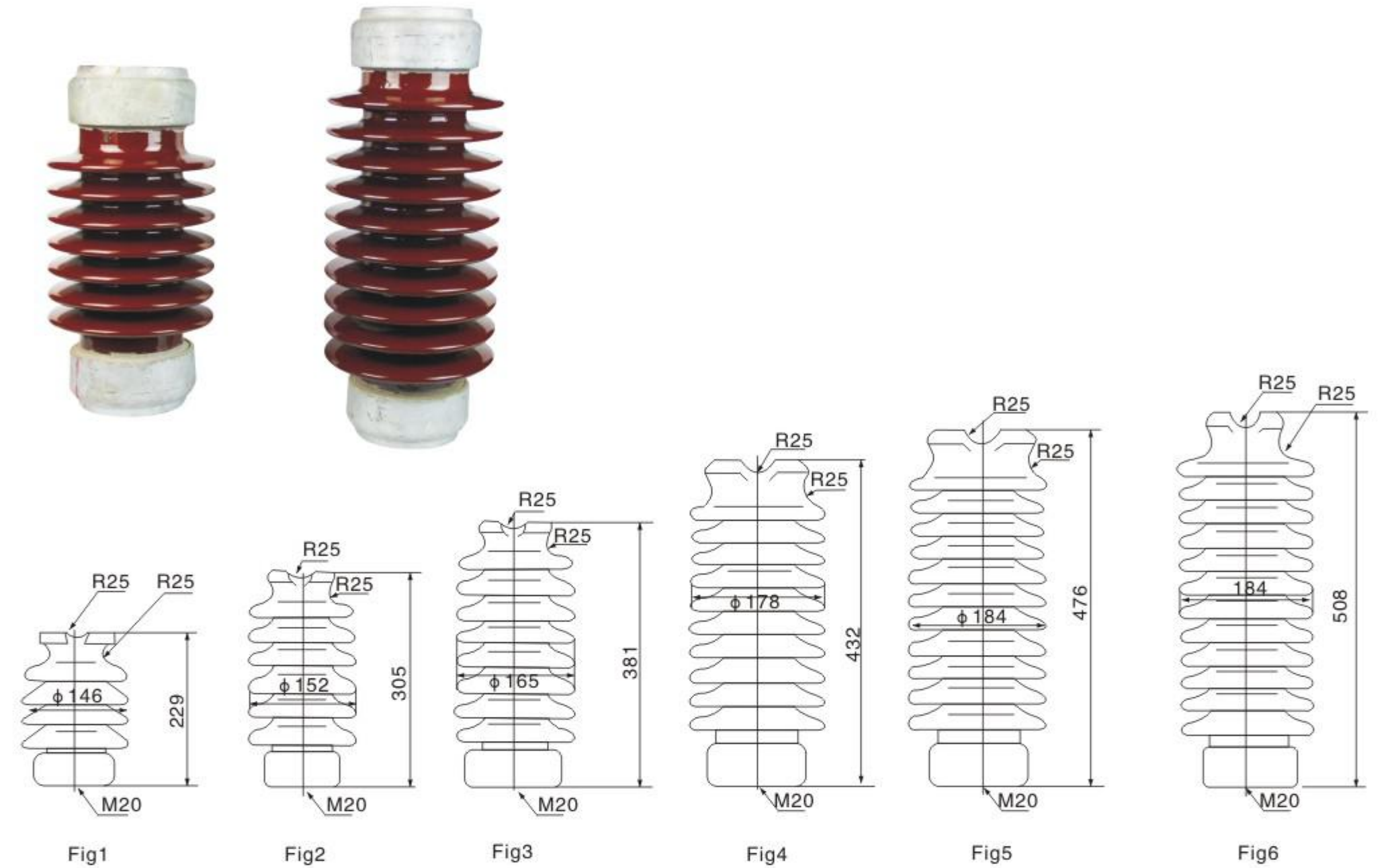
高压线路针式绝缘子钢脚 Spindle For Pin Type Insulator



主要性能和尺寸 Main Particulars and Dimensions

图号 Fig	主要尺寸 Main dimensions in							机械破坏负荷 Mechanical strength (kn)	美标等级 Class ANSI	重量 Weight kg
	H	D	h	h1	h2	a	d2			
1	330	76	178	51	76	14.9	20	11	56=1	1.9
1	356	76	178	51	76	34.9	20	9	56-2	2.2
1	407	89	178	51	76	34.9	20	10	56-3	2.5
1	432	89	178	51	76	34.9	20	9	56-4	3.25
1	343	45	165	51	76	34.9	20	6	56-2	1.6
2	198	76	45	51	40	34.9	20	11	56-1	1.54
2	223	76	45	51	40	34.9	20	9	56-2	1.87
2	274	89	45	51	40	34.9	20	10	56-3	2.17
2	299	89	45	51	40	34.9	20	9	56-4	2.7
2	223	45	45	51	40	34.9	20	6	56-2	1.3
1	356	76	76	51	76	34.9	16	5	56-2	1.9
3	305	38	140	74	44.45	18.29	20	5	BS small steel	1
3	352	41	127	80	44.45	18.29	22	5		1.2
3	215	38	50	44	44.45	18.29	20	5		0.75
4	261	60	46	47	41	27.78	22	10	BS large steel	1.5
4	369	51	140	47	78	27.78	22	10		2

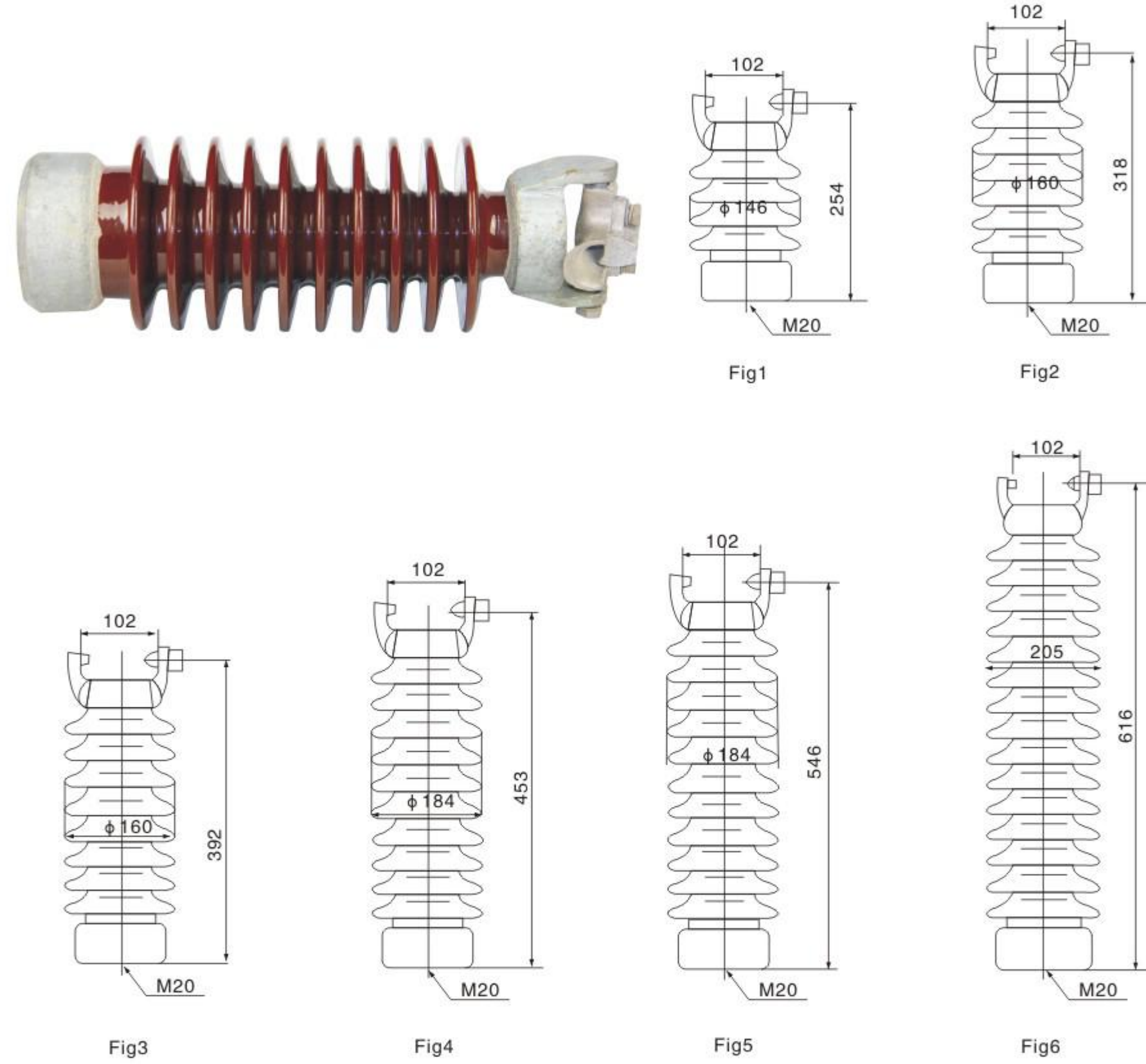
高压线路支柱绝缘子 Porcelain Line Post Insulator



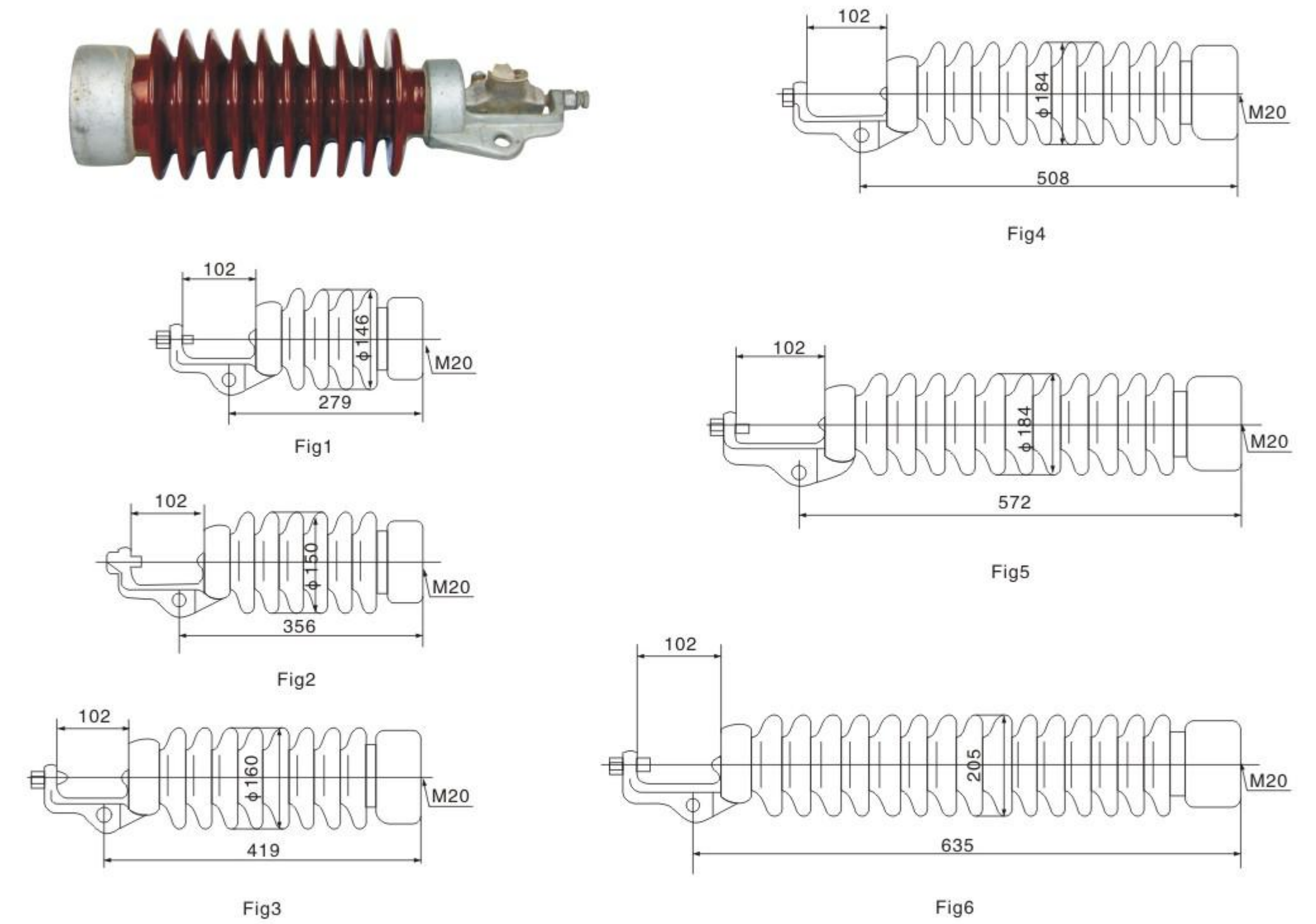
主要性能和尺寸 Main Particulars and Dimensions

Type	产品型号	57-1	57-2	57-3	57-4	57-5	57-6
Figure NO.	图号	1	2	3	4	5	6
Creepage Distance	爬电距离 mm	356	559	737	1016	1143	1364
Dry Arcing Distance	干弧距离 mm	165	241	311	368	438	489
Cantilever Strength	弯曲强度 KN	12.5	12.5	12.5	12.5	12.5	12.5
Power Frequency Flashover Voltage 工频闪络电压	DRY 干 KV	70	100	125	140	160	180
	Wet 湿 KV	50	70	95	110	130	150
Critical Impulse Flashover Voltage 临界冲击闪络电压	Positive 正极性 KV	120	160	200	230	265	300
	Negative 负极性KV	155	205	260	340	380	
Radio-influence-voltage Data 无线电干扰电压	Test Voltage to Ground 对地实验 KV	15	22	30	44	44	44
	Max.RIV at 1MHz 1MHz最大无线电干扰 μV	100	100	200	200	200	200
Net Weight 净重 kg		5.2	9.0	11.0	18	18	20.5
Applicable standard 执行标准		ANSI					

高压线路支柱绝缘子 Porcelain Line Post Insulator



高压线路支柱绝缘子 Porcelain Line Post Insulator



主要性能和尺寸 Main Particulars and Dimensions

Type	产品型号	57-11	57-12	57-13	57-14	57-15	57-16
Figure NO.	图号	1	2	3	4	5	6
Creepage Distance	爬电距离 mm	356	559	737	1016	1143	1364
Dry Arcing Distance	干弧距离 mm	165	241	311	368	438	489
Cantilever Strength	弯曲强度 KN	12.5	12.5	12.5	12.5	12.5	12.5
Power Frequency Flashover Voltage	DRY 干 KV	70	100	125	140	160	180
	Wet 湿 KV	50	70	95	110	130	140
Critical Impulse Flashover Voltage	Positive 正极性 KV	120	160	200	230	265	300
	Negative 负极性 KV	155	205	260	340	380	390
Radio influence voltage	Test Voltage to Ground 对地实验 KV	15	22	30	44	44	44
	Max.RIV at 1MHz 1MHz最大无线电干扰 μV	100	100	200	200	0	200
Net Weight 净重 kg		6.8	10	11.8	15.9	18.6	
Applicable standard 执行标准		ANSI					

主要性能和尺寸 Main Particulars and Dimensions

Type	产品型号	57-21	57-22	57-23	57-24	57-25	57-26
Figure NO.	图号	1	2	3	4	5	6
Creepage Distance	爬电距离 mm	356	559	737	1016	1143	1364
Dry Arcing Distance	干弧距离 mm	165	241	311	368	438	489
Cantilever Strength	弯曲强度 KN	12.5	12.5	12.5	12.5	12.5	12.5
Power Frequency Flashover Voltage	DRY 干 KV	70	100	125	140	160	180
	Wet 湿 KV	50	70	95	110	130	140
Radio-influence-voltage Data	Positive 正极性 KV	120	160	200	230	265	300
	Negative 负极性 KV	155	205	260	340	380	390
Radio influence voltage	Test Voltage to Ground 对地实验 KV	15	22	30	44	44	44
	Max.RIV at 1MHz 1MHz最大无线电干扰 μV	100	100	200	200	200	200
Net Weight 净重 kg		7.5	10.5	12.7	16.8	19.5	
Applicable standard 执行标准		ANSI					

B1 复合避雷器 Polymeric Surge Arrester

基本原理 Main principle

- 氧化锌避雷器,是目前国际最先进的过电压保护器。由于其核心元件电阻片采用氧化锌及多种金属氧化物制成,与传统碳化硅避雷器相比,大大改善了电阻片伏安特性,提高了电阻片的通流能力,从而带来避雷器特征的根本变化。
- 当避雷器在正常工作电压下,流过避雷器的电流仅有微安级,当遭受电压时,避雷器优异的非线性伏安特性发挥作用,流过避雷器的电流瞬间增大到数千安培,避雷器处于导通状态,释放过电压能量,从而有效地限制了过电压对输电设备的侵害。
- ZnO lightning arrester is one kind most world advanced over-voltage protector at present due to its core components of resistance applying ZnO and other metal oxide to make of comparing with traditional carborundum arrester, it improves greatly V-A characteristics of resistance, increases the getting through ability of resistance, thereby it brings fundamental, change to features of arrester.
- Under normal working voltage. The current passing arrester only A class, when bearing over voltage. The excellent non-linear V-A features of arrester would make effect, the current passing through the arrester increase high to thousands of Ampere instant the arrester is under getting through state, to release over-voltage energy therefore it effective limits the damage to power transmission equipments due to over voltage.

用途特点 Application and features

- 氧化锌避雷器,是保护交流电力系统的电气设备免受大气过电压和操作过电压危害的保护设备。
- ZnO lightning arrester is one kind protecting equipment preventing electric equipments in AC power system from high voltage and over-voltage operation.

型号含义 Type Meaning



- 附加特征 W:防污, G:高原, K:抗震型, T:湿热型, L:脱离器
Using feature:W-Anti-pollution model;G-Tableland model.
- 标称放电电流下最大残压kV
Max.residal voltage under nominal dischaging current(kV)
- 避雷器额定电压kV
Rated voltage for lightning arrester(kV)
- 设计序号
Product design sequence Number
- S:配电,Z:电站,R:电容器组,X:线路,T:铁道,D:发电机,F:用于全封闭电器中包含,O:用于油中;
S-Distribution; Z-Station;R-Capacitor; X-Line; T-Railway; D-Electrice motor;
F-Protection for full-sealed electric equipment; O-in oil.
- W:无间隙, C:有串联间隙;
W-Gapless; C-Gap in series.
- 标称放电电流kA
Nominal discharging current(kA)
- 复合外套
Metal ZnO Lighting Arrester
- 金属氧化物避雷器
Composite organic bushing

避雷器电阻片 Metal Oxide Varistor For Arrester



金属氧化物电阻片选型参数(外形尺寸及电气参数) Technical Parameters and Dimensions of Common Metal Oxide Varistor

1、低压避雷器用电阻片 Metal Oxide Varistor for Low Voltage Arrester

Type 代号 型号	Dimension 外形尺寸(mm)		DC U _{1mA} 直流U _{1mA} (kV)	Leak Current 0.75U _{1mA} 下 漏电流 (> μA)	Voltage Ratio 1.5kA 压比 U _{1.5KA} /U _{1mA}	Impulse Current Withstand Capacity 冲击电流耐受能力		Non-linear Coefficient 非线性系数 α 10 μA-1mA (<)	Aging Test 老化系数 (老化试验) 115℃, 1000h
	Diameter 外径	Height 高度				Rectangular Impulse 2ms方波(A)	High Current Impulse 4/10 μs大电流(KA)		
D1-1	32 ± 1	3 ± 0.5	≥ 0.6	7	1.6	100	50	20	Chareability85% 核电率为85% Kct≤1.0
D1-2	35 ± 1	3 ± 0.5	≥ 0.6	7	1.6	100	50	20	
D2-1	32 ± 1	6 ± 0.5	≥ 1.2	7	1.6	100	50	20	
D2-2	35 ± 1	6 ± 0.5	≥ 1.2	7	1.6	100	50	20	

2、放电计数器、监测器用电阻片 Metal Oxide Varistor for Counter and Monitor

Type 代号 型号	Dimension 外形尺寸(mm)		DC U _{1mA} 直流U _{1mA} (kV)	Leak Current 0.75U _{1mA} 下 漏电流 (> μA)	8/20 μs Lightning Impulse Residual Voltage 8/20 μs 雷电冲击电流下残压 (> μA)		Impulse Current Withstand Capacity 冲击电流耐受能力		Current Range for Action 计数器动作 电流范围 8/20 μs(A)
	Diameter 外径	Height 高度			5KA	10KA	Rectangular Impulse 2ms方波(A)	High Current Impulse 4/10 μs大电流(KA)	
DF-1	52 ± 1	6 ± 0.5	0.4-0.55	10	1.0	1.1	600	100	50-10000
DF-2	61 ± 1	6 ± 0.5	0.4-0.55	10	1.1	1.2	800	100	50-10000
DF-3	72 ± 1	7 ± 0.5	0.4-0.60	10		1.2	1000	100	50-20000

3、3~10 KV避雷器用电阻片 Metal Oxide Varistor for 3~10KV Arrester

Type 代号 型号	Dimension 外形尺寸(mm)		DC U _{1mA} 直流U _{1mA} (kV)	Leak Current 0.75U _{1mA} 下 漏电流 (> μA)	Voltage Ratio 5KA 压比 U _{1.5KA} /U _{1mA}	Impulse Current Withstand Capacity 冲击电流耐受能力		Non-linear Coefficient 非线性系数 α 10 μA-1mA (<)	Aging Test 老化系数 (老化试验) 115℃, 1000h
	Diameter 外径	Height 高度				Rectangular Impulse 2ms方波(A)	High Current Impulse 4/10 μs大电流(KA)		
D3-1	28 ± 1	24~30 ± 0.5	4.8-5.7-7.2	7	1.82	150	65	23	Chareability85% 核电率为85% Kct≤1.0
D3-2	30 ± 1	24~30 ± 0.5	4.8-5.7-7.2	7	1.80	170	65	22	
D3-3	32 ± 1	24~30 ± 0.5	4.8-5.7-7.2	7	1.78	200	65	22	
D3-4	35 ± 1	24~30 ± 0.5	4.8-5.7-7.2	8	1.75	250	70	22	

4、20~35 KV避雷器用电阻片 Metal Oxide Varistor for 20~35KV Arrester

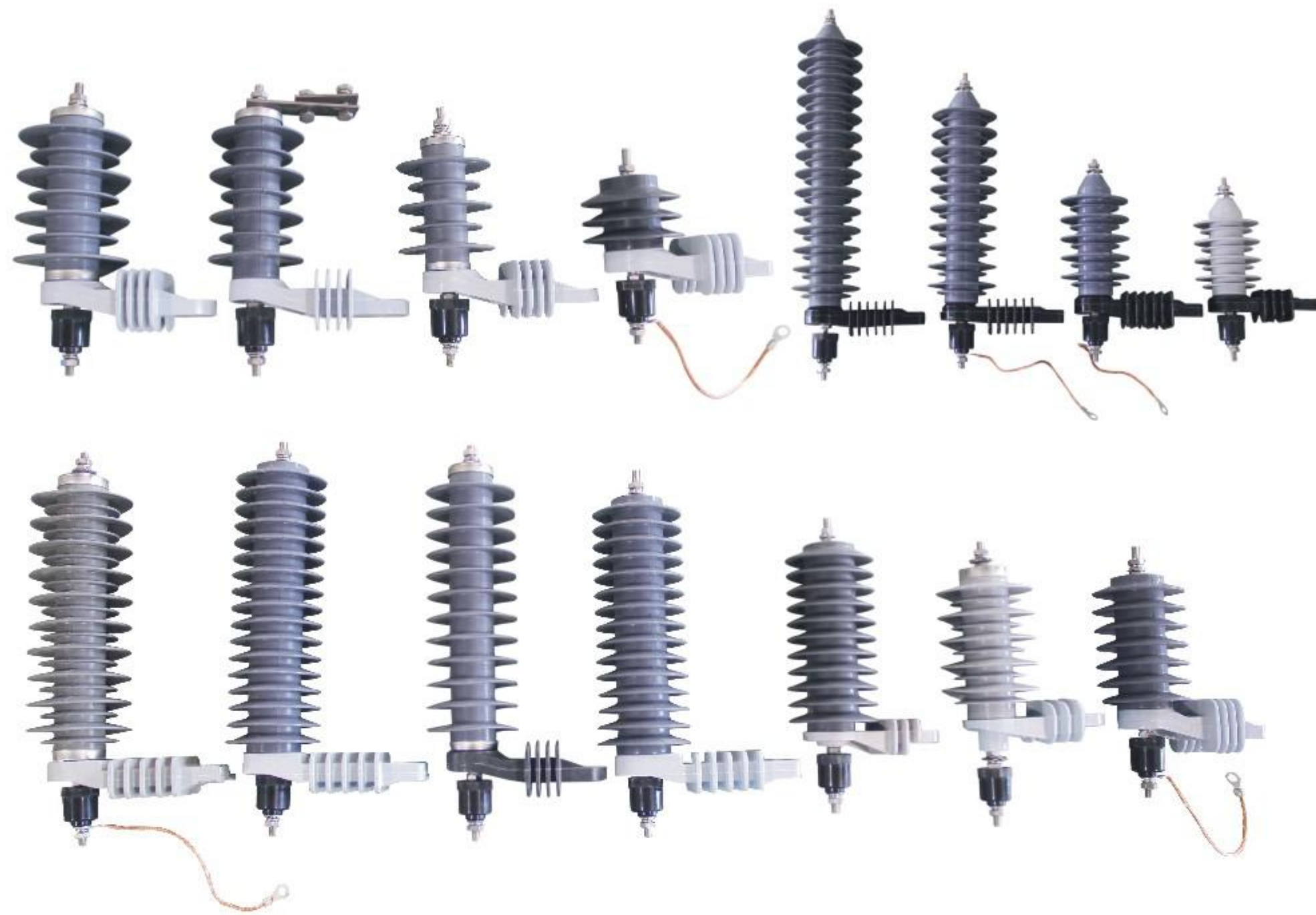
Type 代号 型号	Dimension 外形尺寸(mm)		DC U _{1mA} 直流U _{1mA} (kV)	Leak Current 0.75U _{1mA} 下 漏电流 (> μA)	Voltage Ratio 5KA 压比 U _{1.5KA} /U _{1mA}	Impulse Current Withstand Capacity 冲击电流耐受能力		Non-linear Coefficient 非线性系数 α 10 μA-1mA (<)	Aging Test 老化系数 (老化试验) 115℃, 1000h
	Diameter 外径	Height 高度				Rectangular Impulse 2ms方波(A)	High Current Impulse 4/10 μs大电流(KA)		
D4-1	38 ± 1	24~30 ± 0.5	4.8-5.5-7.2	10	1.75	300	≥ 80	20	Chareability85% 核电率为85% Kct≤1.0
D4-2	42 ± 1	24~30 ± 0.5	4.8-5.5-7.2	10	1.71	400	≥ 90	20	
D5-1	46 ± 1	24 ± 0.5	4.6-5.5	15	1.70	450	100	19	
D5-2	48 ± 1	24 ± 0.5	4.6-5.5	15	1.68	500	100	18	

5、66~110 KV避雷器用电阻片 Metal Oxide Varistor for 66~110KV Arrester

Type 代号 型号	Dimension 外形尺寸(mm)		DC U _{1mA} 直流U _{1mA} (kV)	Leak Current 0.75U _{1mA} 下 漏电流 (> μA)	Voltage Ratio 5KA 压比 U _{1.5KA} /U _{1mA}	Impulse Current Withstand Capacity 冲击电流耐受能力		Non-linear Coefficient 非线性系数 α 10 μA-1mA (<)	Aging Test 老化系数 (老化试验) 115℃, 1000h
	Diameter 外径	Height 高度				Rectangular Impulse 2ms方波(A)	High Current Impulse 4/10 μs大电流(KA)		
D5-3	52 ± 1	24 ± 0.5	4.6-5.5	15	1.64	600	100	18	Chareability90% 核电率为90% Kct≤1.0
D5-4	53 ± 1	24 ± 0.5	4.6-5.5	15	1.63	650	100	18	
D6-1	56 ± 1	24 ± 0.5	4.6-5.5	15	1.62	800	100	17	

6、220~330 KV避雷器用电阻片 Metal Oxide Varistor for 220~330KV Arrester

Type 代号 型号	Dimension 外形尺寸(mm)			DC U _{1mA} 直流U _{1mA} (kV)	Leak Current 0.75U _{1mA} 下 漏电流 (> μA)	Voltage Ratio 10kA 压比 U _{1.5KA} /U _{1mA}	Impulse Current Withstand Capacity 冲击电流耐受能力		Non-linear Coefficient 非线性系数 α 10 μA-1mA (<)	Aging Test 老化系数 (老化试验) 115℃, 1000h
	Diameter 外径	Inner Diameter 内环直径	Height 高度				Rectangular Impulse 2ms方波(A)	High Current Impulse 4/10 μs大电流(KA)		
D6-1	56 ± 1		24.0 ± 0.5	4.6-5.5	15	1.73	800	100	17	Chareability90% 核电率为90% Kct≤1.0
D6-2	62 ± 1		22.5 ± 0.5	4.0-5.2	15	1.71	1000	100	16	
D6-2	62 ± 1	19 ± 1	22.5 ± 0.5	4.0-5.2	15	1.71	1000	100	16	



无间隙复合避雷器 5KA gapless polymer arrester electrical parameter

型号 Type	额定电压 Rated voltage kV(rms)	最大持续 运行电压 MCOV kV(rms)	残压 Max. Residual Voltage(KV)			方波冲击电流耐受 2000 μs Square Wave Impulse Current Withstand A(crest)	大电流耐受 4/10 μs high current impulse kV(crest)
			陡坡冲击电流 Steep current impulse kV(crest)	30/60 μs 操作冲击电流 Switching current impulse kV(crest)	8/20 μs雷电冲击电流 Lightning current impulse kV(crest)		
YH5W-3	3	2.55	9.5	7.7	9	100	65
YH5W-6	6	5.1	19.5	15.4	18	100	65
YH5W-9	9	7.65	28.5	23.1	27	100	65
YH5W-10	10	8.3	36.0	27.0	30	100	65
YH5W-11	11	9.5	38.5	30.0	33	100	65
YH5W-12	12	10.2	40	30.8	36	100	65
YH5W-15	15	12.7	47.5	38.5	45	100	65
YH5W-18	18	15.3	57.0	46.2	54	100	65
YH5W-21	21	17.0	66.5	53.9	63	100	65
YH5W-24	21	19.5	76.0	61.6	72	100	65
YH5W-27	27	21.9	85.5	69.3	81	100	65
YH5W-30	30	24.4	95.0	76.5	90	100	65
YH5W-33	33	26.8	104.5	84.7	99	100	65
YH5W-36	36	29.0	114.0	92.4	108	100	65
YH5W-42	42	34.1	132.3	100.1	126	100	65



无间隙复合避雷器 10KA gapless polymer arrester electrical parameter

型号 Type	额定电压 Rated voltage kV(rms)	最大持续 运行电压 MCOV kV(rms)	残压 Max. Residual Voltage(KV)			方波冲击电流耐受 2000 μs Square Wave Impulse Current Withstand A(crest)	大电流耐受 4/10 μs high current impulse kV(crest)
			陡坡冲击电流 Steep current impulse kV(crest)	30/60 μs 操作冲击电流 Switching current impulse kV(crest)	8/20 μs雷电冲击电流 Lightning current impulse kV(crest)		
YH10W-3	3	2.55	9.5	7.7	9	250-550	100
YH10W-6	6	5.1	19.5	15.4	18	250-550	100
YH10W-9	9	7.65	28.5	23.1	27	250-550	100
YH10W-10	10	8.4	36	30	23	250-550	100
YH10W-11	11	9.4	38	33	30	250-550	100
YH10W-12	12	10.2	40	30.8	36	250-550	100
YH10W-15	15	12.7	47.5	38.5	45	250-550	100
YH10W-18	18	15.3	57	46.2	54	250-550	100
YH10W-21	21	17	66.5	53.9	63	250-550	100
YH10W-24	21	19.5	76	61.6	72	250-550	100
YH10W-27	27	21.9	85.5	69.3	81	250-550	100
YH10W-30	30	24.4	95	76.5	90	250-550	100
YH10W-33	33	26.8	104.5	84.7	99	250-550	100
YH10W-36	36	29	114	92.4	108	250-550	100
YH10W-42	42	34.1	132.3	100.1	126	250-550	100
YH10W-48	48	39.0	152.0	126.0	150	400-600	100
YH10W-54	54	43.0	171.0	180.0	162	400-600	100
YH10W-60	60	48.0	208	160.0	180	400-600	100
YH10W-66	66	53.4	230	172.0	198	400-600	100

B2 陶瓷避雷器 Porcelain Surge Arrester

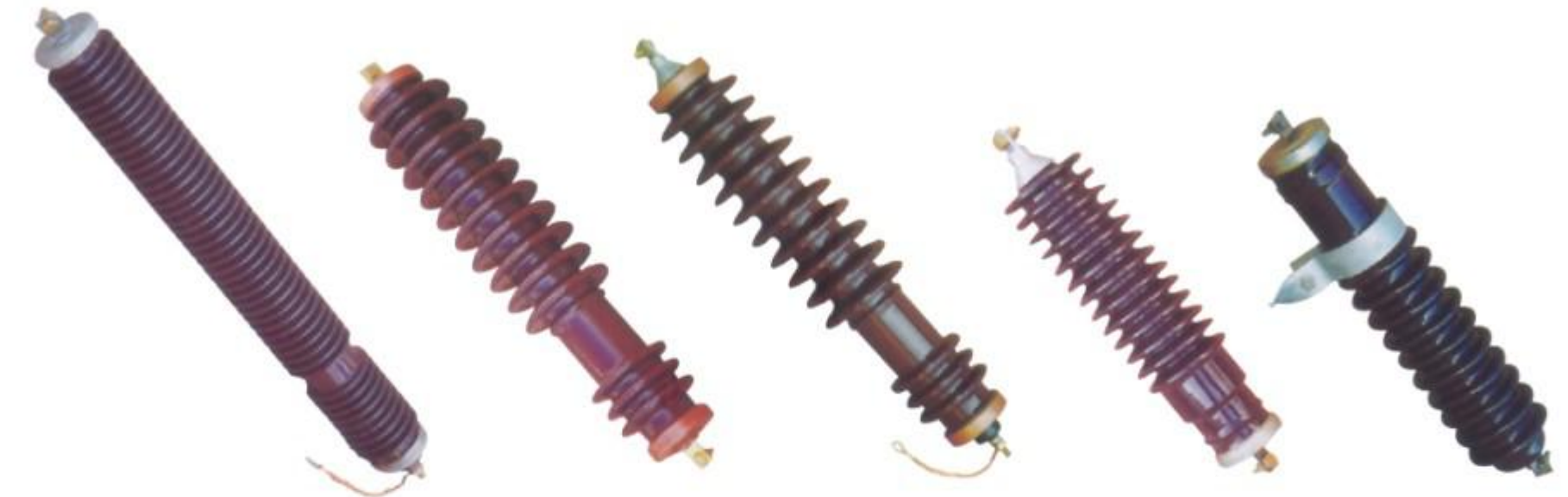


无间隙瓷避雷器 10KA gapless porcelain arrester electrical parameter

型号 Type	额定电压 Rated voltage kV(rms)	最大持续 运行电压 MCOV kV(rms)	残压 Max. Residual Voltage(KV)			方波冲击电流耐受 2000 μs Square Wave Impulse Current Withstand A(crest)	大电流耐受 4/10 μs high current impulse kV(crest)
			陡坡冲击电流 Steep current impulse kV(crest)	30/60 μs 操作冲击电流 Switching current impulse kV(crest)	8/20 μs 雷电冲击电流 Lightning current impulse kV(crest)		
Y10W-3	3	2.55	9.5	7.7	9	250	100
Y10W-6	6	5.1	19.5	15.4	18	250	100
Y10W-9	9	7.65	28.5	23.1	27	250	100
Y10W-10	10	8.3	36	30	30	250	100
Y10W-11	11	9.5	38.0	33	33	250	100
Y10W-12	12	10.2	40	30.8	36	250	100
Y10W-15	15	12.7	47.5	38.5	45	250	100
Y10W-18	18	15.3	57.0	46.2	54	250	100
Y10W-21	21	17.0	66.5	53.9	63	250	100
Y10W-24	24	19.5	76.0	61.6	72	250	100
Y10W-27	27	21.9	85.5	69.3	81	250	100
Y10W-30	30	24.4	95.0	76.5	90	250	100
Y10W-33	33	26.8	104.5	84.7	99	250	100
Y10W-36	36	29.0	114.0	92.4	108	250	100
Y10W-42	42	34.1	133.0	100.1	126	250	100
Y10W-48	48	39.0	152.0	126.0	150	400	100
Y10W-54	54	43.0	171.0	139.0	16	400	100
Y10W-60	60	48.0	208.0	160.0	180	400	100
Y10W-66	66	53.4	230.	172.0	198	400	100

串联间隙陶瓷避雷器 10KA Gapped porcelain arrester electrical parameter

Model Type	Rated Voltage kV	MCOV kV	Power frequency	1.2/50 us Lightning Impulse	8/20 us Lightning Impulse residual voltage (KV)	Line discharge class	4/10 S High Current Impulse kV
Y10C-3	3	2.55	5	7.8	9	1-2	100
Y10C-6	6	5.1	10	15.5	18	1-2	100
Y10C-9	9	7.65	16.5	24.5	27	1-2	100
Y10C-10	10	8.4	18	27.2	30	1-2	100
Y10C-12	12	10.2	21	32.6	36	1-2	100
Y10C-15	15	12.7	25	38.8	45	1-2	100
Y10C-18	18	15.3	31	48.1	54	1-2	100
Y10C-21	21	17	34	52.7	63	1-2	100
Y10C-24	24	19.2	39	60.5	72	1-2	100
Y10C-27	27	21.9	45	69.8	81	1-2	100
Y10C-30	30	24.4	50	77.5	90	1-2	100
Y10C-33	33	26.8	55	85.3	99	1-2	100
Y10C-36	36	29	60	93.0	108	1-2	100
Y10C-42	42	34.1	70	108.5	126	1-2	100



无间隙瓷避雷器 5KA gapless porcelain arrester electrical parameter

型号 Type	额定电压 Rated voltage kV(rms)	最大持续 运行电压 MCOV kV(rms)	残压 Max. Residual Voltage(KV)			方波冲击电流耐受 2000 μs Square Wave Impulse Current Withstand A(crest)	大电流耐受 4/10 μs high current impulse kV(crest)
			陡坡冲击电流 Steep current impulse kV(crest)	30/60 μs 操作冲击电流 Switching current impulse kV(crest)	8/20 μs 雷电冲击电流 Lightning current impulse kV(crest)		
Y5W-3	3	2.55	9.5	7.7	9	100	65
Y5W-6	6	5.1	19.0	15.4	18	100	65
Y5W-9	9	7.65	28.5	23.1	27	100	65
Y5W-10	10	8.3	36.0	27.0	30	100	65
Y5W-11	11	9.5	38.0	30.0	33	100	65
Y5W-12	12	10.2	40	30.8	36	100	65
Y5W-15	15	12.7	47.5	38.5	45	100	65
Y5W-18	18	15.3	57.0	46.2	54	100	65
Y5W-21	21	17.0	66.5	53.9	63	100	65
Y5W-24	24	19.5	76.0	61.6	72	100	65
Y5W-27	27	21.9	85.5	69.3	81	100	65
Y5W-30	30	24.4	95.0	76.5	90	100	65
Y5W-33	33	26.8	104.0	84.7	99	100	65
Y5W-36	36	29.0	114.0	92.4	108	100	65
Y5W-42	42	34.1	132.3	100.1	126	100	65

串联间隙陶瓷避雷器 5KA Gapped porcelain arrester electrical parameter

Model Type	Rated Voltage kV	MCOV kV	Steep Current Impulse	Switching Current Impulse	Lightning Current Impulse	2000s Square Wave Impulse Current Withstand	4/10 S High Current Impulse kV
Y5C-3	3	2.55	5	7.8	9	100-250	65
Y5C-6	6	5.1	10	15.5	18	100-250	65
Y5C-9	9	7.65	16.5	24.5	27	100-250	65
Y5C-12	12	10.2	21	32.6	36	100-250	65
Y5C-15	15	12.7	25	38.8	45	100-250	65
Y5C-18	18	15.3	31	48.1	54	100-250	65
Y5C-21	21	17	34	52.7	63	100-250	65
Y5C-24	24	19.2	39	60.5	72	100-250	65
Y5C-27	27	21.9	45	69.8	81	100-250	65
Y5C-30	30	24.4	50	77.5	90	100-250	65
Y5C-33	33	26.8	55	85.3	99	100-250	65
Y5C-36	36	29	60	93	108	100-250	65
Y5C-42	42	34.1	70	108.5	126	100-250	65



主要技术参数 / Main Technical Parameters

电压等级 voltage class	使用场所 Serve scope	系统标称电压有效值 system of nominal voltage effective implant (kV)	避雷器国标型号 arrester chinese standard model	避雷器额定电压有效值 rated voltage effective implant (kV)	无间隙避雷器 no clearance arrester					有间隙避雷器 have clearance arrester					残压(kV)峰值(不大于) residual(kV) pressure peak value (not more than)	2000 μ s方波通流容量 2000 μ s square wave flow capacity (A)	4/10大电流耐受能力 4/10 high current compression capacity (KA)
					避雷器持续运行电压有效值 arrester continuous operating voltage (kV)	直流1mA参考电压不小于DC 1mA reference voltage \geq (kV)	0.75倍直流参考电压下最大泄漏电流参考值 0.75 times of DC voltage reference under the max leakage (μ A)	工频放电电压有效值不小于 Power frequency discharge voltage (kV)	1.2/50冲击放电电压峰值不大于 1.2/50 under impact current discharging voltage (kV)	最大电导电流 max. Conduction current (μ A)	8/20雷电冲击电流下 雷电流下 8/20 under the lightning current impulse (kV)	30/60操作冲击电流下 30/60 under switching current impulse (kV)	1/4陡波冲击电流下 1/4 under steep current impulse (kV)	雷电冲击电流下 雷电流下 8/20 under the lightning current impulse (kV)			
低压 low voltage	配电型 distribution model	0.22	YH1.5W-0.28/1.3	0.28	0.24	0.6	50	-	-	-	1.3	-	-	75	25		
	0.38	YH1.5W-0.5/2.6	0.5	0.42	1.2	50	-	-	-	2.6	-	-	75	25			
	电机型 motor model	0.66*	YH2.5WD-1.3/3.6	1.3	0.95	1.8	50	-	-	-	3.6	-	-	200	40		
3kV	1.14*	YH2.5WD-2.6/7.2	2.6	1.9	3.6	50	-	-	-	7.2	-	-	200	40			
	3	YH5WS-3.8/15	3.8	2.0	7.5	50	-	-	-	15.0	12.8	17.3	75	40			
	3	YH5WS-5/15	5	4.0	7.5	50	-	-	-	15.0	12.8	17.3	75	40			
	3	YH5CS-3.8/13.5	3.8	-	-	-	9.0	13.5	20	13.5	11.4	15.0	75	40			
	3	YH5WZ-3.8/13.5	3.8	2.0	7.2	50	-	-	-	13.5	11.5	15.5	200	65			
	3	YH5WZ-5/13.5	5	4.0	7.2	50	-	-	-	13.5	11.5	15.5	200	65			
	3	YH5CZ-3.8/12.0	3.8	-	-	-	8.0	12.0	20	12.0	10.2	13.5	200	65			
	3	YH5WR-3.8/13.5	3.8	2.0	7.2	50	-	-	-	13.5	10.5	-	400	65			
	3	YH5WR-5/13.5	5	4.0	7.2	50	-	-	-	13.5	10.5	-	400	65			
	3	YH5CR-3.8/12.0	3.8	-	-	-	8.0	12.0	20	12.0	9.6	-	400	65			
	3.15*	YH5WD-3.8/9.5	3.8	2.0	5.7	50	-	-	-	9.5	7.6	10.7	400	65			
	3.15*	YH5WD-4/9.5	4	3.15	5.7	50	-	-	-	9.5	7.6	10.7	400	65			
	3.15*	YH5CD-3.8/8.6	3.8	-	-	-	7.5	8.6	20	8.6	6.9	9.8	400	65			
	3.15*	YH2.5WD-3.8/9.5	3.8	2.0	5.7	50	-	-	-	9.5	7.6	10.7	200	65			
	3.15*	YH2.5WD-4/9.5	4	3.15	5.7	50	-	-	-	9.5	7.6	10.7	200	65			
	3.15*	YH2.5CD-3.8/8.6	3.8	-	-	-	7.5	8.6	20	8.6	6.9	9.8	200	65			
	3.15*	YH1.5W-2.4/6	2.4	1.9	3.4	50	-	-	-	6.0	5.0	-	200	65			
	6	YH5WS-7.6/30	7.6	4.0	15.0	50	-	-	-	30.0	25.6	34.6	75	40			
	6	YH5WS-10/30	10	8.0	15.0	50	-	-	-	30.0	25.6	34.6	75	40			
	6	YH5CS-7.6/27	7.6	-	-	-	16.0	27.0	20	27.0	22.5	30.0	75	40			
	6	YH5WZ-7.6/27	7.6	4.0	14.4	50	-	-	-	27.0	23.0	31.0	200	65			
	6	YH5WZ-10/27	10	8.0	14.4	50	-	-	-	27.0	23.0	31.0	200	65			
	6	YH5CZ-7.6/24	7.6	-	-	-	16.0	24.0	20	24.0	20.4	27.0	200	65			
	6	YH5WR-7.6/27	7.6	4.0	14.4	50	-	-	-	27.0	21.0	-	400	65			
6	YH5WR-10/27	10	8.0	14.4	50	-	-	-	27.0	21.0	-	400	65				
6	YH5CR-7.6/24	7.6	-	-	-	16.0	24.0	20	24.0	19.5	-	400	65				
6.3*	YH5WD-7.6/18.7	7.6	4.0	11.2	50	-	-	-	18.7	15.0	21.0	400	65				
6.3*	YH5WD-8/18.7	8	6.3	11.2	50	-	-	-	18.7	15.0	21.0	400	65				
6.3*	YH5CD-7.6/17	7.6	-	-	-	15.0	17.0	20	17.0	13.8	19.6	400	65				
6.3*	YH2.5WD-7.6/18.7	7.6	4.0	11.2	50	-	-	-	18.7	15.0	21.0	200	65				
6.3*	YH2.5WD-8/18.7	8	6.3	11.2	50	-	-	-	18.7	15.0	21.0	200	65				
6.3*	YH2.5CD-7.6/17	7.6	-	-	-	15.0	17.0	20	17.0	13.8	19.6	200	65				
6.3*	YH1.5W-4.8/12	4.8	3.8	6.8	50	-	-	-	12.0	10.0	-	200	65				
10	YH5WS-12.7/50	12.7	6.6	25	50	-	-	-	50	42.5	57.5	75	40				
10	YH5WS-17/50	17	13.6	25	50	-	-	-	50	42.5	57.5	75	40				
10	YH5CS-12.7/45	12.7	-	-	-	26.0	45	20	45	38.4	51.0	75	40				
10	YH5WZ-12.7/45	12.7	6.6	24	50	-	-	-	45	38.3	51.8	200	65				
10	YH5WZ-17/45	17	13.6	24	50	-	-	-	45	38.3	51.8	200	65				
10	YH5CZ-12.7/41	12.7	-	-	-	26.0	41	20	41	35.0	46.0	200	65				
10	YH5WR-12.7/46	12.7	6.6	24	50	-	-	-	46	35.0	-	400	65				
10	YH5WR-17/46	17	13.6	24	50	-	-	-	46	35.0	-	400	65				
10	YH5CR-12.7/41	12.7	-	-	-	26.0	41	20	41	33.0	-	400	65				
10.5*	YH5WD-12.7/31	12.7	6.6	18.6	50	-	-	-	31	25	34.7	400	65				
10.5*	YH5WD-13.5/31	13.5	10.5	18.6	50	-	-	-	31	25	34.7	400	65				
10.5*	YH5CD-12.7/28	12.7	-	-	-	25.0	28.0	20	28	22.5	32.0	400	65				
13.8*	YH5WD-17.5/40	17.5	13.8	24.4	50	-	-	-	40.0	32.0	44.8	400	65				
15.75*	YH5WD-20/45	20.0	15.75	28.0	50	-	-	-	45.0	36.0	50.4	400	65				
18.0*	YH5WD-23/51	23.0	18.0	31.9	50	-	-	-	51.0	40.8	57.2	400	65				
20.0*	YH5WD-25/56.2	25.0	20.0	35.4	50	-	-	-	56.2	45.0	62.9	400	65				
10.5*	YH2.5WD-12.7/31	12.7	6.6	18.6	50	-	-	-	31	25	34.7	200	65				
10.5*	YH2.5WD-13.5/31	13.5	10.5	18.6	50	-	-	-	31	25	34.7	200	65				
10.5*	YH2.5CD-12.7/28	12.7	-	-	-	25.0	28.0	20	28	22.5	32.0	200	65				



主要技术参数 / Main Technical Parameters

电压等级 voltage class	使用场所 Serve scope	系统标称电压有效值 system of nominal voltage effective implant (kV)	避雷器国标型号 arrester chinese standard model	避雷器额定电压有效值 rated voltage effective implant (kV)	无间隙避雷器 no clearance arrester					有间隙避雷器 have clearance arrester					残压(kV)峰值(不大于) residual(kV) pressure peak value (not more than)	2000 μ s方波通流容量 2000 μ s square wave flow capacity (A)	4/10大电流耐受能力 4/10 high current compression capacity (KA)
					避雷器持续运行电压有效值 arrester continuous operating voltage (kV)	直流1mA参考电压不小于DC 1mA reference voltage \geq (kV)	0.75倍直流参考电压下最大泄漏电流参考值 0.75 times of DC voltage reference under the max leakage (μ A)	工频放电电压有效值不小于 Power frequency discharge voltage (kV)	1.2/50冲击放电电压峰值不大于 1.2/50 under impact current discharging voltage (kV)	最大电导电流 max. Conduction current (μ A)	8/20雷电冲击电流下 雷电流下 8/20 under the lightning current impulse (kV)	30/60操作冲击电流下 30/60 under switching current impulse (kV)	1/4陡波冲击电流下 1/4 under steep current impulse (kV)	雷电冲击电流下 雷电流下 8/20 under the lightning current impulse (kV)			
10kV	中点型 neutral point model	10.5*	YH1.5W-8/19	8	6.4	11.4	50	-	-	-	19.0	15.9	-	200	65		
		13.8*	YH1.5W-10.5/23	10.5	8.4	14.9	50	-	-	-	23.0	19.2	-	200	65		
		15.75*	YH1.5W-12/26	12	9.6	17.0	50	-	-	-	26.0	21.6	-	200	65		
		18.0*	YH1.5W-13.7/29.2	13.7	11.0	19.2	50	-	-	-	29.2	24.3	-	200	65		
		20.0*	YH1.5W-15.2/31.7	15.2	12.2	21.6	50	-	-	-	31.7	26.4	-	200	65		
35kV	电站型 power model	35	YH5WZ-51/134	51	40.8	73	50	-	-	-	134	114	154	400	65		
		35	YH5WZ-42/134	42	23.4	73	50	-	-	-	134	114	154	400	65		
		35	YH5CZ-42/124	42	-	-	-	80.0	124	20	124	100	143	400	65		
	电容型 capacitor model	35	YH5WR-51/134	51	40.8	73	50	-	-	-	134	105	-	400	65		
		35	YH5WR-42/134	42	23.4	73	50	-	-	-	134	105	-	400	65		
		35	YH5CR-42/124	42	-	-	-	80.0	124	20	124	100	-	400	65		
		35	YH5WX-51/134	51	40.8	73	50	-	-	-	134	114	154	400	65		
		35	YH5WX-54/150	54	43.2	77	50	-	-	-	150	128	169	400	65		
		35	YH5CX-42/120	42	-	-	-	80.0	120	20	120	100	138	400	65		
		35	YH5CX-42/150	42	-	-	-	80.0	150	20	150	128	169	400	65		
		35	YH1.5W-30/80	30	24	44	50	-	-	-	80	67.5	-	400	65		
66kV	电站型 power model	66	YH5WZ-84/221	84	67.2	121	50	-	-	-	221	188	254	600	65		
		66	YH5WZ-90/235	90	72.5	130	50	-	-	-	235	201	270	600	65		
		66	YH10WZ-84/221	84	67.2	121	50	-	-	-	221	188	248	600	100		
		66	YH10WZ-90/235	90	72.5	130	50	-	-	-	235	201	264	600	100		
		66	YH5WX-96/250	96	75	140	50	-	-	-	250	213	288	600	65		
110kV	线路型 Line-type	66	YH5WX-96/275	96	75	154	50	-	-	-	275	234	316	600	65		
		110	YH5WZ-100/260	100	78	145	50	-	-	-	260	221	299	600	65		
	电站型 power model	110	YH5WZ-102/266	102	79.6	148	50	-	-	-	266	226	305	600	65		
		110	YH5WZ-108/281	108	84	157	50	-	-	-	281						

B3 放电计数器与监测器 Discharge Counter & Monitor for Arrester



JQC 监测器
Monitor



JS-8 放电计数器
dis charge counter

Product Features

Discharge Counter is Used for recording the discharge times of surge arrester in operation. Monitor is connected in series with surge arrester and operates in power system. It measures on-line real-time leakage current of surge arresters and records the monitor discharging times.

B4 脱离器 Disconnector for Arrester



Application scope

It is used for all kinds of metal oxide surge arrester in the voltage of 220kV and below, the service conditions is the same with the surge arrester connected.

Arrester disconnector

Arrester disconnector is a device for disconnecting an arrester from the system in the event of arrester failure, to prevent a persistent fault on the system and to give visible indication of the failed arrester, TL-1 is a thermal explode disconnector, our products as per IEC60099-4 Standard.

Arrester disconnector A-S character

Current Level	Power frequency(A)			2000 μ s Squre wave Impulse curent(A)	4/10 μ s High current(KA)
	20	200	800	600	100
Operation time (ms)	<0.5	<0.04	<0.02	∞	∞

C1 陶瓷熔断器 Porcelain Fuse Cutout Types



10kV-15kV



10kV-15kV



10kV-15kV



10kV-15kV

主要技术参数 Main Technical Parameters

型号 Type	RLC1	RLC1
额定电压 Rated voltage (kV)	10-15	10-15
额定电流 Rated current (A)	100	200
开断电流 Interrupting Current (KA)	10	12
冲击电压 Impulse withstand Voltage (BIL)(kV)	110	110
工频耐压 Power frequency withstand voltage (kV)	42	42
爬距 Creepage distance (mm)	250	250
重量 Weight (KG)	6.5	7.0
外形尺寸 Dimensions (CM)	38.5 × 34.5 × 10.5	38.5 × 34.5 × 10.5

型号 Type	RLC2	RLC2
额定电压 Rated voltage (kV)	10-15	10-15
额定电流 Rated current (A)	100	200
开断电流 Interrupting Current (KA)	10	12
冲击电压 Impulse withstand Voltage (BIL)(kV)	110	110
工频耐压 Power frequency withstand voltage (kV)	40	40
爬距 Creepage distance (mm)	250	250
重量 Weight (KG)	6	6.5
外形尺寸 Dimensions (CM)	38.5 × 34.5 × 10.5	38.5 × 34.5 × 10.5

型号 Type	RLC3	RLC3
额定电压 Rated voltage (kV)	10-15	10-15
额定电流 Rated current (A)	100	200
开断电流 Interrupting Current (KA)	6	8
冲击电压 Impulse withstand Voltage (BIL)(kV)	110	110
工频耐压 Power frequency withstand voltage (kV)	40	40
爬距 Creepage distance (mm)	340	340
重量 Weight (KG)	6.7	7.0
外形尺寸 Dimensions (CM)	49 × 27 × 11	49 × 27 × 11

型号 Type	RLC4	RLC4
额定电压 Rated voltage (kV)	10-15	10-15
额定电流 Rated current (A)	100	200
开断电流 Interrupting Current (KA)	10	12
冲击电压 Impulse withstand Voltage (BIL)(kV)	110	110
工频耐压 Power frequency withstand voltage (kV)	42	42
爬距 Creepage distance (mm)	250	250
重量 Weight (KG)	6.8	7.3
外形尺寸 Dimensions (CM)	38.5 × 34.5 × 10.5	38.5 × 34.5 × 10.5

主要技术参数 Main Technical Parameters



15kV-27kV

型号 Type	RLC5	RLC5
额定电压 Rated voltage (kV)	15-27	15-27
额定电流 Rated current (A)	100	200
开断电流 Interrupting Current (KA)	10	12
冲击电压 Impulse withstand Voltage (BIL)(kV)	125	125
工频耐压 Power frequency withstand voltage (kV)	45	45
爬距 Creepage distance (mm)	355	355
重量 Weight (KG)	7.5	8
外形尺寸 Dimensions (CM)	51.5 × 34 × 12	51.5 × 34 × 12



15kV-27kV

型号 Type	RLC6	RLC6
额定电压 Rated voltage (kV)	15-27	15-27
额定电流 Rated current (A)	100	200
开断电流 Interrupting Current (KA)	10	12
冲击电压 Impulse withstand Voltage (BIL)(kV)	125	125
工频耐压 Power frequency withstand voltage (kV)	45	45
爬距 Creepage distance (mm)	350	350
重量 Weight (KG)	7.5	8
外形尺寸 Dimensions (CM)	48 × 35 × 10.5	48 × 35 × 10.5



15kV-27kV

型号 Type	RLC7	RLC7
额定电压 Rated voltage (kV)	15-27	15-27
额定电流 Rated current (A)	100	200
开断电流 Interrupting Current (KA)	10	12
冲击电压 Impulse withstand Voltage (BIL)(kV)	250	125
工频耐压 Power frequency withstand voltage (kV)	45	45
爬距 Creepage distance (mm)	350	350
重量 Weight (KG)	7	7.5
外形尺寸 Dimensions (CM)	45 × 34.5 × 12	45 × 34.5 × 12



11kV-15kV

型号 Type	RLC8	RLC8
额定电压 Rated voltage (kV)	11-15	11-15
额定电流 Rated current (A)	100	200
开断电流 Interrupting Current (KA)	6	8
冲击电压 Impulse withstand Voltage (BIL)(kV)	110	110
工频耐压 Power frequency withstand voltage (kV)	45	45
爬距 Creepage distance (mm)	300-410	300-410
重量 Weight (KG)	7.6-10.6	7.6-10.6
外形尺寸 Dimensions (CM)	58 × 52 × 17.5	58 × 52 × 17.5

主要技术参数 Main Technical Parameters



24kV-27kV

型号 Type	RLC9	RLC9
额定电压 Rated voltage (kV)	24-27	24-27
额定电流 Rated current (A)	100	200
开断电流 Interrupting Current (KA)	8	10
冲击电压 Impulse withstand Voltage (BIL)(kV)	150	150
工频耐压 Power frequency withstand voltage (kV)	65	65
爬距 Creepage distance (mm)	540	540
重量 Weight (KG)	11	11.5
外形尺寸 Dimensions (CM)	48 × 34.5 × 14	48 × 34.5 × 14



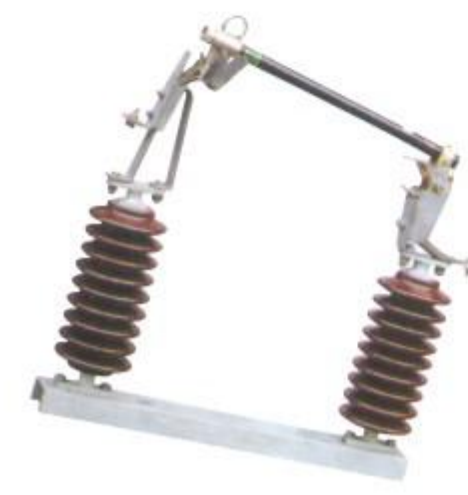
24kV-27kV

型号 Type	RLC10	RLC10
额定电压 Rated voltage (kV)	24-27	24-27
额定电流 Rated current (A)	100	200
开断电流 Interrupting Current (KA)	8	8
冲击电压 Impulse withstand Voltage (BIL)(kV)	150	150
工频耐压 Power frequency withstand voltage (kV)	65	65
爬距 Creepage distance (mm)	540	540
重量 Weight (KG)	11	11.5
外形尺寸 Dimensions (CM)	49 × 35 × 14	49 × 35 × 14



11kV-15kV

型号 Type	RLC11	RLC11
额定电压 Rated voltage (kV)	11-15	11-15
额定电流 Rated current (A)	100	200
开断电流 Interrupting Current (KA)	8	10
冲击电压 Impulse withstand Voltage (BIL)(kV)	110	110
工频耐压 Power frequency withstand voltage (kV)	45	45
爬距 Creepage distance (mm)	375	375
重量 Weight (KG)	9.7	10.2
外形尺寸 Dimensions (CM)	53 × 46 × 14.5	53 × 46 × 14.5



33kV-36kV

型号 Type	RLC12	RLC12
额定电压 Rated voltage (kV)	33-36	33-36
额定电流 Rated current (A)	100	200
开断电流 Interrupting Current (KA)	8	10
冲击电压 Impulse withstand Voltage (BIL)(kV)	170	170
工频耐压 Power frequency withstand voltage (kV)	70	70
爬距 Creepage distance (mm)	820	820
重量 Weight (KG)	20.5	20.5
外形尺寸 Dimensions (CM)	68 × 17 × 15	68 × 17 × 15

主要技术参数 Main Technical Parameters



33kV-38kV

型号 Type	RLC13	RLC13
额定电压 Rated voltage (kV)	33-38	33-38
额定电流 Rated current (A)	100	200
开断电流 Interrupting Current (KA)	6	8
冲击电压 Impulse withstand Voltage (BIL)(kV)	170	170
工频耐压 Power frequency withstand voltage (kV)	70	70
爬距 Creepage distance (mm)	660	660
重量 Weight (KG)	11	12
外形尺寸 Dimensions (CM)	56 × 38 × 14.5	56 × 38 × 14.5



33kV-38kV

型号 Type	RLC14	RLC14
额定电压 Rated voltage (kV)	33-38	33-38
额定电流 Rated current (A)	100	200
开断电流 Interrupting Current (KA)	10	12
冲击电压 Impulse withstand Voltage (BIL)(kV)	170	170
工频耐压 Power frequency withstand voltage (kV)	70	70
爬距 Creepage distance (mm)	720	720
重量 Weight (KG)	13	14
外形尺寸 Dimensions (CM)	63 × 38 × 14.5	63 × 38 × 14.5



33kV-38kV

型号 Type	RLC15	RLC15
额定电压 Rated voltage (kV)	33-38	33-38
额定电流 Rated current (A)	100	200
开断电流 Interrupting Current (KA)	8	10
冲击电压 Impulse withstand Voltage (BIL)(kV)	170	170
工频耐压 Power frequency withstand voltage (kV)	70	70
爬距 Creepage distance (mm)	900	900
重量 Weight (KG)	17.4	17.9
外形尺寸 Dimensions (CM)	74 × 33 × 19	74 × 33 × 19



33kV-38kV

型号 Type	RLC16	RLC16
额定电压 Rated voltage (kV)	33-38	33-38
额定电流 Rated current (A)	100	200
开断电流 Interrupting Current (KA)	8	10
冲击电压 Impulse withstand Voltage (BIL)(kV)	170	170
工频耐压 Power frequency withstand voltage (kV)	70	70
爬距 Creepage distance (mm)	660	660
重量 Weight (KG)	10.5	11.0
外形尺寸 Dimensions (CM)	58 × 38 × 15	58 × 38 × 15

C2 复合熔断器 Polymeric Fuse Cutouts



10kV-15kV

主要技术参数 Main Technical Parameters

型号 Type	RLF1	RLF1
额定电压 Rated voltage (kV)	10-15	10-15
额定电流 Rated current (A)	100	200
开断电流 Interrupting Current (KA)	10	12
冲击电压 Impulse withstand Voltage (BIL)(kV)	110	110
工频耐压 Power frequency withstand voltage (kV)	45	45
爬距 Creepage distance (mm)	360	360
重量 Weight (KG)	3.8	4.2
外形尺寸 Dimensions (CM)	45 × 34 × 11.5	45 × 34 × 11.5



10kV-15kV

型号 Type	RLF2	RLF2
额定电压 Rated voltage (kV)	10-15	10-15
额定电流 Rated current (A)	100	200
开断电流 Interrupting Current (KA)	10	12
冲击电压 Impulse withstand Voltage (BIL)(kV)	125	125
工频耐压 Power frequency withstand voltage (kV)	50	50
爬距 Creepage distance (mm)	400	400
重量 Weight (KG)	4	4.5
外形尺寸 Dimensions (CM)	44.5 × 37.5 × 15	44.5 × 37.5 × 15



24kV-27kV

型号 Type	RLF3	RLF3
额定电压 Rated voltage (kV)	24-27	24-27
额定电流 Rated current (A)	100	200
开断电流 Interrupting Current (KA)	10	12
冲击电压 Impulse withstand Voltage (BIL)(kV)	150	150
工频耐压 Power frequency withstand voltage (kV)	65	65
爬距 Creepage distance (mm)	570	570
重量 Weight (KG)	4	4.5
外形尺寸 Dimensions (CM)	51 × 34 × 11.5	51 × 34 × 11.5



20kV-27kV

型号 Type	RLF4	RLF4
额定电压 Rated voltage (kV)	20-27	20-27
额定电流 Rated current (A)	100	200
开断电流 Interrupting Current (KA)	10	12
冲击电压 Impulse withstand Voltage (BIL)(kV)	165	165
工频耐压 Power frequency withstand voltage (kV)	70	70
爬距 Creepage distance (mm)	600	600
重量 Weight (KG)	4.1	4.6
外形尺寸 Dimensions (CM)	52 × 35.5 × 13.5	52 × 35.5 × 13.5

主要技术参数 / Main Technical Parameters



22kV-27kV

型号 Type	RLF5	RLF5
额定电压 Rated voltage (kV)	22-27	22-27
额定电流 Rated current (A)	100	200
开断电流 Interrupting Current (KA)	8	10
冲击电压 Impulse withstand Voltage (BIL)(kV)	165	165
工频耐压 Power frequency withstand voltage (kV)	70	70
爬距 Creepage distance (mm)	855	855
重量 Weight (KG)	4.9	5.4
外形尺寸 Dimensions (CM)	53 × 39 × 17.5	53 × 39 × 17.5



24kV-36kV

型号 Type	RLF6	RLF6
额定电压 Rated voltage (kV)	24-36	24-36
额定电流 Rated current (A)	300	400
开断电流 Interrupting Current (KA)	8	10
冲击电压 Impulse withstand Voltage (BIL)(kV)	160	160
工频耐压 Power frequency withstand voltage (kV)	70	70
爬距 Creepage distance (mm)	800	800
重量 Weight (KG)	5.1	5.6
外形尺寸 Dimensions (CM)	60 × 34 × 14	60 × 34 × 14



24kV-36kV

型号 Type	RLF7	RLF7
额定电压 Rated voltage (kV)	24-36	24-36
额定电流 Rated current (A)	100	200
开断电流 Interrupting Current (KA)	10	12
冲击电压 Impulse withstand Voltage (BIL)(kV)	170	170
工频耐压 Power frequency withstand voltage (kV)	70	70
爬距 Creepage distance (mm)	720	720
重量 Weight (KG)	5	5
外形尺寸 Dimensions (CM)	61 × 34 × 11.5	61 × 34 × 11.5



30kV-36kV

型号 Type	RLF8	RLF8
额定电压 Rated voltage (kV)	30-36	30-36
额定电流 Rated current (A)	100	200
开断电流 Interrupting Current (KA)	10	12
冲击电压 Impulse withstand Voltage (BIL)(kV)	170	170
工频耐压 Power frequency withstand voltage (kV)	70	70
爬距 Creepage distance (mm)	900	900
重量 Weight (KG)	5.0	5.5
外形尺寸 Dimensions (CM)	63 × 36 × 16	63 × 36 × 16

主要技术参数 / Main Technical Parameters



30kV-36kV

型号 Type	RLF9	RLF9
额定电压 Rated voltage (kV)	30-36	30-36
额定电流 Rated current (A)	100	200
开断电流 Interrupting Current (KA)	10	12
冲击电压 Impulse withstand Voltage (BIL)(kV)	170	170
工频耐压 Power frequency withstand voltage (kV)	70	70
爬距 Creepage distance (mm)	1080	1080
重量 Weight (KG)	5.5	6.0
外形尺寸 Dimensions (CM)	63 × 35.5 × 17.5	63 × 35.5 × 17.5



33kV-42kV

型号 Type	RLF10	RLF10
额定电压 Rated voltage (kV)	33-42	33-42
额定电流 Rated current (A)	100	200
开断电流 Interrupting Current (KA)	10	12
冲击电压 Impulse withstand Voltage (BIL)(kV)	180	180
工频耐压 Power frequency withstand voltage (kV)	85	85
爬距 Creepage distance (mm)	1210	1210
重量 Weight (KG)	5.8	6.3
外形尺寸 Dimensions (CM)	67.5 × 34.5 × 17	67.5 × 34.5 × 17



33kV-48kV

型号 Type	RLF11	RLF11
额定电压 Rated voltage (kV)	33-48	33-48
额定电流 Rated current (A)	100	200
开断电流 Interrupting Current (KA)	10	12
冲击电压 Impulse withstand Voltage (BIL)(kV)	180	180
工频耐压 Power frequency withstand voltage (kV)	85	85
爬距 Creepage distance (mm)	1280	1280
重量 Weight (KG)	10	10.5
外形尺寸 Dimensions (CM)	84 × 55 × 18	84 × 55 × 18



30kV-36kV

型号 Type	RLF12	RLF12
额定电压 Rated voltage (kV)	30-36	30-36
额定电流 Rated current (A)	100	200
开断电流 Interrupting Current (KA)	10	12
冲击电压 Impulse withstand Voltage (BIL)(kV)	170	170
工频耐压 Power frequency withstand voltage (kV)	70	70
爬距 Creepage distance (mm)	1070	1070
重量 Weight (KG)	8.4	8.9
外形尺寸 Dimensions (CM)	58 × 59 × 16	58 × 59 × 16

主要技术参数 Main Technical Parameters



33kV-38kV

型号 Type	RLF13	RLF13
额定电压 Rated voltage (kV)	33-38	33-38
额定电流 Rated current (A)	100	200
开断电流 Interrupting Current (KA)	10	12
冲击电压 Impulse withstand Voltage (BIL)(kV)	170	170
工频耐压 Power frequency withstand voltage (kV)	70	70
爬距 Creepage distance (mm)	1120	1120
重量 Weight (KG)	10.4	10.9
外形尺寸 Dimensions (CM)	70 × 71 × 11.5	70 × 71 × 11.5



33kV-38kV

型号 Type	RLF14	RLF14
额定电压 Rated voltage (kV)	33-38	33-38
额定电流 Rated current (A)	100	200
开断电流 Interrupting Current (KA)	10	12
冲击电压 Impulse withstand Voltage (BIL)(kV)	170	170
工频耐压 Power frequency withstand voltage (kV)	70	70
爬距 Creepage distance (mm)	1110	1110
重量 Weight (KG)	16.3	16.8
外形尺寸 Dimensions (CM)	88 × 69 × 17	88 × 69 × 17

C3 带灭弧罩熔断器 Load Break Fuse Cutout

Note: All the types of cutouts fuse can add Load-break device. For example, Model: RL□□F

□□: C1.....C16, F1.....F14.

主要技术参数 Main Technical Parameters



10kV-15kV

型号 Type	RLC1F	RLC1F
额定电压 Rated voltage (kV)	10-15	10-15
额定电流 Rated current (A)	100	200
开断电流 Interrupting Current (KA)	8	10
冲击电压 Impulse withstand Voltage (BIL)(kV)	110	110
工频耐压 Power frequency withstand voltage (kV)	45	45
爬距 Creepage distance (mm)	240	240
重量 Weight (KG)	6.0	6.5
外形尺寸 Dimensions (CM)	44.5 × 34 × 15	44.5 × 34 × 15



15kV-27kV

型号 Type	RLC5F	RLC5F
额定电压 Rated voltage (kV)	15-27	15-27
额定电流 Rated current (A)	100	200
开断电流 Interrupting Current (KA)	8	10
冲击电压 Impulse withstand Voltage (BIL)(kV)	125	125
工频耐压 Power frequency withstand voltage (kV)	45	45
爬距 Creepage distance (mm)	350	350
重量 Weight (KG)	7.3	7.8
外形尺寸 Dimensions (CM)	53 × 38 × 14.5	53 × 38 × 14.5



10kV-15kV

型号 Type	RLC8F	RLC8F
额定电压 Rated voltage (kV)	10-15	10-15
额定电流 Rated current (A)	100	200
开断电流 Interrupting Current (KA)	6	8
冲击电压 Impulse withstand Voltage (BIL)(kV)	110	110
工频耐压 Power frequency withstand voltage (kV)	45	45
爬距 Creepage distance (mm)	300-410	300-410
重量 Weight (KG)	7.8-10.8	7.8-10.8
外形尺寸 Dimensions (CM)	58 × 52 × 18	58 × 52 × 18



30kV-36kV

型号 Type	RLF9F	RLF9F
额定电压 Rated voltage (kV)	30-36	30-36
额定电流 Rated current (A)	100	200
开断电流 Interrupting Current (KA)	10	12
冲击电压 Impulse withstand Voltage (BIL)(kV)	170	170
工频耐压 Power frequency withstand voltage (kV)	70	70
爬距 Creepage distance (mm)	1080	1080
重量 Weight (KG)	6.1	6.6
外形尺寸 Dimensions (CM)	64.5 × 38.5 × 18	64.5 × 38.5 × 18

主要技术参数 Main Technical Parameters



10kV-15kV

型号 Type	RLF2F	RLF2F
额定电压 Rated voltage (kV)	10-15	10-15
额定电流 Rated current (A)	100	200
开断电流 Interrupting Current (KA)	10	12
冲击电压 Impulse withstand Voltage (BIL)(kV)	125	125
工频耐压 Power frequency withstand voltage (kV)	50	50
爬距 Creepage distance (mm)	400	400
重量 Weight (KG)	4.2	4.7
外形尺寸 Dimensions (CM)	49.5 × 40 × 19	49.5 × 40 × 19



22kV-27kV

型号 Type	RLF4F	RLF4F
额定电压 Rated voltage (kV)	22-27	22-27
额定电流 Rated current (A)	300	400
开断电流 Interrupting Current (KA)	10	12
冲击电压 Impulse withstand Voltage (BIL)(kV)	165	165
工频耐压 Power frequency withstand voltage (kV)	70	70
爬距 Creepage distance (mm)	600	600
重量 Weight (KG)	4.6	5.1
外形尺寸 Dimensions (CM)	50.5 × 35 × 13	50.5 × 35 × 13

C4 Fuse Cutout Bar Type

Note: Almost the types of fuse cutout can reach 400 A, For example

主要技术参数 Main Technical Parameters



10kV-15kV

型号 Type	RLC1	RLC1
额定电压 Rated voltage (kV)	10-15	10-15
额定电流 Rated current (A)	300	400
开断电流 Interrupting Current (KA)	8	10
冲击电压 Impulse withstand Voltage (BIL)(kV)	110	110
工频耐压 Power frequency withstand voltage (kV)	42	42
爬距 Creepage distance (mm)	250	250
重量 Weight (KG)	6	6.5
外形尺寸 Dimensions (CM)	42.5 × 35.5 × 12	42.5 × 35.5 × 12

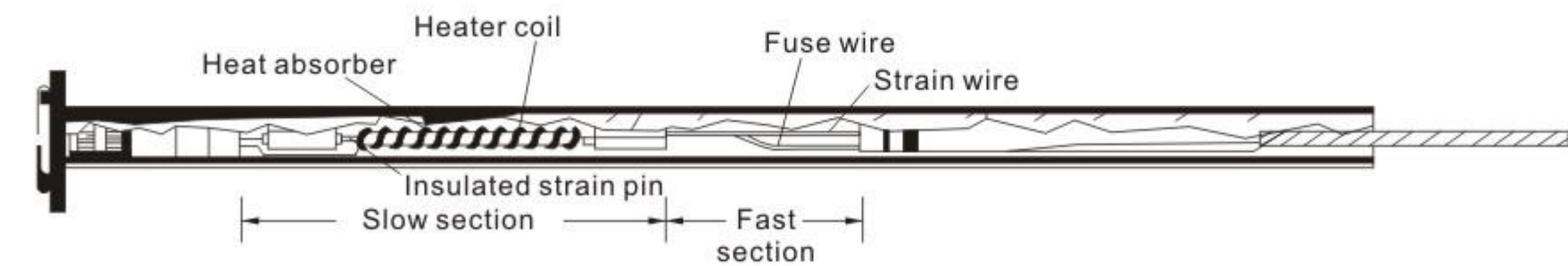
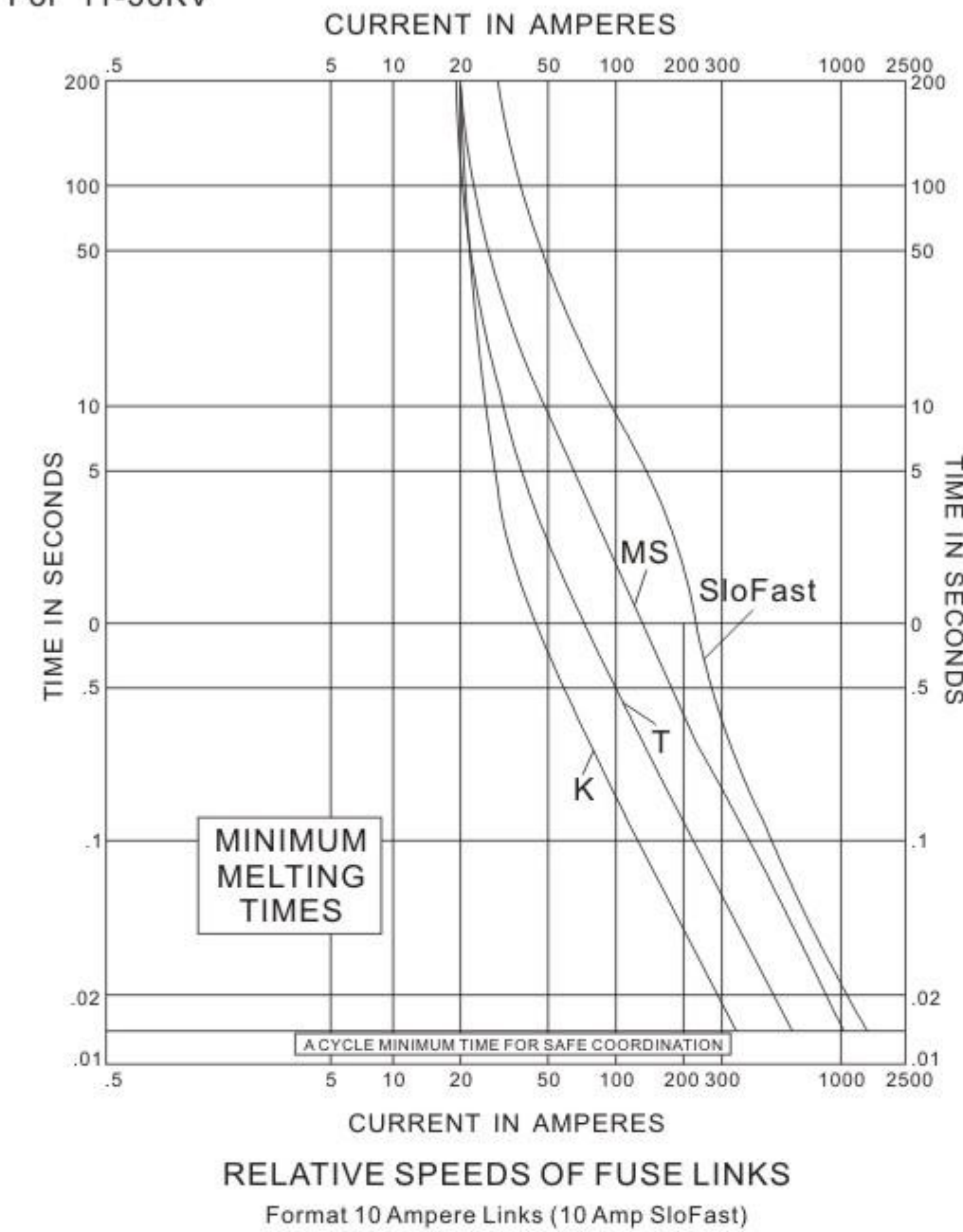


27kV-33kV

型号 Type	RLF6	RLF6
额定电压 Rated voltage (kV)	27-33	27-33
额定电流 Rated current (A)	300	400
开断电流 Interrupting Current (KA)	8	10
冲击电压 Impulse withstand Voltage (BIL)(kV)	160	160
工频耐压 Power frequency withstand voltage (kV)	70	70
爬距 Creepage distance (mm)	800	800
重量 Weight (KG)	5.1	5.6
外形尺寸 Dimensions (CM)	60 × 34 × 14	60 × 34 × 14

C5 Fuse Links

Type K, T, H, D Lengch
Current in Ampercs, 23', 31" For 11-36KV



Fixed head:

Removable head:



C6 Hook stick tools



Hook stick , RLT portable loadbreak tool

HookStick is first attached to a universal pole at least six feet long, it is then positioned across the front of the Type FSC Cutout, with the HookStick anchor hung on the attachment hook on the far side of the cutout. The pull ring of the fuse tube or disconnect blade is engaged with HookStick's pull-ring hook and held fast with HookStick's pull-ring of the fuse tube or disconnect blade is engaged with HookStick's pull-ring hook and held fast HookStick's pull-ring latch. As the universal pole is pulled downward with a firm, steady stroke, and as HookStick is extended to its maximum length, the cutout is opened and the current is diverted through HookStick-at the same time HookStick's opening stroke, its internal trigger trips, the charged operating spring is released, the internal contact are separated, and the circuit is positively interrupted. The only sound is that of HookStick tripping.

Circuit interruption is independent of the speed at which the HookStick tool is operated. All that is required is a smooth operating stroke, without hesitation, without jerking, until the tool is extended to its maximum length. The resetting latch retains the tool in the open position for removal from the cutout-and until released to reset HookStick for its next operation.

And resetting HookStick is easy, too merely release the resetting latch and firmly close the extended tool to its fully telescoped position, it's that simple. For detailed information on HookStick, RIT's portable loadbreak tool, see FRT Descriptive Bulletin 811-30.

1. ATTACH

Reach across the front of the cutout and attach HookStick's anchor to the attachment hook on the far side of the cutout, and then engage its pull ring with HookStick's pull-ring hook.

HookStick's pull-ring latch prevents disengagement of the cutout pull ring and HookStick's pulling hook.

2. PULL

A firm, steady downward pull on HookStick-to its maximum extended length-opens the cutout in the normal manner as the current is diverted through HookStick, At a predetermined point in the opening stroke, HookStick trips, breaking the circuit positively.

3. REMOVE

HookStick is disengaged by first removing its anchor from the cutout attachment hook. Then with the blade in the open position, HookStick is removed from the pull ring with a simple "roll-off" motion.

D1 单相隔离开关 Single Phase Disconnect Switch

GW9系列 GW9 Series



主要技术参数 Main Technical Parameters

额定电压 Rated voltage(KV)	10-15 KV	20-27 KV	30-38 KV
额定电流 Rated current(A)	400-1250 A	400-1250 A	400-1250 A
爬距 Creepage distance(mm)	300-400 mm	450-580 mm	740-900 mm

HGW9系列 HGW9 Series

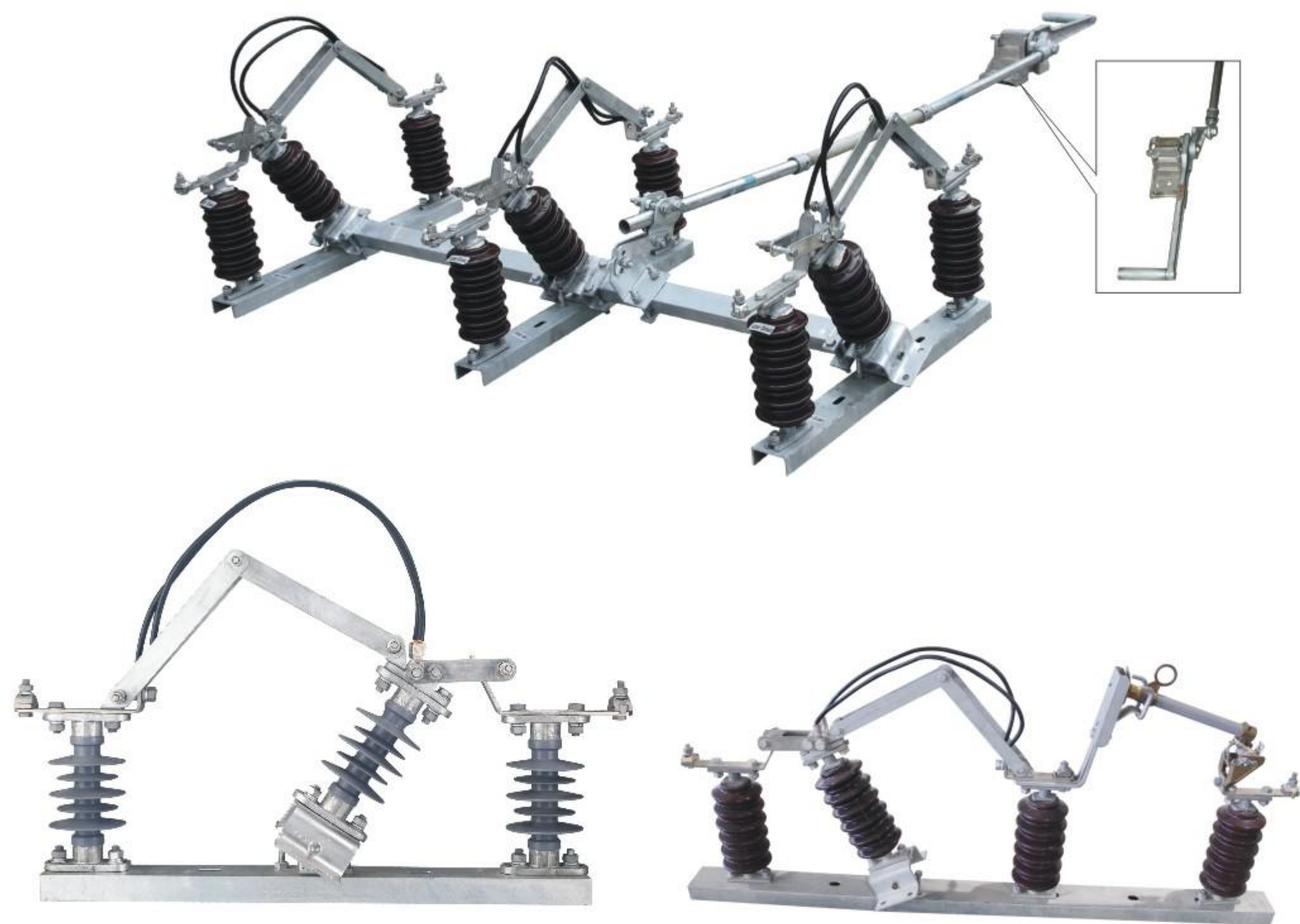


主要技术参数 Main Technical Parameters

额定电压 Rated voltage(KV)	11-15 KV	20-27 KV	30-48 KV
额定电流 Rated current(A)	400-1250 A	400-1250 A	400-1250 A
爬距 Creepage distance(mm)	370-520 mm	700-900 mm	1000-1500 mm

D2 三相隔离开关 Three-phase Disconnect Switch

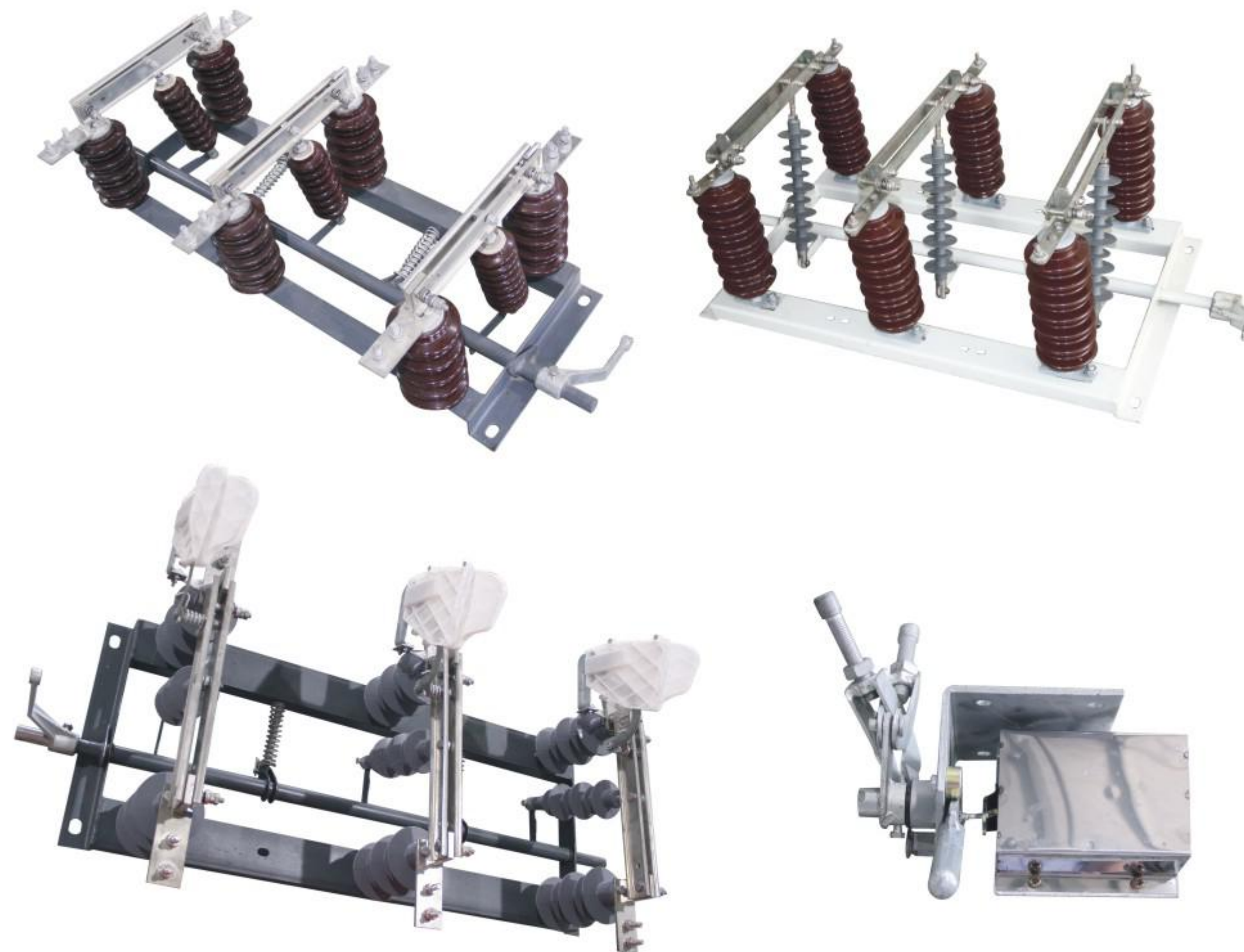
RGW, HRGW系列 RGW, HRGW Series



主要技术参数 Main Technical Parameters

型号 Type	额定电压 Rated voltage (KV)	额定电流 Rated current (A)	爬距 Creepage distancee (mm)	4S 热稳定 电流 4S Heat steady e.c (A)	动稳定 电流 Shock voltage (A)	冲击耐压 Impulse withstand voltage		工频耐压 Power-frequency withstand voltage	
						相对地 To earth (KV)	断口间 Across the isolating distance(KV)	相对地 To earth (KV)	断口间 Across the isolating distance(KV)
RGW	10-15	400-1250	300-400	12500	31500	75	95	38	42
RGW	20-27	400-1250	420-580	12500	31500	120	150	50	60
RGW	30-36	400-1250	660-900	12500	31500	170	195	70	80
HRGW	10-15	400-1250	370-520	12500	31500	75	95	38	42
HRGW	20-27	400-1250	600-800	12500	31500	100	120	45	50
HRGW	30-36	400-1250	900-1200	12500	31500	170	195	70	80

GW1, HRGW1系列 RGW/HRGW Series



主要技术参数 Main Technical Parameters

型号 Type	额定电压 Rated voltage (KV)	额定电流 Rated current (A)	爬距 Creepage distancee (mm)	4S 热稳定 电流 4S Heat steady e.c (A)	动稳定 电流 Shock voltage (A)	冲击耐压 Impulse withstand voltage		工频耐压 Power-frequency withstand voltage	
						相对地 To earth (KV)	断口间 Across the isolating distance(KV)	相对地 To earth (KV)	断口间 Across the isolating distance(KV)
GW1	10-15	400-1250	300-400	12500	31500	75	95	38	42
GW1	20-27	400-1250	420-580	12500	31500	120	150	50	60
GW1	30-36	400-1250	660-900	12500	31500	170	195	70	80
HGW1	10-15	400-1250	370-520	12500	31500	75	95	38	42
HGW1	20-27	400-1250	600-800	12500	31500	100	120	45	50
HGW1	30-36	400-1250	900-1200	12500	31500	170	195	70	80



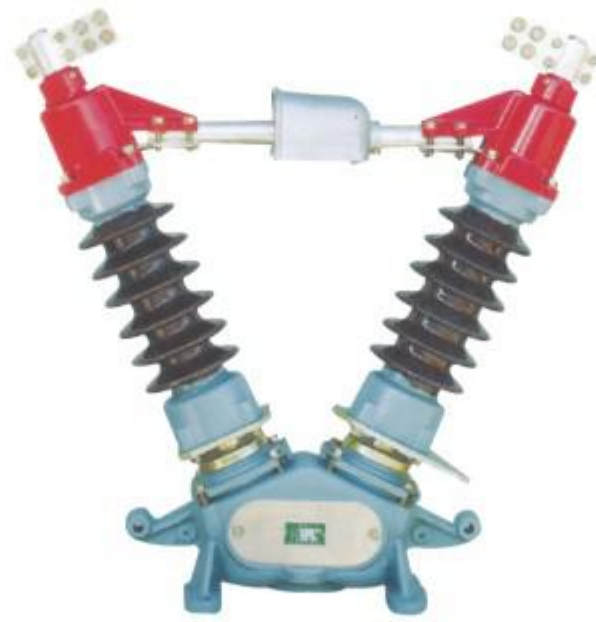
GW4系列 GW4 Series



主要技术参数 Main Technical Parameters

型号 Type	额定电压 Rated voltage (KV)	额定电流 Rated current (A)	热稳定电流 (有效值) 4S heat steady current (KA)	动稳定电流 (有效值) Shock steady current (KA)	放冲击耐压 (kV) Impulse withstand voltage		工作耐压 (kV) Power- frequency withstand voltage	
					相对地 TO earth	断口间 Across the isolating distance	相对地 TO earth	断口间 Across the isolating distance
GW4-10	10	400-1250	12.5	50,80	70	85	35	40
GW4-15	15	400-1250	12.5	50,80	75	95	38	42
GW4-35	35	400-1250	12.5	50,80	185	215	70	90
GW4-63	63	630-1250	20,31.5,40	50,80	325	375	80	160
GW4-100	100	630-1250	20,31.5,40	50,80	450	520	140	210
GW4-110G	110	2000-2500	20,31.5,40	50,80	450	550	185	210
GW4-145	145	2000-2500	20,31.5,40	50,80,100	650	750	275	315
GW4-220	220	2000-2500	31.5,40,50	80,100,125	950	1050	385	460
GW4-245	245	2000-2500	31.5,40,50	80,100,125	950	1050	385	460

GW5系列 GW5 Series



主要技术参数 Main Technical Parameters

型号 Type	额定电压 Rated voltage (kV)	额定电流 Rated current (A)	隔离开关 Isolate switch(kA)		隔离开关 Isolate switch(kA)		额定电压 Rated voltage (kV)	接地开关 Earth switch
			额定短时耐受电流 Rated short-time withstand current	额定峰值耐受电流 Rated peak withstand current	额定短时耐受电流 Rated short-time withstand current	额定峰值耐受电流 Rated peak withstand current		
			20(4s)					
GW5-40.5D(W)	40.5		31.5(4s)	50			一般型 General type	不接地 No grounding
GW5-69D(W)	69	400-1250	31.5(4s)		20(4s) 31.5(4s)	50 80	(防污型) Anti-fouling type	单接地 Single grounding
GW5-126D(W)	126		31.5(4s)	50				双接地 Double grounding



E1 接地金具 Grounding Fittings

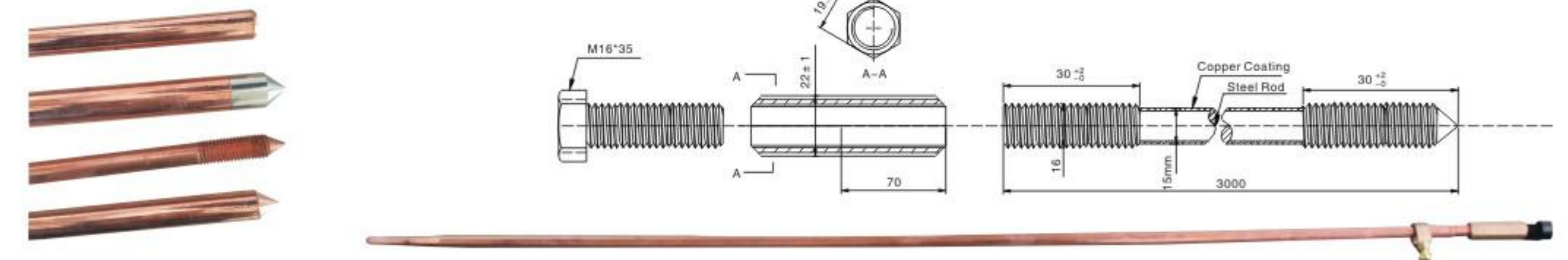
1. 接地棒线夹系列 Grounding Clamp Series



型号 Catalog NO.	主要尺寸Dimensions(mm)			重量 Weight (kg)	镀层 Coating(kg)
	L	W	H		
GDX-16	50	32	25	0.85	热镀锌Hot-dip galvanized
GDX-16	50	32	25	0.85	电镀铜Copper plated
GDT-16	42	27	25	0.20	铜合金Brassing

接地线夹为可锻铸铁或铜合金，热镀锌。螺栓为钢制件或铜合金。
The body is made of malleable iron. cotter pin is stainless steel, the other parts are steel, All ferrous parts are hot-dip galvanized.

2. 接地棒系列 Grounding Rod Series

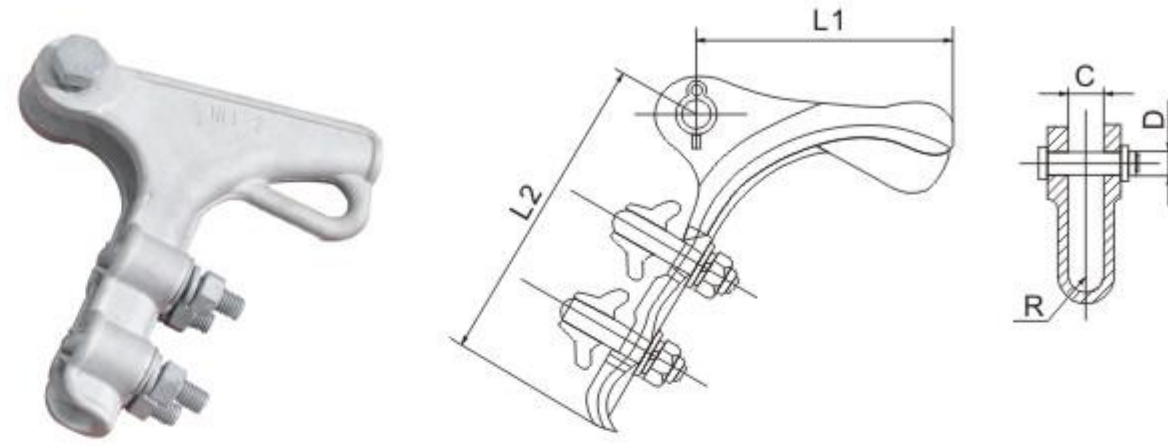


型号 Catalog NO.	主要尺寸Dimensions(mm)		重量 Weight (kg)	镀层 Coating(kg)
	d	L		
JDX-1410	14	1000	1.2	热镀锌Hot-dip galvanized
JDX-1420	14	2000	2.4	
JDX-1610	16	1000	1.6	
JDX-1620	16	2000	3.2	
JDX-1630	16	3000	4.7	
JDT-1410	14	1000	1.2	电镀铜Copper plated
JDT-1420	14	2000	2.4	
JDT-1610	16	1000	1.6	
JDT-1620	16	2000	3.2	
JDT-1630	16	3000	4.7	
JBT-1410	14	1000	1.25	铜合金Brassing
JBT-1420	14	2000	2.5	
JBT-1610	16	1000	1.68	
JBT-1620	16	2000	3.36	
JBT-1630	16	3000	4.95	

接地棒镀层分为三种：JDX型是热镀锌钢接地棒，JDT型是电镀铜钢接地棒，JBT是铜包钢接地棒。
The grounding rods are made in according to three coated ways. "JDX" type are made of hot-dip galvanized steel, "JDT" type are made of copper plated steel, "JBT" type are made of copper coated steel.

E2 耐张线夹 Strain Clamp

NLD Malleable Cast-Iron Strain Clamp

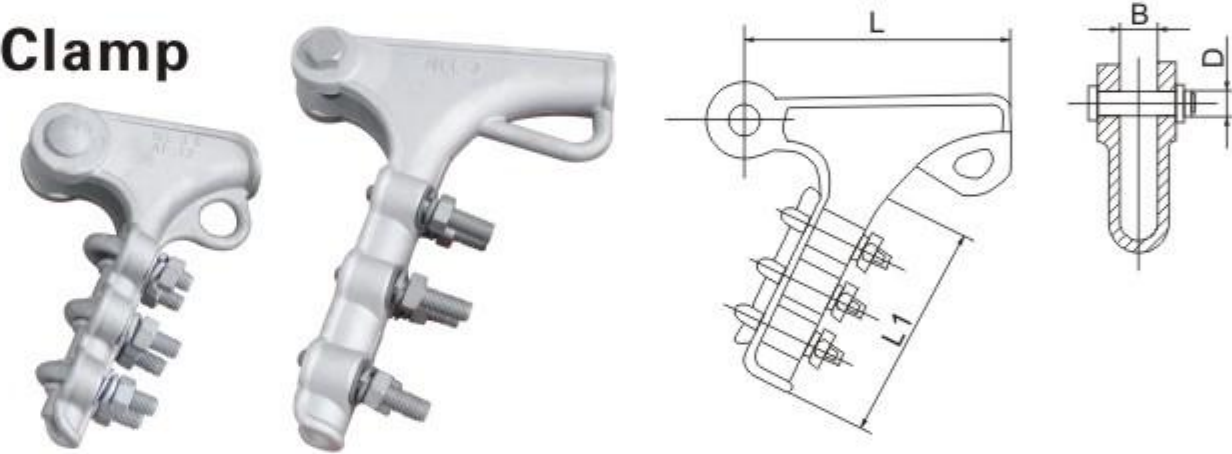


Type	Conductor (mm)	Dimensions(mm)					Bolt		Failure load (K/N)
		D	C	L1	L2	R	No.	D	
NLD-1	5.0~10.0	16	18	150	120	6.5	2	16	18
NLD-2	10.1~14.0	16	18	205	130	8.0	3	16	41
NLD-3	14.1~18.0	18	22	310	160	11.0	4	18	71
NLD-4	18.1~23.0	18	22	410	220	12.5	5	18	91

NPL Aluminum Alloy Strain Clamp

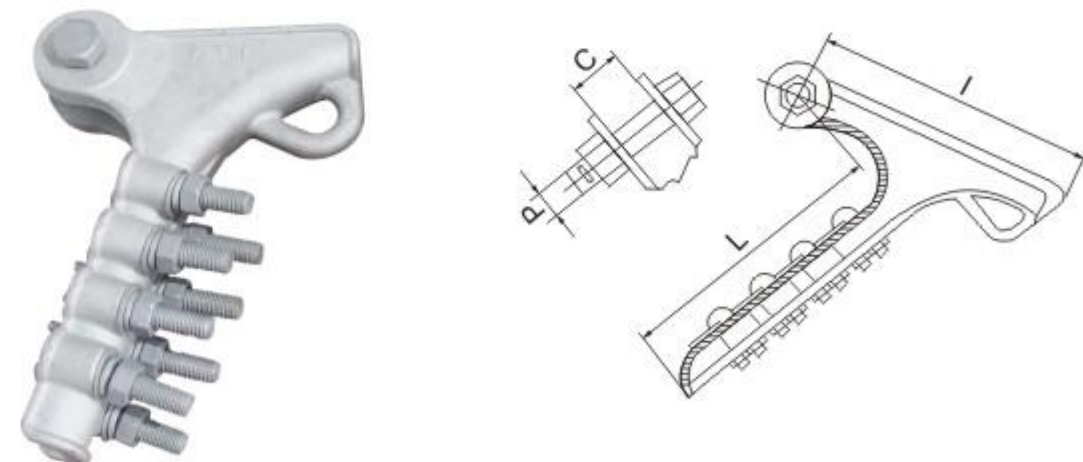
Application:

The wire clamp is applicable to fix small-section aluminium-splicing wire and steel-splicing wire on a pole, it is made of highly strong aluminium alloy.



Type	Conductor (mm)	Dimensions(mm)				Failure load (K/N)
		D	B	L	L1	
NPL-1	5.1~11.4	16	18	155	208	60
NPL-2	11.4~18	16	18	130	205	70
NPL-3	15.7~26	18	22	204	240	80
NPL-4	22.5~30	18	22	295	337	90

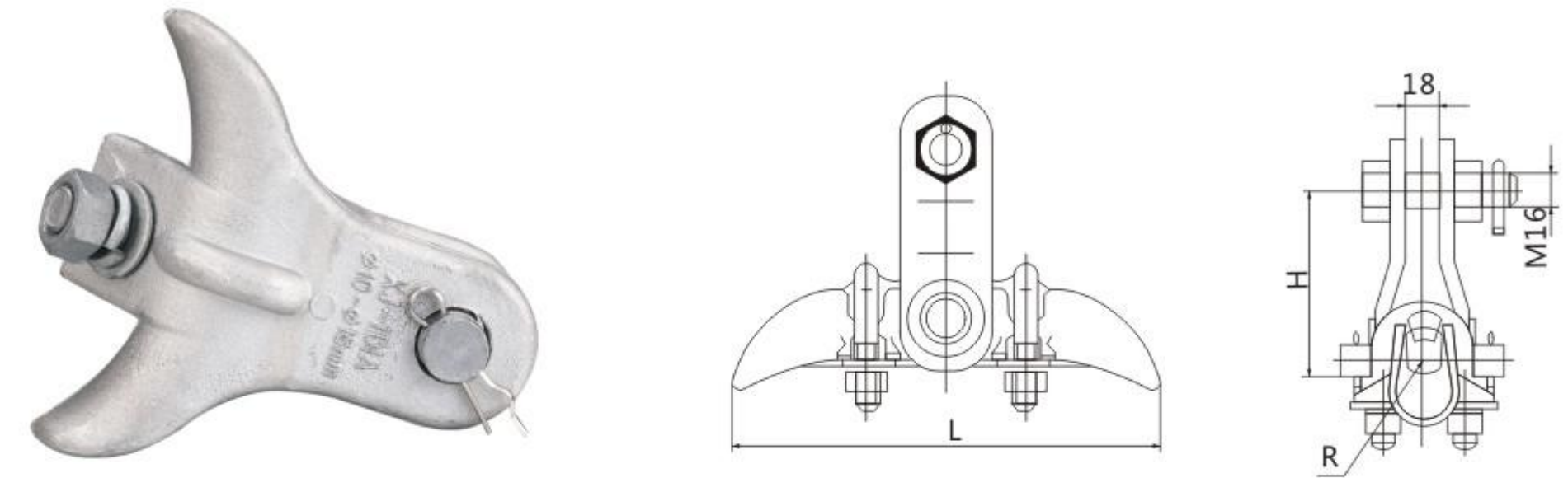
NLL Relaxation-Proof Clip Alumium Alloy Strain Clamp



Type	Conductor (mm)	Dimensions(mm)				Failure load (K/N)
		D	I	C	D	
NLL-1	5.1~11.4	125	110	19	16	40
NLL-2	8.9~18.5	175	186	24	16	40
NLL-3	5.0~15.0	190	205	18	16	70
NLL-4	12.1~21.8	300	285	30	18	90
NLL-5	18.0~30.0	445	345	36	24	120

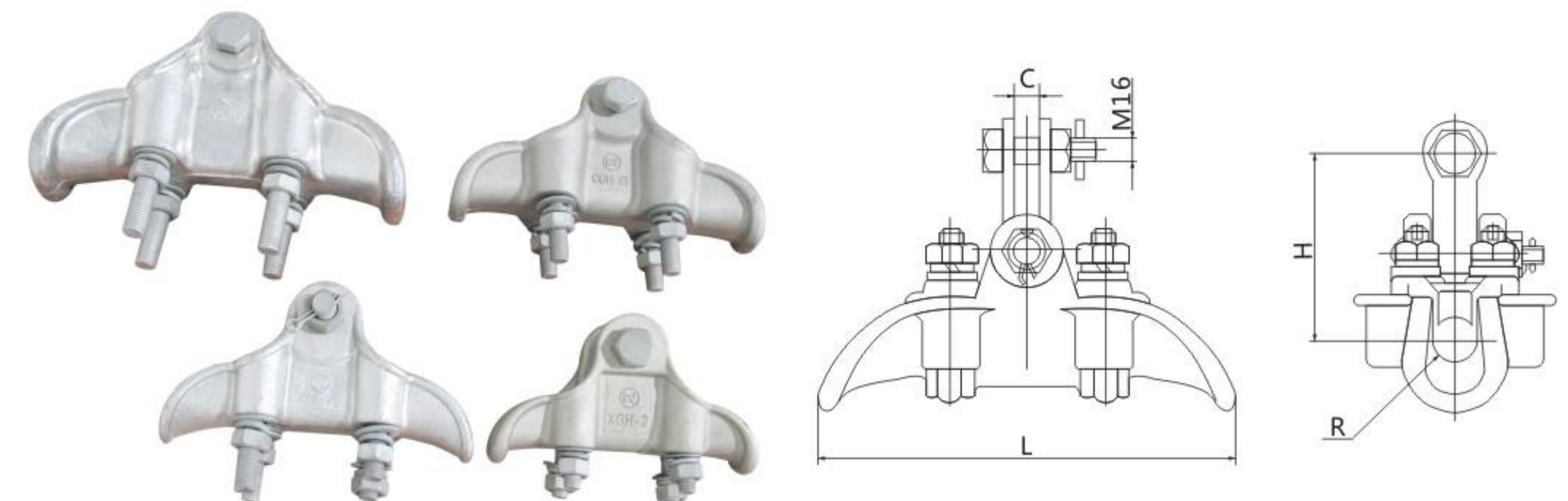
E3 悬垂线夹 Suspension Clamp

XGU Malleable Iron Suspension Clamp



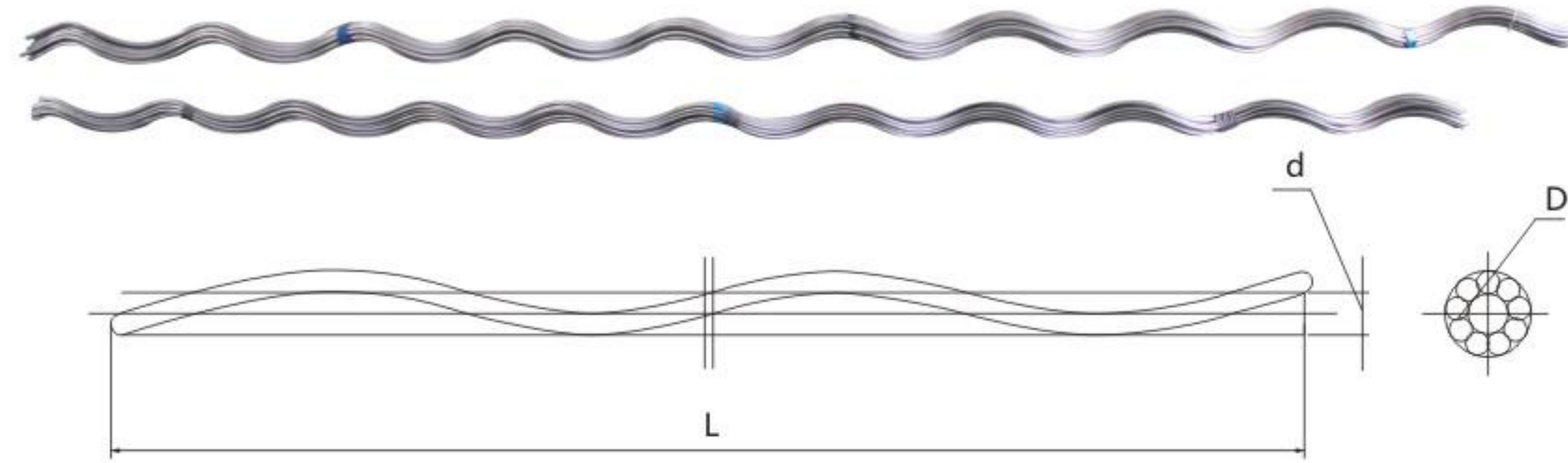
Type	Suitable conductor (with wraps)(mm)	Dimensions(mm)			Untimeate strength (K/N)	Weight (kg)
		H	L	R		
XGU-1	5.0~7.0	82.5	180	4.0	≥40	1.4
XGU-2	7.1~13.0	82	200	7.0	≥40	1.8
XGU-3	13.1~21.0	101	220	11.0	≥40	2.0
XGU-4	21.1~26.0	109	250	13.5	≥40	3.0

XGF Droop Type Suspension Type



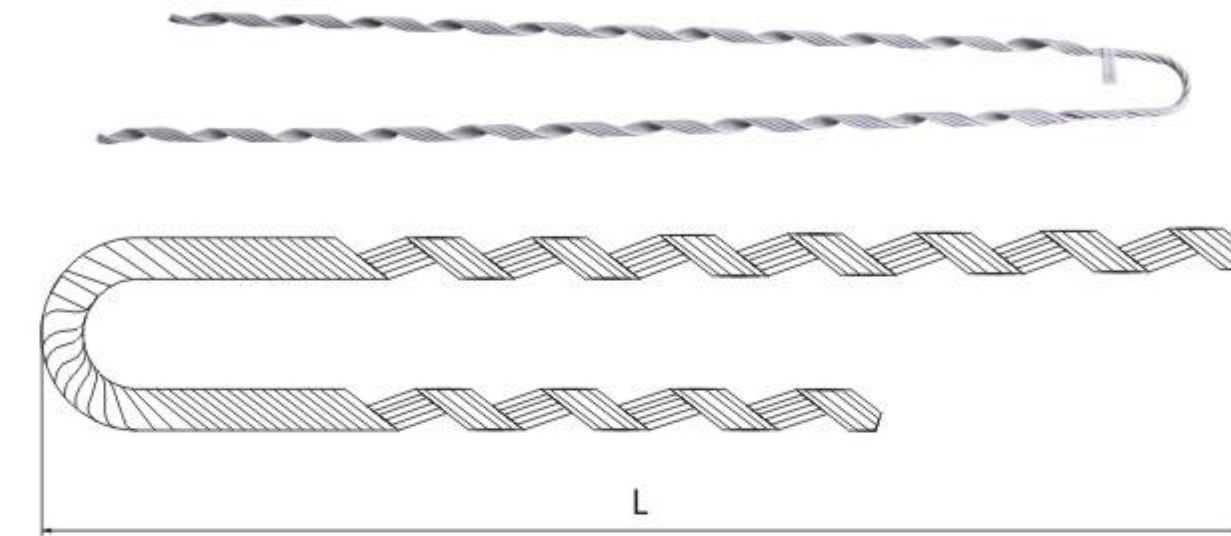
Type	Suitable conductor (with wraps)(mm)	Dimensions(mm)				Untimeate strength (K/N)	Weight (kg)
		C	H	L	R		
XGF-5X	2.37~27.6	18	147	300	17	60	3.55
XGF-7X	35.0~44.0	20	135	300	22	75	4.50
XGF-6X	45.0~48.7	18	135	300	26	60	4.85

E4 预绞丝护线条 Preformed Armour Rodsr



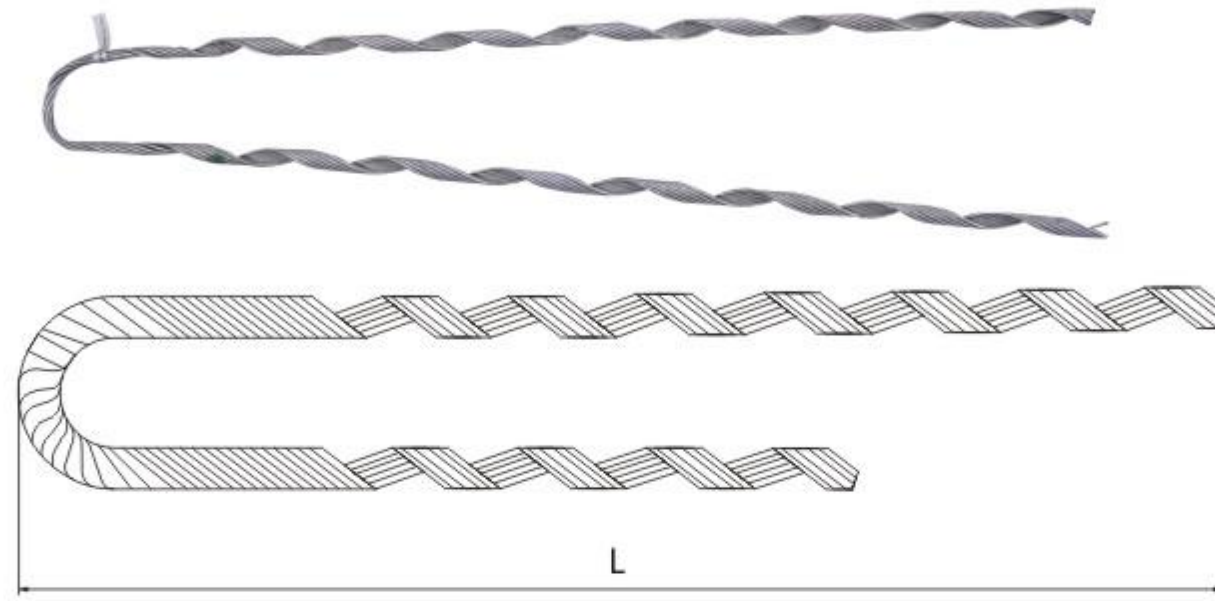
型号 Catalog NO.	适用导线 Suitable Conductor	主要尺寸/Dimensions(mm)			每组根数 NO. of a group	重量 Weight(kg)
		D	d	L		
FYH-95/15	LGJ-95/15	3.6	11.4	1400	13	0.5
FYH-95/20	LGJ-95/20	3.6	11.4	1400	13	0.5
FYH-95/55	LGJ-95/55	3.6	13.3	1500	16	0.6
FYH-120/7	LGJ-120/7	3.6	12.0	1400	14	0.6
FYH-120/20	LGJ-120/20	3.6	12.5	1400	14	0.6
FYH-120/25	LGJ-120/25	3.6	13.0	1400	14	0.6
FYH-120/70	LGJ-120/70	3.6	14.9	1800	16	0.8
FYH-150/8	LGJ-150/8	3.6	13.3	1500	16	0.6
FYH-150/20	LGJ-150/20	3.6	14.7	1500	16	0.7
FYH-150/25	LGJ-150/25	3.6	14.2	1500	16	0.7
FYH-150/35	LGJ-150/35	3.6	14.5	1500	16	0.7
FYH-185/10	LGJ-185/10	4.6	14.9	1800	14	1.2
FYH-185/25	LGJ-185/25	4.6	15.7	1800	14	1.3
FYH-185/30	LGJ-185/30	4.6	15.7	1800	14	1.3
FYH-185/45	LGJ-185/45	4.6	16.3	1800	14	1.3
FYH-210/10	LGJ-210/10	4.6	15.9	1800	14	1.3
FYH-210/25	LGJ-210/25	4.6	16.6	1800	14	1.3
FYH-210/35	LGJ-210/35	4.6	16.9	1800	14	1.3
FYH-210/50	LGJ-210/50	4.6	17.3	1800	14	1.3
FYH-240/30	LGJ-240/30	4.6	17.9	1900	16	1.4
FYH-240/40	LGJ-240/40	4.6	17.9	1900	16	1.4
FYH-240/55	LGJ-240/55	4.6	18.6	1900	16	1.4
FYH-300/15	LGJ-300/15	6.3	19.1	2000	13	2.3
FYH-300/20	LGJ-300/20	6.3	19.4	2000	13	2.3
FYH-300/25	LGJ-300/25	6.3	19.7	2000	13	2.3
FYH-300/40	LGJ-300/40	6.3	19.9	2000	13	2.3
FYH-300/50	LGJ-300/50	6.3	20.1	2000	13	2.3
FYH-300/70	LGJ-300/70	6.3	20.9	2000	13	2.3
FYH-400/20	LGJ-400/20	6.3	22.3	2200	14	2.8
FYH-400/25	LGJ-400/25	6.3	22.1	2200	14	2.8
FYH-400/35	LGJ-400/35	6.3	22.3	2200	14	2.8
FYH-400/50	LGJ-400/50	6.3	23.0	2200	14	2.8
FYH-400/65	LGJ-400/65	6.3	23.2	2200	14	2.8
FYH-400/95	LGJ-400/95	6.3	24.8	2500	14	2.8
FYH-500/35	LGJ-500/35	6.3	24.9	2500	16	3.5
FYH-500/45	LGJ-500/45	6.3	24.9	2500	16	3.5
FYH-500/65	LGJ-500/65	6.3	25.7	2500	16	3.5
FYH-630/45	LGJ-630/45	7.8	27.9	2500	15	5.3
FYH-630/55	LGJ-630/55	7.8	28.5	2500	15	5.3
FYH-630/80	LGJ-630/80	7.8	28.9	2500	15	5.3
FYH-720/50	LGJ-720/50	7.8	30	3000	15	6.4
FYH-800/55	LGJ-800/55	7.8	31.8	2500	17	6.0
FYH-800/70	LGJ-800/70	7.8	32.1	2500	17	6.0
FYH-800/100	LGJ-800/100	7.8	32.3	2500	17	6.0
FYH-50BG	LBGJ-50-23AC	3.6	7.7	1000	9	1.0
FYH-80BG	JLB1A-80	3.6	9.6	1400	12	1.6
FYH-100BG	LBGJ-100-20AC	3.6	11.0	1400	12	1.9
FYH-120BG	JLB1A-120	3.6	12.0	1400	14	1.7
FYH-150BG	LBGJ-150-40AC	3.6	13.2	1500	15	2.0
FYH-185BG	LBGJ-185-20AC	3.6	14.5	1500	16	2.1

E5 预成型拉紧线夹(适用铝包钢绞线)
Dead-End Clamp(for aluminium covered steel stranded wire)



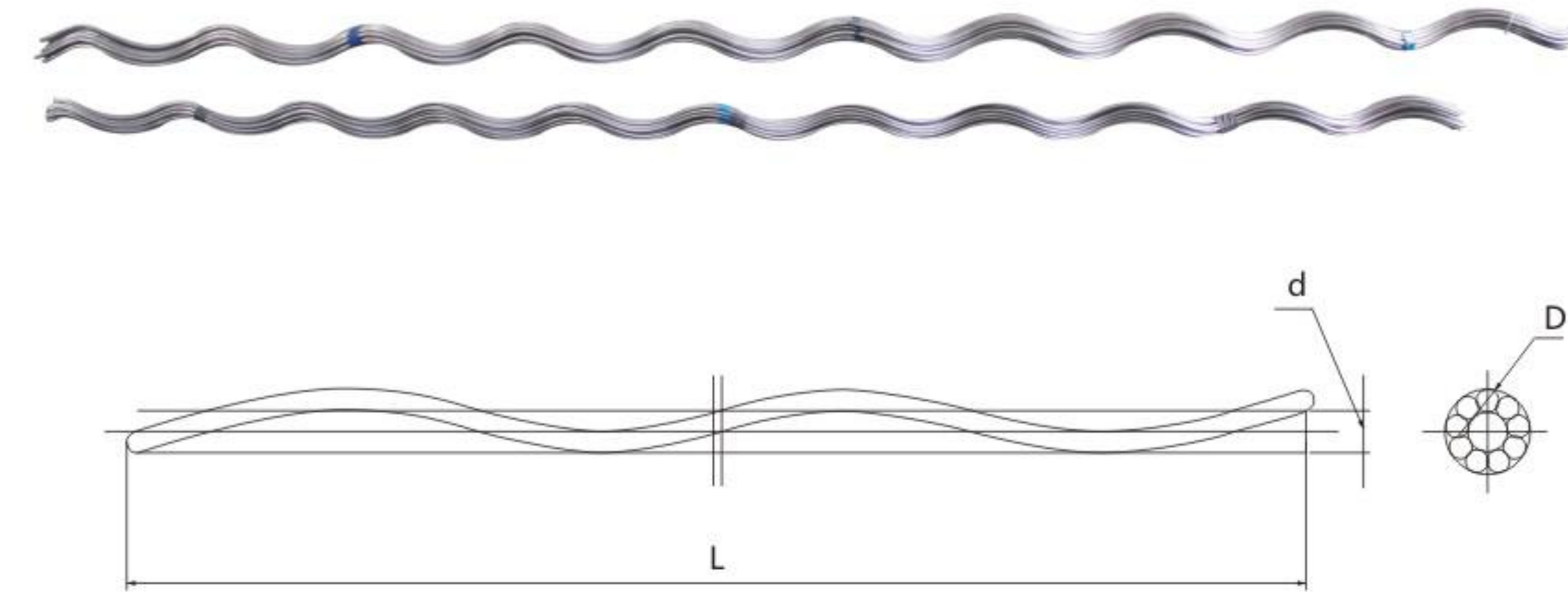
型号 Catalog NO.	适用线径 Conductor Dia.	长度(mm) L Length	每组根数 NO. of a group	类型色标 Mode Color code	型号色标 Type Color code
NBG-21410	4.00-4.29	480	4	Red	Red
NBG-21440	4.30-4.59	480	4	Red	Blue
NBG-21470	4.60-4.89	480	4	Red	Green
NBG-21500	4.90-5.19	480	4	Red	Black
NBG-23530	5.20-5.49	590	5	Red	Yellow
NBG-23560	5.50-5.79	590	5	Red	Brown
NBG-23590	5.80-6.09	590	5	Red	White
NBG-23620	6.10-6.39	590	5	Red	Red
NBG-23650	6.40-6.69	590	5	Red	Green
NBG-25680	6.70-6.99	660	5	Red	Blue
NBG-25710	7.00-7.29	660	5	Red	Black
NBG-25740	7.30-7.59	660	5	Red	Brown
NBG-25770	7.60-7.89	660	5	Red	White
NBG-25800	7.90-8.19	660	5	Red	Red
NBG-25830	8.20-8.49	820	6	Red	Blue
NBG-28860	8.50-8.79	820	6	Red	Green
NBG-28890	8.80-9.09	820	6	Red	Black
NBG-28920	9.10-9.39	820	6	Red	Yellow
NBG-28950	9.40-9.69	820	6	Red	Brown
NBG-28980	9.70-9.99	820	6	Red	White
NBG-30101	10.00-10.29	960	6	Red	Red
NBG-30104	10.30-10.59	960	6	Red	Blue
NBG-30107	10.60-10.89	960	6	Red	Green
NBG-30110	10.90-11.19	960	6	Red	Black
NBG-32113	11.20-11.49	1060	6	Red	Yellow
NBG-32116	11.50-11.79	1060	6	Red	Brown
NBG-32119	11.80-12.09	1060	6	Red	White
NBG-32122	12.10-12.39	1060	7	Red	Red
NBG-32125	12.40-12.69	1060	7	Red	Blue
NBG-35128	12.70-12.99	1200	6	Red	Blue
NBG-35131	13.00-13.29	1200	6	Red	Yellow
NBG-35134	13.30-13.59	1200	7	Red	Green
NBG-35137	13.60-13.89	1200	7	Red	Brown
NBG-35140	13.90-14.19	1200	7	Red	White
NBG-35143	14.20-14.49	1200	7	Red	Black

预成型拉紧线夹(适用钢绞线)
Dead-End Clamp(for stranded wire)



型号 Catalog NO.	适用线径 Conductor Dia.	长度(mm) L Length	每组根数 NO. of a group	类型色标 Mode Color code	型号色标 Type Color code
NG-21410	4.00-4.29	540	4	Red	Red
NG-21440	4.30-4.59	540	4	Red	Blue
NG-21470	4.60-4.89	540	4	Red	Green
NG-21500	4.90-5.19	540	4	Red	Black
NG-23530	5.20-5.49	630	4	Red	Yellow
NG-23560	5.50-5.79	630	4	Red	Brown
NG-23590	5.80-6.09	630	5	Red	White
NG-23620	6.10-6.39	630	5	Red	Red
NG-23650	6.40-6.69	630	5	Red	Blue
NG-25680	6.70-6.99	760	5	Red	Black
NG-25710	7.00-7.29	760	5	Red	Brown
NG-25740	7.30-7.59	760	5	Red	Green
NG-25770	7.60-7.89	760	5	Red	White
NG-25800	7.90-8.19	760	5	Red	Yellow
NG-25830	8.20-8.49	760	6	Red	Brown
NG-28860	8.50-8.79	910	6	Red	Red
NG-28890	8.80-9.09	910	6	Red	Blue
NG-28920	9.10-9.39	910	6	Red	Black
NG-28950	9.40-9.69	910	6	Red	Green
NG-28980	9.70-9.99	910	6	Red	Yellow
NG-30101	10.00-10.29	940	6	Red	Red
NG-30104	10.30-10.59	940	6	Red	Brown
NG-30107	10.60-10.89	940	6	Red	Blue
NG-30110	10.90-11.19	940	6	Red	Red
NG-32113	11.20-11.49	1100	6	Red	Green
NG-32116	11.50-11.79	1100	6	Red	Black
NG-32119	11.80-12.09	1100	6	Red	White
NG-32122	12.10-12.39	1100	7	Red	Blue
NG-32125	12.40-12.69	1100	7	Red	Red
NG-35128	12.70-12.99	1350	6	Red	Brown
NG-35131	13.00-13.39	1350	6	Red	Blue
NG-35135	13.30-13.69	1350	7	Red	Yellow
NG-35138	13.60-13.99	1350	7	Red	Green
NG-35141	13.90-14.29	1350	7	Red	Black

E6 预绞丝补修条
Preformed Armour Rods for Conductor Repair



型号 Catalog NO.	适用导线 Suitable Conductor	主要尺寸/Dimensions (mm)			每组根数 NO. of a group	重量 Weight(kg)
		D	d	L		
FYB-95/15	LGJ-95/15	3.6	11.4	420	13	0.2
FYB-95/20	LGJ-95/20	3.6	11.4	420	13	0.2
FYB-95/55	LGJ-95/55	3.6	13.3	420	16	0.2
FYB-120/7	LGJ-120/7	3.6	12.0	450	14	0.2
FYB-120/20	LGJ-120/20	3.6	12.5	450	14	0.2
FYB-120/25	LGJ-120/25	3.6	13.0	450	14	0.2
FYB-150/8	LGJ-150/8	3.6	13.3	480	16	0.2
FYB-150/20	LGJ-150/20	3.6	14.7	480	16	0.3
FYB-150/25	LGJ-150/25	3.6	14.2	480	16	0.3
FYB-150/35	LGJ-150/35	3.6	14.5	480	16	0.3
YJB-35	LGJ-35	3.6	7.1	270	9	0.1
YJB-50	LGJ-50	3.6	8.2	300	10	0.1
YJB-70	LGJ-70	3.6	9.7	340	11	0.2
YJB-95	LGJ-95	3.6	11.6	420	11	0.2
YJB-120	LGJ-120	3.6	12.9	450	12	0.2
YJB-150	LGJ-150	3.6	14.2	480	13	0.2
YJB-185	LGJ-185	4.6	16.2	580	14	0.4
YJB-240	LGJ-240	4.6	18.1	640	16	0.5
YJB-300	LGJ-300	6.3	21.4	700	13	0.8
YJB-400	LGJ-400	6.3	23.5	820	14	1.1
YJB-300Q	LGJQ-300	6.3	20.2	700	13	0.8
YJB-400Q	LGJQ-400	6.3	23.3	820	14	1.1
YJB-500Q	LGJQ-500	6.3	25.6	870	16	1.2
YJB-300J	LGJJ-300	6.3	21.8	700	13	0.8
YJB-400J	LGJJ-400	6.3	24.5	825	15	1.1



F1 0.6/1kV架空绝缘电缆
0.6/1kV Aerial Bundle Cable(ABC)



钢芯铝绞线导体 Conductor Steel Reinforced(ACSR)

代码名称 Code Name	规格 Size AWG or MCM	铝丝Aluminum Wires		钢丝Steel Wires		导体外径 Conductor Diameter mm	绝缘厚度 Insulation thickness mm	直径 Overall Diameter mm	额定强度 Rated Strength (LBS)	线质量 Mass of Wire(LBS/kft)		载流量 Ampacity (A) XLPE
		数量 Number	外径 Dimeter mm	数量 Number	外径 Dimeter mm					XLPE	Poly	
WALNUT	6	6	1.68	1	1.68	5.04	0.76	6.56	1131	49	47	105
Butternut	4	6	2.12	1	2.12	6.36	0.76	7.88	1760	71.8	70	135
Hickory	4	6	2.12	1	2.12	6.36	0.76	7.88	2240	81.6	79.8	135
Pignut	2	6	2.67	1	2.67	8.01	1.14	10.29	2710	118.1	114.8	180
Beech	2	6	2.67	1	2.67	8.01	1.14	10.29	3460	134.1	130.7	180
Chestnut	1	6	3.00	1	3.00	9.00	1.14	11.28	3370	145.5	141.8	210
Almond	1/0	6	3.37	1	3.37	10.11	1.52	13.15	4160	190.4	184.8	235
Pecan	2/0	6	3.78	1	3.78	11.34	1.52	14.38	5040	234.2	227.9	270
Filbert	3/0	6	4.25	1	4.25	12.75	1.52	15.79	6290	288.5	281.4	305
Buckeye	4/0	6	4.77	1	4.77	14.31	1.52	17.35	7930	365.5	348.5	345
Hackberry	266.8	18	3.09	1	3.09	15.45	1.52	18.49	6540	354.8	346.8	435

铝绞线导体-Aluminum All Standard Conductor(AAC)

代码名称 Code Name	规格 Size AWG or MCM	铝丝Aluminum Wires		导体外径 Conductor Diameter mm	绝缘厚度 Insulation thickness mm	直径 Overall Diameter mm	额定强度 Rated Strength (LBS)	线质量 Mass of Wire(LBS/kft)		载流量 Ampacity (A) XLPE
		数量 Number	外径 Dimeter mm					XLPE	Poly	
Apple	6	1	4.11	4.11	0.76	5.63	445	33	32	105
Pear	4	1	5.19	5.19	0.76	6.71	675	48.5	47.3	135
Apicot	4	7	1.96	5.88	0.76	7.40	790	51.5	50.8	140
Peach	2	7	2.47	7.41	1.14	9.69	1220	87.1	84	180
Quince	1/0	7	3.12	9.36	1.52	12.40	1790	140.7	135.6	240
Orange	2/0	7	3.50	10.5	1.52	13.54	2260	171.9	166.2	280
Fig	3/0	7	3.93	11.79	1.52	14.83	2740	210.5	204	320
Olive	4/0	7	4.42	13.26	1.52	16.30	3450	248.7	251.4	370
Pomegranate	4/0	19	2.68	13.40	1.52	16.44	3620	254.8	247.9	370
Molles	397.5	19	3.67	18.35	0.00	18.35	6400	469.2	457.4	545
Huckleberry	477	19	4.02	20.1	1.90	23.90	7820	550	537.5	610
Paw Paw	556.5	19	4.35	21.75	1.90	25.55	8950	633	619.4	670
Breadfruit	636	61	2.60	23.4	2.41	28.22	10510	742.6	724.7	720
Persimmon	795	61	2.90	26.1	2.41	30.92	12900	910	890	825
Grapefruit	1033.5	61	3.31	29.79	2.41	34.61	16500	1156.7	1133.8	970

6201铝合金导体-Aluminum Alloy Stranded Conductor(AAAC)

代码名称 Code Name	规格 Size AWG or MCM	铝丝Aluminum Wires		导体外径 Conductor Diameter mm	绝缘厚度 Insulation thickness mm	直径 Overall Diameter mm	额定强度 Rated Strength (LBS)	线质量 Mass of Wire(LBS/kft)		载流量 Ampacity (A) XLPE
		数量 Number	外径 Dimeter mm					XLPE	Poly	
Hombeam	4	7	1.96	5.88	0.76	7.40	1480	62.1	60.1	145
Linden	2	7	2.47	7.41	1.14	9.69	2520	96.1	93.3	190
Oilnut	1/0	7	3.12	9.36	1.52	12.40	4010	166.1	160	250
Waterash	2/0	7	3.50	10.5	1.52	13.54	4850	203.3	196.4	290
Shellbark	3/0	7	3.93	11.79	1.52	14.83	6110	249.4	241.4	335
Planetree	4/0	7	4.42	13.26	1.52	16.30	7700	307.3	298.1	385



两芯架空线系列 Duplex Service Drop Series

相线为铝导体和中性线为6201铝合金导体 Aluminum Conductor and with AAAC 6201 Alloy Neutral Messenger

代码名称 Code Name	相导体 Phase conductor					裸中性线 Bare Neutral Messenger			每1000英尺重量 Weight per 1000 ft		载流量 Ampacity	
	规格 Size	绞合 Stranding	导体外径 Conductor Diameter	绝缘厚度 Insulation thickness	直径 Overall Diameter	规格 Size	绞合 Stranding	额定强度 Breaking Strength	XLPE	Poly	XLPE	Poly
Chihuahua	6	1/4.11	4.11	1.14	6.39	6	7/1.68	1110	67.6	65.8	70	70
Vizsla	6	7/1.56	4.68	1.14	6.96	6	7/1.68	1110	70.9	67.2	70	70
Harrier	4	1/5.19	5.19	1.14	7.47	4	7/2.12	1760	102	99.9	90	90
Whippet	4	7/1.96	5.88	1.14	8.16	4	7/2.12	1760	107	101.9	90	90
Schnauzer	2	7/2.47	7.41	1.14	9.69	2	7/2.67	2800	163.3	156.2	120	120
Heeler	1/0	19/1.89	9.45	1.52	12.49	1/0	7/3.37	4460	259.2	250.8	160	160

相线和中性线均为铝导体 Aluminum Conductor and with AAC neutral

代码名称 Code Name	相导体 Phase conductor					裸中性线 Bare Neutral Messenger			每1000英尺重量 Weight per 1000 ft		载流量 Ampacity	
	规格 Size	绞合 Stranding	导体外径 Conductor Diameter	绝缘厚度 Insulation thickness	直径 Overall Diameter	规格 Size	绞合 Stranding	额定强度 Breaking Strength	XLPE	Poly	XLPE	Poly
Pekingese	6	1/4.11	4.11	1.14	6.39	6	7/1.56	563	63.5	61.7	70	70
Collie	6	7/1.56	4.68	1.14	6.96	6	7/1.56	563	66.8	63.1	70	70
Dachshund	4	1/5.19	5.19	1.14	7.47	4	7/1.96	881	95.5	93.4	90	90
Spaniel	4	7/1.96	5.88	1.14	8.16	4	7/1.96	881	100.5	95.4	90	90
Doberman	2	7/2.47	7.41	1.14	9.69	2	7/2.67	1350	152.7	145.7	120	120
Malemute	1/0	19/1.89	9.45	1.52	12.49	1/0	7/3.12	1990	242.6	234.2	160	160

相线为铝导体和中性线为钢芯铝绞线导体 Aluminum Conductor and with ACSR neutral

代码名称 Code Name	相导体 Phase conductor					裸中性线 Bare Neutral Messenger			每1000英尺重量 Weight per 1000 ft		载流量 Ampacity	
	规格 Size	绞合 Stranding	导体外径 Conductor Diameter	绝缘厚度 Insulation thickness	直径 Overall Diameter	规格 Size	绞合 Stranding	额定强度 Breaking Strength	XLPE	Poly	XLPE	Poly
Setter	6	1/4.11	4.11	1.14	6.39	6	1/1.68+6/1.68	1190	75	73.2	70	70
Shepherd	6	7/1.56	4.68	1.14	6.96	6	1/1.68+6/1.68	1190	78.3	74.6	70	70
Eskimo	4	1/5.19	5.19	1.14	7.47	4	1/2.12+6/2.12	1860	113.7	111.6	90	90
Terrier	4	7/1.96	5.88	1.14	8.16	4	1/2.12+6/2.12	1860	118.7	113.6	90	90
Chow	2	7/2.47	7.41	1.14	9.69	2	1/2.67+6/2.67	2850	181.7	174.7	120	120
Bull	1/0	19/1.89	9.45	1.52	12.49	1/0	1/3.37+6/3.37	4380	288.7	280.3	160	160



三芯架空线 Triplex Service Drop

相线和中性线均为铝导体 Aluminum Conductors and with AAC Neutral-Messenger

代码名称 Code Name	相导体 Phase conductor					裸中性线 Bare Neutral Messenger			每1000英尺重量 Weight per 1000 ft		载流量 Ampacity	
	规格 Size	绞合 Stranding	导体外径 Conductor Diameter	绝缘厚度 Insulation thickness	直径 Overall Diameter	规格 Size	绞合 Stranding	额定强度 Breaking Strength	XLPE	Poly	XLPE	Poly
	AWG	No./mm	mm	mm	mm	AWG	No./mm	Lbs	Lbs	Lbs	Amps	Amps
Haiotis	6	1/4.11	4.11	1.14	6.39	6	7/1.56	563	102.5	98.8	85	70
Patella	6	7/1.56	4.68	1.14	6.96	6	7/1.56	563	109.1	101.6	85	70
Fusus	4	1/5.19	5.19	1.14	7.47	4	7/1.96	881	151.9	147.6	115	90
Oyster	4	7/1.96	5.88	1.14	8.16	4	7/1.96	881	161.8	151.7	115	90
Clam	2	7/2.47	7.41	1.14	9.69	2	7/2.47	1350	243.2	229.2	150	120
Murex	1/0	7/3.12	9.36	1.52	12.4	1/0	7/3.12	1990	395.1	369.4	205	160
Purpura	1/0	19/1.89	9.45	1.52	12.49	1/0	7/3.12	1990	386.1	369.4	205	160
Nassa	2/0	7/3.50	10.5	1.52	13.54	2/0	7/3.50	2510	485.8	455.3	235	185
Melita	3/0	19/2.39	11.95	1.52	14.99	3/0	19/2.39	3310	585.2	562.9	275	215
Portunus	4/0	19/2.68	13.4	1.52	16.44	4/0	19/2.68	4020	723.9	697.3	315	245
Nannynose	336.4	19/3.38	16.9	2.03	20.96	336.4	19/3.38	6146	1160.4	1118	420	325

相线为铝导体和中性线为全规格钢芯铝绞线导体 Aluminum Conductors with Full size ACSR Messenger

代码名称 Code Name	相导体 Phase conductor					裸中性线 Bare Neutral Messenger			每1000英尺重量 Weight per 1000 ft		载流量 Ampacity	
	规格 Size	绞合 Stranding	导体外径 Conductor Diameter	绝缘厚度 Insulation thickness	直径 Overall Diameter	规格 Size	绞合 Stranding	额定强度 Breaking Strength	XLPE	Poly	XLPE	Poly
	AWG	No./mm	mm	mm	mm	AWG	No./mm	Lbs	Lbs	Lbs	Amps	Amps
Paludina	6	1/4.11	4.11	1.14	6.39	6	1/1.68+6/1.68	1190	114	113	85	70
Voluta	6	7/1.56	4.68	1.14	6.96	6	1/1.68+6/1.68	1190	120	113	85	70
Whelk	4	1/5.19	5.19	1.14	7.47	4	1/2.12+6/2.12	1860	169	165	115	90
Periwinkle	4	7/1.96	5.88	1.14	8.16	4	1/2.12+6/2.12	1860	176	172	115	90
Conch	2	7/2.47	7.41	1.14	9.69	2	1/2.67+6/2.67	2850	267	261	150	120
Neritina	1/0	7/3.12	9.36	1.52	12.4	1/0	1/3.37+6/3.37	4380	530	419	205	160
Cenia	1/0	19/1.89	9.45	1.52	12.49	1/0	1/3.37+6/3.34	4380	426	416	205	160
Runcina	2/0	7/3.50	10.5	1.52	13.54	2/0	1/3.78+6/3.78	5310	530	519	235	185
Triton	2/0	19/2.13	10.65	1.52	13.69	2/0	1/3.78+6/3.78	5310	526	514	235	185
Cherrystone	3/0	7/3.93	11.79	1.52	14.83	3/0	1/4.25+6/4.25	6620	656	643	250	200
Mursia	3/0	19/2.39	11.95	1.52	14.99	3/0	1/4.25+6/4.25	6620	650	638	250	200
Razor	4/0	7/4.42	13.26	1.52	16.3	4/0	1/4.77+6/4.77	8350	814	799	315	245
Zuzara	4/0	19/2.68	13.4	1.52	16.44	4/0	1/4.77+6/4.77	8350	805	792	315	245
Limpet	336.4	19/3.38	16.9	2.03	20.96	336.4	1/3.47+18/3.47	8680	1209	1167	420	325

相线为铝导体和中性线为小规格的钢芯铝绞线导体 Aluminum Conductors With ACSR Reduced Size Messenger

代码名称 Code Name	相导体 Phase conductor					裸中性线 Bare Neutral Messenger			每1000英尺重量 Weight per 1000 ft		载流量 Ampacity	
	规格 Size	绞合 Stranding	导体外径 Conductor Diameter	绝缘厚度 Insulation thickness	直径 Overall Diameter	规格 Size	绞合 Stranding	额定强度 Breaking Strength	XLPE	Poly	XLPE	Poly
	AWG	No./mm	mm	mm	mm	AWG	No./mm	Lbs	Lbs	Lbs	Amps	Amps
Scallop	4	1/5.19	5.19	1.14	7.47	6	1/1.68+6/1.68	1190	148	144	115	90
Strombus	4	7/1.96	5.88	1.14	8.16	6	1/1.68+6/1.68	1190	158	148	115	90
Cockle	2	7/2.47	7.41	1.14	9.69	4	1/2.12+6/2.12	1860	233	227	150	120
Janthina	1/0	7/3.12	9.36	1.52	12.4	2	1/2.67+6/2.67	1860	376	365	205	160
Ranella	1/0	19/1.89	9.45	1.52	12.49	1	1/2.67+6/2.67	2850	372	362	205	160
Cavolinia	2/0	7/3.50	10.5	1.52	13.54	1	1/3.00+6/3.00	2850	462	451	235	185
Clio	2/0	19/2.13	10.65	1.52	13.69	1	1/3.00+6/3.00	3550	458	446	235	185
Sanddollar	3/0	7/3.93	11.79	1.52	14.83	1/0	1/3.37+6/3.37	4380	570	557	275	215
Aega	3/0	19/2.39	11.95	1.52	14.99	1/0	1/3.37+6/3.37	4380	565	552	275	215
Cuttlefish	4/0	7/4.42	13.26	1.52	16.3	2/0	1/3.78+6/3.78	5310	706	691	315	245
Cerapus	4/0	19/2.68	13.4	1.52	16.44	2/0	1/3.78+6/3.78	5310	699	684	315	245
Cowry	336.4	19/3.38	16.9	2.03	20.96	4/0	1/4.77+6/4.77	8350	1135	1093	420	325



三芯架空线系列 Triplex Service Drop Series

相线为铝导体和中性线为6201铝合金导体 Aluminum Conductors AAAC 6201 Alloy Neutral-Messenger

代码名称 Code Name	相导体 Phase conductor					裸中性线 Bare Neutral Messenger			每1000英尺重量 Weight per 1000 ft		载流量 Ampacity	
	规格 Size	绞合 Stranding	导体外径 Conductor Diameter	绝缘厚度 Insulation thickness	直径 Overall Diameter	规格 Size	绞合 Stranding	额定强度 Breaking Strength	XLPE	Poly	XLPE	Poly
	AWG	No./mm	mm	mm	mm	AWG	No./mm	Lbs	Lbs	Lbs	Amps	Amps
Minex	6	1/4.11	4.11	1.14	6.39	6	7/1.68	1110	106.6	102.9	85	70
Hippa	6	7/1.56	4.68	1.14	6.96	6	7/1.68	1110	113.2	105.7	85	70
Prawn	4	1/5.19	5.19	1.14	7.47	4	7/2.12	1760	158.4	154.1	115	90
Bamacles	4	7/1.96	5.88	1.14	8.16	4	7/2.12	1760	168.3	158.2	115	90
Shrimp	2	7/2.47	7.41	1.14	9.69	2	7/2.67	2800	253.7	239.7	150	120
Gammarus	1/0	7/3.12	9.36	1.52	12.4	1/0	7/3.37	4460	411.7	386	205	160
Leda	1/0	19/1.89	9.45	1.52	12.49	1/0	7/3.37	4460	402.7	386	205	160
Dungenese	2/0	7/3.50	10.5	1.52	13.54	2/0	7/3.78	5390	506.8	476.3	235	185
Cyclops	2/0	19/2.13	10.65	1.52	13.69	2/0	7/3.78	5390	495.3	476.3	235	185
Flustra	3/0	19/2.39	11.95	1.52	14.99	3/0	7/4.25	6790	611.4	589.1	275	215
Lepas	4/0	19/2.68	13.4	1.52	16.44	4/0	7/4.77	8560	757.1	730.5	315	245

相线为铝导体和中性线为小规格的6201铝合金导体 Aluminum Conductors AAAC 6201 Alloy Reduced Neutral-Messenger

代码名称 Code Name	相导体 Phase conductor					裸中性线 Bare Neutral Messenger			每1000英尺重量 Weight per 1000 ft		载流量 Ampacity	
	规格 Size	绞合 Stranding	导体外径 Conductor Diameter	绝缘厚度 Insulation thickness	直径 Overall Diameter	规格 Size	绞合 Stranding	额定强度 Breaking Strength	XLPE	Poly	XLPE	Poly
	AWG	No./mm	mm	mm	mm	AWG	No./mm	Lbs	Lbs	Lbs	Amps	Amps
Artemia	4	1/5.19	5.19	Solid	45	6	7/1.68	1110	141.4	137.1	115	90
Crab	4	7/1.96	5.88	7	45	6	7/1.68	1110	151.3	141.2	115	90
Solaster	2	7/2.47	7.41	7	45	4	7/2.12	1760	226.6	212.6	150	120
Sandcrab	1/0	7/3.12	9.36	7	60	4	7/2.67	2800	368.8	343.1	205	160
Echinus	1/0	19/1.89	9.45	19	60	2	7/2.67	2800	358.8	343.1	205	160
Crayfish	2/0	7/3.50	10.5	7	60	1	7/3.00	3530	452.6	422.5	235	185
Sipho	2/0	19/2.13	10.65	19	60	1	7/3.00	3530	441	422.5	235	185
Fulgar	3/0	19/2.39	11.95	19	60	1/0	7/3.37	4460	543.4	521.1	275	215
Arca	4/0	19/2.68	13.4	19	60	2/0	7/3.78	5390	671.2	644.6	315	245



四芯架空线系列 Quadruplex Service Drop Series

相线和中性线均为铝导体 Aluminum Conductors AAC Neutral-Messenger

代码名称 Code Name	相导体 Phase conductor					裸中性线 Bare Neutral Messenger			每1000英尺重量 Weight per 1000 ft		载流量 Ampacity	
	规格 Size	绞合 Stranding	导体外径 Conductor Diameter	绝缘厚度 Insulation thickness	直径 Overall Diameter	规格 Size	绞合 Stranding	额定强度 Breaking Strength	XLPE	Poly	XLPE	Poly
	AWG	No./mm	mm	mm	mm	AWG	No./mm	Lbs	Lbs	Lbs	Amps	Amps
Clydesdale	4	1/5.19	5.19	1.14	45	4	7/1.96	881	208	201.8	100	80
Pinto	4	7/1.96	5.88	1.14	45	4	7/1.96	881	223	207.9	100	80
Mustang	2	7/2.47	7.41	1.14	45	2	7/2.47	1350	333	312.6	135	105
Criollo	1/0	19/1.89	9.45	1.52	60	1/0	7/3.12	1990	529	504.5	180	140
Percheron	2/0	19/2.13	10.65	1.52	60	2/0	7/3.50	2510	649	620.5	205	160
Hanoverian	3/0	19/2.39	11.95	1.52	60	3/0	19/2.39	3310	799	765.6	235	185
Oldenburg	4/0	19/2.68	13.4	1.52	60	4/0	19/2.68	4020	986	946.7	275	210
Lippizaner	336.4	19/3.38	16.9	2.03	80	336.4	19/3.38	6146	1546	1519.2	370	280

相线为铝导体和中性线为钢芯铝线导体 Aluminum Conductors ACSR Neutral-Messenger

代码名称 Code Name	相导体 Phase conductor					裸中性线 Bare Neutral Messenger			每1000英尺重量 Weight per 1000 ft		载流量 Ampacity	
	规格 Size	绞合 Stranding	导体外径 Conductor Diameter	绝缘厚度 Insulation thickness	直径 Overall Diameter	规格 Size	绞合 Stranding	额定强度 Breaking Strength	XLPE	Poly	XLPE	Poly
	AWG	No./mm	mm	mm	mm	AWG	No./mm	Lbs	Lbs	Lbs	Amps	Amps
Morochuca	6	1/4.11	4.11	Solid	45	6	1/1.68+6/1.68	1190	152	147.4	75	60
Chola	6	7/1.56	1.56	7/w	45	6	1/1.68+6/1.68	1190	162	151.7	75	60
Morgan	4	1/5.19	5.19	Solid	45	4	1/2.12+6/2.12	1860	226	220	100	80
Hackney	4	7/1.96	1.96	7/w	45	4	1/2.12+6/2.12	1860	241	226.1	100	80
Palomino	2	7/2.47	2.47	7/w	45	2	1/2.67+6/2.67	2850	362	342.6	135	105
Costena	1/0	19/1.89	1.89	19/w	60	1/0	1/3.37+6/3.37	4380	575	550.6	180	140
Gurullo	2/0	19/2.13	2.13	19/w	60	2/0	1/3.78+6/3.78	5310	707	678.7	205	160
Suffolk	3/0	19/2.39	2.39	19/w	60	3/0	1/4.25+6/4.25	6620	872	838.9	235	185
Appaloosa	4/0	19/2.68	2.68	19/w	60	4/0	1/4.77+6/4.77	8350	1079	1039.2	275	210
Bronco	336.4	19/3.38	3.38	19/w	60	336.4	1/3.47+18/3.47	8580	1613	1568.2	370	280
Gelding	336.4	19/3.38	3.38	19/w	60	4/0	1/6.01+6/6.01	8350	1548	1494.3	370	280

相线为铝导体和中性线为6201铝合金导体 Aluminum Conductors AAAC 6201 Alloy Neutral-Messenger

代码名称 Code Name	相导体 Phase conductor					裸中性线 Bare Neutral Messenger			每1000英尺重量 Weight per 1000 ft		载流量 Ampacity	
	规格 Size	绞合 Stranding	导体外径 Conductor Diameter	绝缘厚度 Insulation thickness	直径 Overall Diameter	规格 Size	绞合 Stranding	额定强度 Breaking Strength	XLPE	Poly	XLPE	Poly
	AWG	No./mm	mm	mm	mm	AWG	No./mm	Lbs	Lbs	Lbs	Amps	Amps
Bay	6	1/4.11	4.11	1.14	45	6	7/1.68	1110	145	140	75	60
French Coach	6	7/1.56	1.56	1.14	45	6	7/1.68	1110	155	144.3	75	60
German Coach	4	1/5.19	5.19	1.14	45	4	7/2.12	1760	214	208.3	100	80
Arabian	4	7/1.96	5.88	1.14	45	4	7/2.12	1760	229	214.4	100	80
Belgian	2	7/2.47	7.41	1.14	45	2	7/2.67	2800	344	323.1	135	105
Shetland	1/0	19/1.89	9.45	1.52	60	1/0	7/3.37	4460	546	521.1	180	140
Thoroughbred	2/0	19/2.13	10.65	1.52	60	2/0	7/3.78	5390	670	641.5	205	160
Trotter	3/0	19/2.39	11.95	1.52	60	3/0	7/4.25	6790	825	791.8	235	185
Walking	4/0	19/2.68	13.4	1.52	60	4/0	7/4.77	8560	1019	979.7	275	210



F2 铝绞线 All Aluminium conductor (AAC)

英国标准尺寸 British standard Sizes

BS 215 Part1

代码名称 Code Name	结构 No. and diameter of wires	标称截面 Nominal area	计算截面 Calculated areas	导体直径 Overall diameter	每公里重量 Approximate mass per km	直流电阻 Calculated d.c resistance at 20°C	计算破坏载荷 Calculated breaking load
	mm	mm ²	mm ²	mm	kg	Ω/km	kN
MIDGE	7/2.06	22	23.3	6.18	64	1.227	3.99
ANT	7/3.10	50	52.8	9.30	145	0.5419	8.28
FLY	7/3.40	60	63.4	10.20	174	0.4505	9.90
WASP	7/4.39	100	106.0	13.17	290	0.2702	16.00
HORNET	19/3.25	150	157.6	16.25	434	0.1825	25.70
CHAFER	19/3.78	200	213.2	18.90	587	0.1349	32.40
COCKROACH	19/4.22	250	265.7	21.10	731	0.1083	40.40
BUTTERFLY	19/4.65	300	322.7	23.25	888	0.08916	48.75
CENTIPEDE	37/3.78	400	415.2	26.46	1145	0.06944	63.10

澳大利亚标准尺寸 Australian standard Size

AS/NZS 1531

代码名称 Code Name	结构 No. and diameter of wires	截面积 Sectional Area	绞合方向 Direction of lay	断裂载荷 Calculated breaking load	直流电阻 Calculated d.c resistance at 20°C
	No./mm	mm ²	mm	kN	Ω/km
Leo	7/2.50	34.36	右向 right-handed	8.18	0.864
Leonids	7/2.75	41.58		9.91	0.713
Libra	7/3.00	49.48		11.8	0.599
Mars	7/3.75	77.28		17.6	0.383
Mercury	7/4.50	111.30		24.3	0.266
Moon	7/4.75	124.00		27.1	0.239
Neptune	19/3.35	157.60		37.4	0.189
Orion	19/3.50	182.80		41.7	0.163
Pluto	19/3.75	209.80		47.8	0.142
Saturn	37/3.00	261.60		62.2	0.114
Sirius	37/3.25	307.00		72.8	0.0973
Taurus	19/4.75	336.70		73.6	0.0884
Triton	37/3.75	408.50		93.1	0.0731
Uranus	61/3.25	506.10		114	0.0592
Ursula	61/3.50	586.90	127	0.0511	
Venus	61/3.75	673.40	145	0.0444	

F3 铝合金绞线
Aluminium alloy conductor(AAAC)



英国标准尺寸 British standard Sizes

BS 3242

代码名称 Code Name	结构 No. and diameter of wires	标称截面 Nominal area	计算截面 Calculated areas	导体直径 Overall diameter	每公里重量 Approximate mass per km	直流电阻 Calculated d.c resistance at 20°C	计算破坏载荷 Calculated breaking load
	mm	mm ²	mm ²	mm	kg	Ω/km	kN
Box	7/1.85	15	18.82	5.55	51	1.7495	5.26
Acacia	7/2.08	20	23.79	6.24	65	1.384	6.66
ALMOND	7/2.34	25	30.10	7.02	82	1.0940	8.44
CEDAR	7/2.54	30	35.47	7.62	97	0.9281	9.94
FIR	7/2.95	40	47.84	8.85	131	0.6880	13.40
HAZEL	7/3.3	50	59.87	9.90	164	0.5498	16.80
Pine	7/3.61	60	71.65	10.83	196	0.4594	20.07
Willow	7/4.04	75	89.73	12.12	245	0.3669	25.14
OAK	7/4.65	100	118.90	13.95	325	0.2769	33.30
Mulberry	19/3.18	125	150.9	15.9	415	0.2192	42.26
ASH	19/3.48	150	180.70	17.40	497	0.1830	50.65
ELM	19/3.76	175	211.00	18.80	580	0.1568	59.10
Polpar	37/2.87	200	239.4	20.09	659	0.1385	86.64
Sycamore	37/3.22	250	303.2	22.54	835	0.1093	86.87
UPAS	37/3.53	300	362.10	24.71	997	0.0916	101.50
Walnut	37/3.81	350	421.8	26.67	1162	0.0786	118.12
Yew	37/4.06	400	479	28.42	1319	0.06921	134.11
Totara	37/4.14	425	498.1	28.98	1372	0.06656	139.48
Rubus	61/3.50	500	586.9	31.5	1620	0.05662	164.36
Araucaria	61/4.14	700	821.1	37.26	2266	0.04047	229.81

澳大利亚标准尺寸 Australian standard Size

AS/NZS 1531

代码名称 Code Name	结构 No. and diameter of wires	截面积 Sectional area	断裂载荷 Calculated breaking load	直流电阻 Calculated d.c resistance at 20°C
	No./mm	mm ²	kN	Ω/km
Diamond	7/2.50	34.36	9.64	0.967
Dolomite	7/2.75	41.58	11.60	0.799
Emerald	7/3.00	49.48	13.90	0.671
Garnet	7/3.75	77.28	21.70	0.430
Jade	7/4.50	111.30	31.20	0.298
Jasper	7/4.75	124.00	34.80	0.268
Opal	19/3.25	157.60	44.20	0.212
Patronite	19/3.50	182.80	51.30	0.183
Pearl	19/3.75	209.80	58.80	0.159
Ruby	37/3.00	261.60	73.50	0.128
Ruthenium	37/3.25	307.00	86.10	0.109
Rutile	19/4.75	336.70	94.40	0.0991
Sapphire	37/3.75	408.50	115.00	0.0819
Spinel	61/3.25	506.10	135.00	0.0662
Tantalum	61/3.50	586.90	156.00	0.0572
Topaz	61/3.75	673.40	179.00	0.0498

F4 钢芯铝绞线
Aluminum Conductor Steel Reinforced(ACSR)

英国标准尺寸 British Standard Sizes

BS 215 Part2

代码名称 Code Name	标称截 Nominal Aluminum Area	导体结构 No. and diameter of wires		截面Cross Sectional Area			导体外径 Overall dia meterl	每千米质量 Mass per km	拉断力 Rated Strength	直流电阻 Calculated d.c resistance at 20°C
		铝 Aluminum	钢 Steel	铝 Aluminum	钢 Steel	合计 Total				
	mm ²	mm	mm	mm ²	mm ²	mm ²	mm	kg/km	kN	Ω/km
SQUIRREL	20	6/2.11	1/2.11	21.0	3.5	24.5	6.33	84.85	7.90	1.368
GOPHER	25	6/2.36	1/2.36	26.2	4.4	30.6	7.08	106.10	9.61	1.093
WEASEL	30	6/2.59	1/2.59	31.6	5.3	36.9	7.77	127.80	11.45	0.9076
FERRET	40	6/3.00	1/3.00	42.4	7.1	49.9	9.00	171.50	15.20	0.6776
RABBIT	50	6/3.35	1/3.35	52.9	8.8	61.7	10.05	213.90	18.40	0.5426
MINK	60	6/3.66	1/3.66	63.1	10.5	73.6	10.98	255.30	21.77	0.4546
SKUNK	60	12/2.59	7/2.59	63.2	36.9	100.1	12.95	463.60	52.94	0.4566
BEAVER	70	6/3.98	1/3.98	75.0	12.5	87.5	11.96	303.00	25.61	0.3818
HORSE	70	12/2.79	7/2.79	73.4	42.8	116.2	13.95	538.10	61.15	0.3936
RACCOON	70	6/4.09	1/4.09	78.8	13.1	92.0	12.27	318.90	27.05	0.3639
OTTER	80	6/4.21	1/4.21	83.8	14.0	98.0	12.64	339.00	28.64	0.3416
CAT	90	6/4.49	1/4.49	95.2	15.9	111.1	13.48	385.00	32.55	0.3006
DOG	100	6/4.72	7/1.57	105.0	13.6	118.6	14.15	394.30	32.64	0.2733
WOLF	150	30/2.59	7/2.59	158.1	36.9	195.0	18.13	725.70	69.25	0.1828
DINGO	150	18/3.35	1/3.35	158.7	8.8	167.5	16.75	505.70	35.80	0.1815
LYNX	175	30/2.79	7/2.79	183.4	42.8	226.2	19.53	842.40	79.69	0.1576
CARACAL	175	18/3.61	1/3.61	184.3	10.2	194.5	18.05	587.60	41.14	0.1562
PANTHER	200	30/3.00	7/3.00	212.1	49.5	261.6	21.00	973.80	92.12	0.1363
LION	200	30/3.17	7/3.17	237.5	55.4	292.9	22.22	1093.00	99.80	0.1219
JAGUAR	200	18/3.86	1/3.86	210.6	11.7	223.3	19.30	6714.00	46.53	0.1367
ZEBEAR	250	30/3.35	7/3.35	264.4	61.7	326.1	23.45	1214.00	111.40	0.1093
GOAT	300	30/3.71	7/3.71	324.3	75.7	400.0	25.97	1489.00	135.70	0.08912
BATANG	300	18/4.78	7/1.68	323.1	15.5	338.6	24.16	1102.00	69.64	0.08912
BISON	350	54/3.00	7/3.00	381.7	49.5	431.2	27.00	1443.00	120.70	0.07575
SHEEP	350	30/3.98	7/3.98	374.7	87.4	462.1	27.68	1274.00	155.96	0.06774
ZEBRA	400	54/3.18	7/3.18	428.9	55.7	484.6	28.62	1622.00	131.90	0.06741
DEER	400	30/4.26	7/4.26	429.0	100.1	429.0	29.87	1975.00	178.60	0.06749
ELK	450	30/4.50	7/4.50	447.0	111.3	447.0	31.51	2190.00	198.30	0.06059
CAMEL	450	54/3.35	7/3.35	476.0	61.7	476.0	30.15	1800.00	146.20	0.06074
MOOSE	500	54/3.53	7/3.53	588.6	68.5	588.6	31.77	2003.00	159.85	0.05477



美国标准尺寸 American Standard Sizes

ASTM B232

代码名称 Code Name	导体结构 No. and diameter of wires				类型 Class	导体结构 No. and diameter of wires		导体外径 Overalldia meterl	每千米质量 Mass per km	拉断力 Rated Strength	直流电阻 Calculated d.c resistance at 20°C
	cmil	AWG	铝 Aluminum	钢 Steel		铝 Aluminum	钢 Steel				
			mm ²	mm ²							
Turkey	26 240	6	13.30	2.19	AA A	6/1.68	1/1.68	5.04	53.59	5.24	2.1586
Swan	41 740	4	21.16	3.55	AA A	6/2.12	1/2.12	6.36	85.32	8.32	1.3357
Swanate	41 740	4	21.16	5.35	AA A	7/1.96	1/2.61	6.53	99.61	10.53	1.3357
Sparrow	66 360	2	33.61	5.61	AA A	6/2.67	1/2.67	8.01	135.69	12.70	0.8535
Sparate	66 360	2	33.61	8.52	AA A	7/2.47	1/3.30	8.24	158.64	16.11	0.8535
Grouse	80 000	...	40.52	14.13	AA(HSI)	8/2.54	1/4.24	9.32	221.38	23.60	0.7115
Robin	83 690	1	42.39	7.10	AA A	6/3.00	1/3.00	9.00	171.10	15.85	0.6767
Petrel	101 800	...	51.61	30.06	AA(HSI)	12/2.34	7/2.34	11.70	377.60	47.15	0.5613
Raven	105 600	0	53.48	8.90	AA A	6/3.37	1/3.37	10.11	216.03	19.32	0.5364
Minorca	110 800	...	56.13	32.77	AA(HSI)	12/2.44	7/2.44	12.20	411.07	51.25	0.5161
Quail	133 100	00	67.42	11.23	AA A	6/3.78	1/3.78	11.34	271.97	23.62	0.4255
Leghorn	134 600	...	68.19	39.81	AA(HSI)	12/2.69	7/2.69	13.45	499.15	61.70	0.4248
Guinea	159 000	...	80.58	46.97	AA(HSI)	12/2.92	7/2.92	14.60	589.61	72.55	0.3595
Pigeon	167 800	000	85.03	14.19	AA A	6/4.25	1/4.25	12.75	342.93	29.41	0.3373
Dotterel	176 900	...	89.48	52.19	AA(HSI)	12/3.08	7/3.08	15.40	655.96	78.50	0.3237
Dorking	190 800	...	96.71	56.39	AA(HSI)	12/3.20	7/3.20	16.00	707.74	84.80	0.2995
Brahma	203 200	...	102.97	91.87	AA(HSI)	16/2.86	19/2.48	18.12	1003.66	128.80	0.2813
Cochin	211 300	...	107.10	62.45	AA(HSI)	12/3.37	7/3.37	16.85	783.76	93.90	0.2705
Penguin	211 600	0000	107.23	17.87	AA A	6/4.77	1/4.77	14.31	432.65	37.06	0.2675
Waxwing	266 800	...	135.16	7.48	AA	18/3.09	1/3.09	15.45	430.12	30.27	0.2133
Partridge	266 800	...	135.16	22.00	AA	26/2.57	7/2.00	16.28	545.87	50.29	0.2143
Ostrich	300 000	...	152.00	24.71	AA	26/2.73	7/2.12	17.28	613.26	56.52	0.1906
Merlin	336 400	...	170.45	9.48	AA	18/3.47	1/3.47	17.35	544.00	38.23	0.1691
Linnet	336 400	...	170.45	27.81	AA	26/2.89	7/2.25	18.31	687.36	62.71	0.1699
Oriole	336 400	...	170.45	39.81	AA	30/2.69	7/2.69	18.83	783.17	77.45	0.1704
Chickadee	397 500	...	201.42	11.16	AA	18/3.77	1/3.77	18.85	641.23	43.99	0.1431
Brant	397 500	...	201.42	26.13	AA	24/3.27	7/2.18	19.62	760.85	64.69	0.1438
Ibis	397 500	...	201.42	32.77	AA	26/3.14	7/2.44	19.88	812.33	72.11	0.1438
Lark	397 500	...	204.42	46.97	AA	30/2.92	7/2.92	20.44	925.10	88.69	0.1442
Pelican	477 000	...	241.68	13.42	AA	18/4.14	1/4.14	20.70	769.63	52.16	0.1193
Flicker	477 000	...	241.68	31.29	AA	24/3.58	7/2.39	21.49	913.35	76.66	0.1199
Hawk	477 000	...	241.68	39.42	AA	26/3.44	7/2.67	21.77	974.94	86.65	0.1199
Hen	477 000	...	241.68	56.39	AA	30/3.20	7/3.20	22.40	1110.48	105.34	0.1201
Osprey	556 500	...	282.00	15.68	AA	18/4.47	1/4.47	22.35	897.58	60.88	0.0122
Parakeet	556 500	...	282.00	36.58	AA	24/3.87	7/2.58	23.22	1065.40	88.22	0.1027
Dove	556 500	...	282.00	45.94	AA	26/3.72	7/2.89	23.55	1138.45	101.03	0.1027
Eagle	556 500	...	282.00	65.81	AA	30/3.46	7/3.46	24.22	1295.41	122.92	0.1030
Peacock	605 000	...	306.58	39.74	AA	24/4.03	7/2.69	24.19	1158.69	95.88	0.0945
Squab	605 000	...	306.58	49.94	AA	26/3.87	7/3.01	24.51	1236.79	108.41	0.0945
Wood Duck	605 000	...	306.58	71.55	AA	30/3.60	7/3.60	25.20	1408.19	128.84	0.0947
Teal	605 000	...	306.58	69.87	AA	30/3.60	19/2.16	25.20	1396.43	133.59	0.0947
Kingbird	636 000	...	322.26	17.90	AA	18/4.78	1/4.78	23.90	1026.42	69.56	0.08945



接上表/Pick up the table

代码名称 Code Name	导体结构 No. and diameter of wires				类型 Class	导体结构 No. and diameter of wires		导体外径 Overalldia meterl	每千米质量 Mass per km	拉断力 Rated Strength	直流电阻 Calculated d.c resistance at 20°C
	cmil	AWG	铝 Aluminum	钢 Steel		铝 Aluminum	钢 Steel				
			mm ²	mm ²							
Swift	636 000	...	322.26	8.96	AA	36/3.38	1/3.38	23.66	956.35	60.52	0.08945
Rook	636 000	...	322.26	41.81	AA	24/4.14	7/2.76	24.84	1217.30	100.83	0.08989
Grosbeak	636 000	...	322.26	52.45	AA	26/3.97	7/3.09	25.15	1300.62	111.80	0.08989
Scoter	636 000	...	322.26	75.22	AA	30/3.70	7/3.70	25.90	1480.49	135.44	0.09011
Egret	636 000	...	322.26	73.55	AA	30/3.70	19/2.22	25.90	1468.74	140.55	0.09011
Flamingo	666 600	...	337.74	43.81	AA	24/4.23	7/2.82	25.38	1276.37	105.66	0.08577
Gannet	666 600	...	377.74	55.03	AA	26/4.07	7/3.16	25.76	1363.11	117.33	0.08577
Stilt	715 500	...	362.58	46.97	AA	24/4.39	7/2.92	26.32	1370.25	113.35	0.07989
Starling	715 500	...	362.58	59.03	AA	26/4.21	7/3.28	26.68	1463.53	125.91	0.07989
Redwing	715 500	...	362.58	82.58	AA	30/3.92	19/2.35	27.43	1650.40	153.94	0.08009
Coot	795 000	...	402.84	11.16	AA	36/3.77	1/3.77	26.39	1195.58	74.85	0.07156
Cuckoo	795 000	...	402.84	52.19	AA	24/4.62	7/3.08	27.72	1522.00	123.94	0.07191
Drake	795 000	...	402.84	65.51	AA	26/4.44	7/3.45	28.11	1626.15	139.92	0.07191
Tern	795 000	...	402.84	27.87	AA	45/3.38	7/2.25	27.03	1311.57	97.37	0.07191
Condor	795 000	...	402.84	52.19	AA	54/3.08	7/3.08	27.72	1520.51	124.45	0.07911
Mallard	795 000	...	402.84	91.87	AA	30/4.13	19/2.48	28.92	1835.78	171.18	0.07208
Ruddy	900 000	...	456.06	31.54	AA	45/3.59	7/2.40	28.74	1507.12	109.31	0.06351
Canary	900 000	...	456.06	59.10	AA	54/3.28	7/3.28	29.52	1722.85	140.95	0.06351
Catbird	954 000	...	483.42	13.42	AA	36/4.14	1/4.14	28.98	1434.22	87.66	0.05962
Rail	954 000	...	483.42	33.42	AA	45/3.70	7/2.47	29.61	1597.88	115.85	0.05992
Cardinal	954 000	...	483.42	62.65	AA	54/3.38	7/3.38	30.42	1825.66	149.36	0.05962
Tanager	1033 500	...	523.86	14.51	AA	36/4.30	1/4.30	30.10	1553.25	94.93	0.05504
Ortolan	1033 500	...	523.86	36.19	AA	45/3.85	7/2.57	30.81	1730.29	123.10	0.05331
Curlew	1033 500	...	523.86	67.87	AA	54/3.51	7/3.51	31.59	1977.26	161.80	0.05531
Bluejay	1133 000	...	563.93	39.03	AA	45/4.00	7/2.66	31.98	1865.68	132.63	0.05136
Finch	1133 000	...	563.93	71.55	AA	54/3.65	19/2.19	32.85	2127.53	174.41	0.05161
Bunting	1192 500	...	604.26	41.55	AA	45/4.14	7/2.76	33.12	1996.60	141.79	0.04793
Grackle	1192 500	...	604.26	76.58	AA	54/3.77	19/2.27	33.97	2277.80	186.78	0.04817
Skylark	1272 000	...	644.51	17.87	AA	36/4.78	1/4.78	33.46	1913.29	115.85	0.04472
Bittern	1272 000	...	644.51	44.52	AA	45/4.27	7/2.85	34.17	2130.51	151.48	0.04494
Pheasant	1272 000	...	644.51	81.63	AA	54/3.90	19/2.34	35.10	2431.04	194.00	0.04516
Dipper	1351 500	...	684.84	47.10	AA	45/4.40	7/2.93	35.43	2262.92	160.70	0.04230
Martin	1351 500	...	684.84	88.71	AA	54/4.02	19/2.41	36.17	2581.30	206.05	0.04250
Bobolink	1431 000	...	725.10	50.32	AA	45/4.53	7/3.02	36.24	2396.82	170.71	0.03994
Plover	1431 000	...	725.10	91.87	AA	54/4.14	19/2.48	37.24	2734.55	218.24	0.04013
Nuthatch	1510 500	...	765.35	52.90	AA	45/4.65	7/3.10	37.20	2529.23	177.89	0.03784
Parrot	1510 500	...	765.35	96.84	AA	54/4.25	19/2.55	38.25	2883.32	230.20	0.03802
Lapwing	1590 000	...	805.68	55.48	AA	45/4.78	7/3.18	38.22	2663.13	187.02	0.03595
Falcon	1590 000	...	805.68	102.13	AA	54/4.36	19/2.62	39.26	3038.05	242.55	0.03613
Chukar	1780 000	...	902.70	73.51	AA	84/3.70	19/2.22	40.70	3082.69	226.85	0.03245
Bluebird	2156 000	...	1092.00	88.80	AA	84/4.07	19/2.44	44.76	3731.36	268.30	0.02681
Kiwi	2167 000	...	1100.00	47.50	AA	72/4.41	7/2.94	44.10	3423.39	221.60	0.02684
Thrasher	2312 000	...	1170.80	65.15	AA	76/4.43	19/2.07	45.79	3753.68	253.00	0.02478



F5 钢芯铝合金绞线

Aluminum Alloy conductor Steel Reinforced(AACSR)

美国标准尺寸 American Standard Sizes

ASTM B711

总截面 Conductor Area	合金截面 Alloy Area	钢丝截面 Steel Area	合金根数 Number of Alloy Wire	合金丝直径 Diameter of Alloy Wire	钢丝根数 Number of Steel Wires	钢丝直径 Diameter of Steel Wires	导体直径 Diameter of Conductor	单位 长度质量 Linear Mass	额定拉断力 Rated Tensile Strength	最大直流电阻 Max.D.C Resistance at 20℃
mm ²	mm ²	mm ²		mm		mm	mm	kg/km	daN	Ω/km
163	140	23	26	2.62	7	2.04	16.6	560	7500	0.240
173	140	33	30	2.44	7	2.44	17.1	650	8740	0.240
186	160	26	26	2.80	7	2.18	17.7	645	8560	0.210
198	160	38	30	2.61	7	2.61	18.3	740	10600	0.210
209	180	29	26	2.97	7	2.31	18.8	725	9510	0.187
222	180	42	30	2.76	7	2.76	19.3	825	11200	0.187
232	200	32	26	3.13	7	2.43	19.8	800	10600	0.168
247	200	47	30	2.91	7	2.91	20.4	920	12400	0.168
260	224	36	26	3.31	7	2.57	21.0	900	11800	0.150
276	224	52	30	3.08	7	3.08	21.6	1025	13900	0.150
291	25	41	26	3.50	7	2.72	22.2	1010	12900	0.135
308	250	58	30	3.26	7	3.26	22.8	1145	15600	0.135
326	280	46	26	3.70	7	2.88	23.4	1140	14000	0.120
345	280	65	30	3.45	7	3.45	24.2	1280	17100	0.120
367	315	52	26	3.93	7	3.06	24.9	1276	16300	0.107
387	315	72	30	3.66	19	2.20	25.6	1433	19000	0.107
413	355	58	26	4.17	7	3.24	26.4	1433	18300	0.095
436	355	81	30	3.88	19	2.33	27.2	1614	21000	0.095
465	400	65	26	4.43	7	3.45	28.1	1612	20700	0.084
491	400	91	30	4.12	19	2.47	28.8	1813	23700	0.084
509	450	59	54	3.26	19	1.98	29.5	1703	21500	0.075
563	500	63	54	3.43	19	2.06	30.9	1873	22900	0.067
631	560	71	54	3.63	19	2.18	32.7	2101	25700	0.060
710	630	80	54	3.85	19	2.31	34.6	2365	28600	0.053
800	710	90	54	4.09	19	2.45	36.8	2665	32200	0.047
901	800	101	54	4.43	19	2.60	39.0	3000	36300	0.042
973	900	73	84	3.69	19	2.21	40.6	3062	35500	0.037
1081	1000	81	84	3.89	19	2.33	42.8	3395	39100	0.034
1211	1120	91	84	4.12	19	2.47	45.3	3803	43900	0.030
1352	1250	102	84	4.35	19	2.61	47.8	4250	49000	0.027



德国标准尺寸 Germany Standard Sizes

DIN 48206

标称截面 合金/钢 Nominal Area AL/ST	合金截面 Alloy Area	钢丝截面 Steel Area	合金根数 Number of Alloy Wire	合金丝直径 Diameter of Alloy Wire	钢丝根数 Number of Steel Wires	钢丝直径 Diameter of Steel Wires	导体直径 Diameter of Conductor	单位 长度质量 Linear Mass	额定拉断力 Rated Tensile Strength	最大直流电阻 Max.D.C Resistance at 20℃
mm ²	mm ²	mm ²		mm		mm	mm	kg/km	daN	Ω/km
16/2.5	15.27	2.54	6	1.80	1	1.80	5.4	62	748	2.1800
25/4	23.86	3.98	6	2.25	1	2.25	6.8	97	1171	1.3952
35/6	34.35	5.73	6	2.70	1	2.70	8.1	140	1685	0.9689
44/32	43.98	31.67	14	2.00	7	2.40	11.2	373	5027	0.7625
50/8	48.25	8.04	6	3.20	1	3.20	9.6	196	2366	0.6898
50/30	51.17	29.85	12	2.33	7	2.33	11.7	378	5024	0.6547
70/12	69.89	11.40	26	1.85	7	1.44	11.7	284	3399	0.4791
95/15	94.39	15.33	26	2.15	7	1.67	13.6	383	4582	0.3547
95/55	96.51	56.33	12	3.20	7	3.20	16.0	714	9475	0.3471
105/75	105.67	75.55	14	3.10	19	2.25	17.5	899	12014	0.3174
120/20	121.57	19.85	26	2.44	7	1.90	15.5	494	5914	0.2754
120/70	122.15	71.25	12	3.60	7	3.60	18.0	904	11912	0.2742
125/30	127.92	29.85	30	2.33	7	2.33	16.3	590	7280	0.2621
150/25	148.86	24.25	26	2.70	7	2.10	17.1	604	7236	0.2249
170/40	171.77	40.80	30	2.70	7	2.70	18.9	794	9775	0.1952
185/30	183.78	29.85	26	3.00	7	2.33	19.0	744	8922	0.1822
210/35	209.10	34.09	26	3.20	7	2.49	20.3	848	10167	0.1601
210/50	212.06	49.48	30	3.00	7	3.00	21.0	979	12068	0.1581
230/30	230.91	29.85	24	3.50	7	2.33	21.0	874	10308	0.1449
240/40	243.05	39.49	26	3.45	7	2.68	21.8	985	11802	0.1378
265/35	263.66	34.09	24	3.74	7	2.49	22.4	998	11771	0.1269
300/50	304.26	49.48	26	3.86	7	3.00	24.5	1233	14779	0.1101
305/40	304.62	39.49	54	2.68	7	2.68	24.1	1155	13612	0.1101
340/30	339.29	29.85	48	3.00	7	2.33	25.0	1174	13494	0.0988
380/50	381.70	49.48	54	3.00	7	3.00	27.0	1448	17056	0.0879
385/35	386.04	34.09	48	3.20	7	2.49	26.7	1336	15369	0.0868
435/55	434.29	56.30	54	3.20	7	3.20	28.8	1647	19406	0.0772
450/40	448.71	39.49	48	3.45	7	2.68	28.7	1553	17848	0.0747
490/65	490.28	63.55	54	3.40	7	3.40	30.6	1860	21907	0.0684
550/70	594.65	71.25	54	3.60	7	3.60	32.4	2085	24560	0.0610
560/50	561.70	49.48	48	3.86	7	3.00	32.2	1943	22348	0.0597
680/85	678.58	85.95	54	4.00	19	2.40	36.0	2564	30084	0.0494