

LOW VOLTAGE ABC ACCESSORIES

COMPANY PROFILE

YUYAO JERA LINE FITTING CO., LTD is a foreign investment, leading manufactory of electrical cable distribution accessories and fiber optic components.

Our mission is to improve of living conditions of generations, through the development of technology in operation business sectors to the highest level by using innovations and know how.

Our vision is to achieve the possibility of production and supplying a comprehensive, complete and reliable complex of products for construction of telecommunication networks and electricity distribution systems.

In electrical cable distribution accessories application, we produce overhead, underground cable fittings for low, middle, and high voltage ABC fittings and connectors, which are used in electrical distribution systems, street lightning, buildings, transportation, and substations with voltage from 0.4 KV to 35 KV.

In fiber optic component, telecommunication application, we produce fiber optic cable, and related to passive optical network distribution fiber optic cable accessories, used in FTTH and FTTX network constructions.

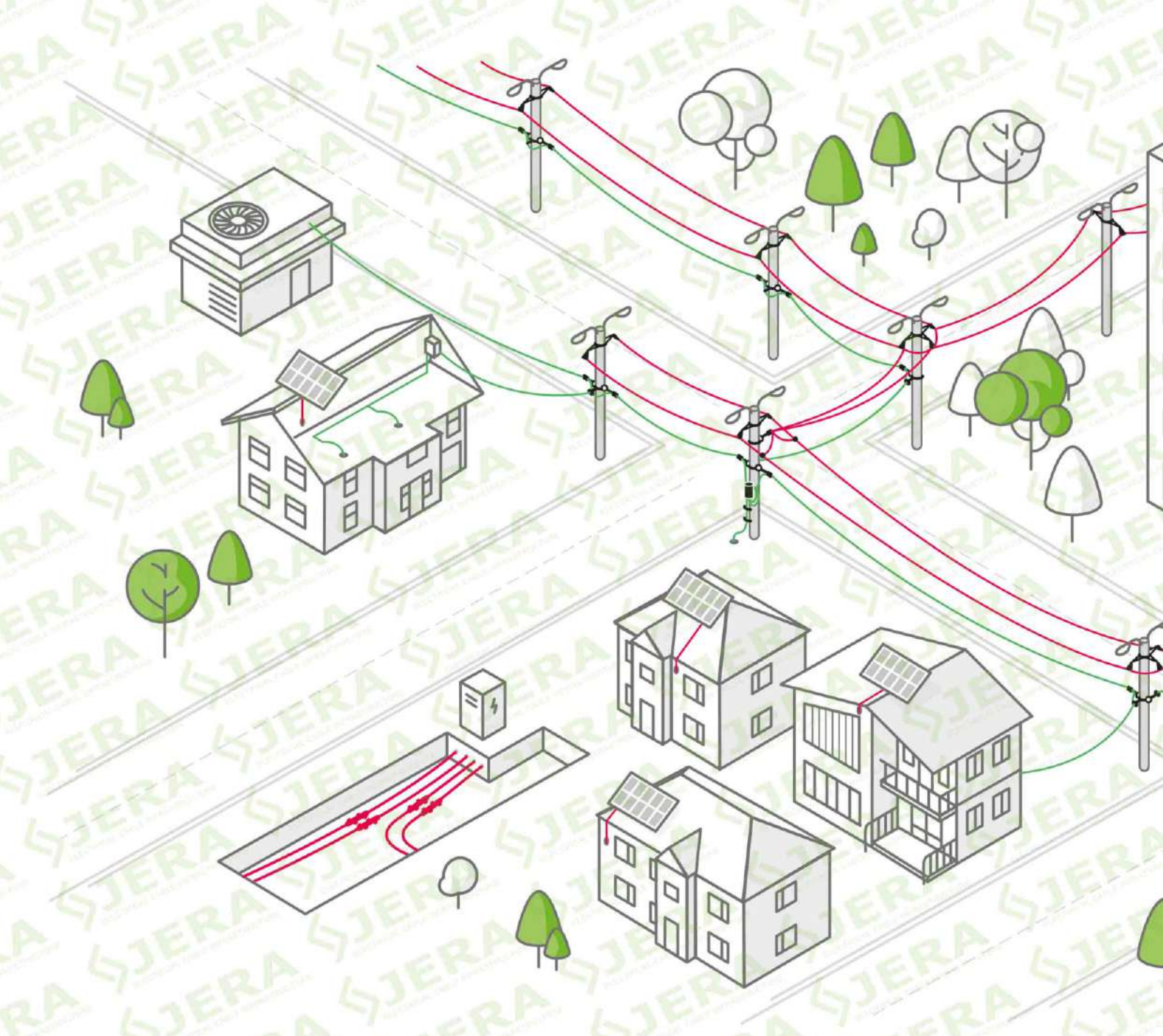
Our products have been inspected with the collaboration of electricity and telecom utility companies in order to satisfy the local requirements and national standards of our customers.

Our company is operating according to ISO 9001:2015, it helps us to sell to over 20 countries and regions such as CIS, Europe, South America, Middle East, Africa, and Asia.

We hope to meet our customer needs with fair price, prompt production, confident quality, flexible OEM, working 5S methods, and modern ways of CRM system.

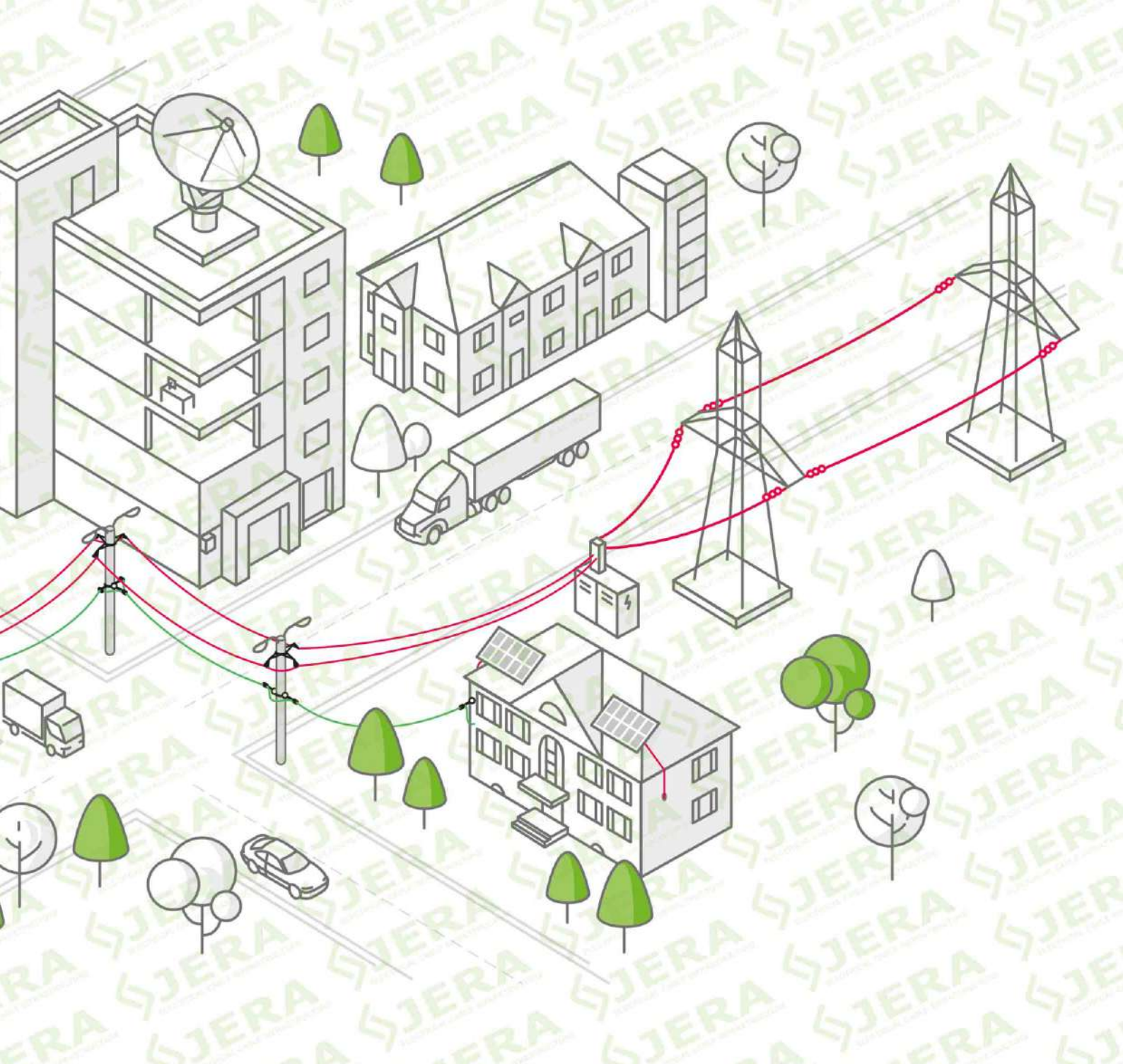
Each day we are improving our product range to achieve new challenges of global market.

Welcome to cooperate, our intention is committed to build long-term relationships.



LOW VOLTAGE ABC CABLE ACCESSORIES

Jera Company develops the wide range of reliable clamps, cable lugs, connectors, and pole's hardware for low voltage aerial bundled conductors (LV ABC) lines used in overhead and underground electrical distribution systems, street lightning, buildings, transportation, and substations.



All the fittings can be applied in electrical distribution networks from 0,4 KV to 1,0 KV, and used to accomplish:

- self-supporting ABC line installation;
- insulated messenger line installation;
- bare messenger line installation.

A product range, meet the criteria of key regional standards such as CENELEC (EN-50483), NF C 33-020, ROSSETI (CIS market).

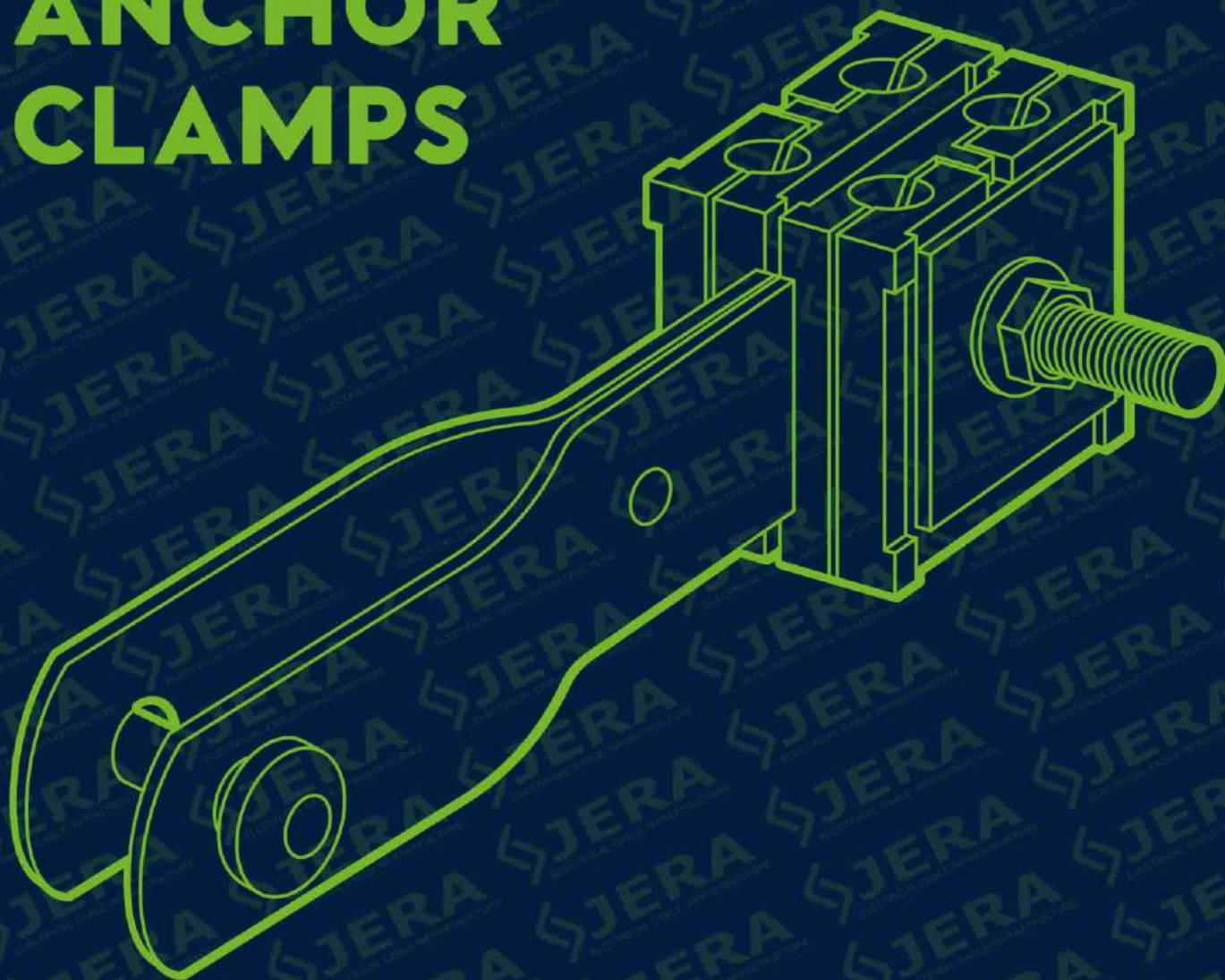
Quality of our products is verified in factory's laboratory or 3rd party laboratory, by arranging following inspections: mechanical strength test, electrical aging test, corrosion resistant test, chemical content test, operation experience with temperatures ranging from $-30\text{ }^{\circ}\text{C}$ up to $+70\text{ }^{\circ}\text{C}$ test, climatic aging test etc.

We offer reliable and competitive range of LV wiring cable accessories of modern design and long life period. By implementing an advanced experience and know-how,

we are eager to offer modern and high-qualified products. In addition, we can customize this product range according to your requirements of cable size.

We will be happy to receive inquiries from you.

ANCHOR CLAMPS



Anchor clamps were developed to anchor low voltage aerial bundled conductors, which used on following routes:

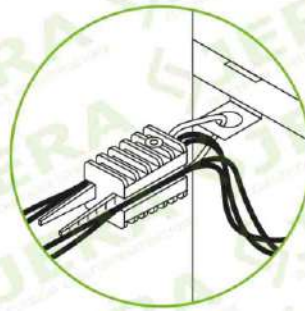
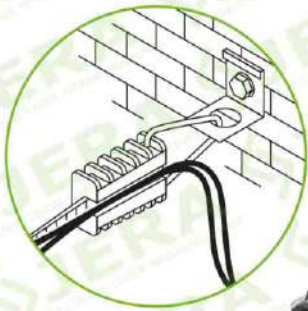
- self-supporting ABC lines installation;
- insulated messenger lines installation;
- bare messenger lines installation.

Depend on mentioned cable type, Jera Company offers bolted clamps and wedge types of aluminum and plastic clamps. Usually bolted clamps are to use on main lines, whereas wedge type clamps used on service lines, for end use connections.

Our anchor clamps are made of hot dip or electro galvanized steel materials, weather and UV resistant fiberglass reinforced plastic, stainless steel, galvanized hardware. Anchor clamps meet the criteria of key regional standards such as CENELEC, EN-50483-4, NF C 33-020, ROSSETI (CIS market).

All the brackets passed the temperature cycling test. All the brackets meets the criteria of NF C 33042 and EN 50-483.

SELF-SUPPORTING ABC LINE INSTALLATION (2 CORE OR 4 CORE CONDUCTORS)



SERVICE CLAMP STB

Product code	STB
Cable type	2 core ABC
Cable size, mm²	16-25
MBL, kN	2,0
Overhead Line Application	End use connections, up to 1KV

Product information:

Service clamp STB is wedge type, designed to anchor insulated service lines with 2 conductors of airdac cable, in LV ABC insulated overhead systems, up to 1KV.

Applied on cable from 16 to 25 mm² in branch / service / end user electrical connections.

Service clamp STB is made of hot dip galvanized or stainless steel, UV resistant, FG reinforced polymers.

Service clamp STB is self-adjusting compared to bolted clamps, this simplify the installation process, and allows installations of closed drive hooks, pole brackets and other low voltage cable brackets and other pole fittings and hardware.

Product analogs: DN1, PA 16-35/2, PA 25×100, PA25.

SERVICE CLAMP STC

Product code	STC
Cable type	4 core ABC
Cable size, mm²	10-35
MBL, kN	2,5
Overhead Line Application	End use connections, up to 1KV

Product information:

Service clamp STC is wedge type, designed to anchor insulated service lines with 4 conductors of airdac cable, in LV ABC insulated overhead systems, up to 1KV.

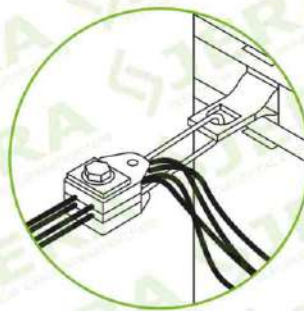
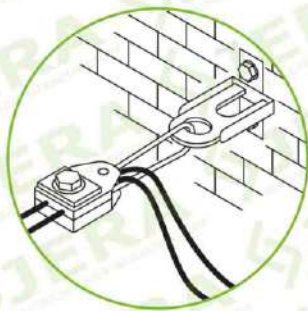
Applied on cable from 10 to 35 mm² in branch / service / end user electrical connections.

Service clamp STC is made of hot dip galvanized or stainless steel, UV resistant, FG reinforced polymers.

Service clamp STC is self-adjusting compared to bolted clamps, this simplify the installation process, and allows installations of closed drive hooks, pole brackets and other low voltage cable brackets and other pole fittings and hardware.

Product analogs: PA 25×100, DN 123, PC 63 TF 8.

SELF-SUPPORTING ABC LINE INSTALLATION (2 CORE OR 4 CORE CONDUCTORS)



BOLTED CLAMP PA-157

Product code	PA-157
Cable type	2 core ABC
Cable size, mm²	16–35
MBL, kN	2x16 mm ² 2.5 kN, 2x25 mm ² 4 kN, 2x35 mm ² 5.6 kN
Overhead Line Application	End use connections, up to 1 KV

Product information:

Bolted clamp PA-157, designed to anchor insulated service lines with 2 conductors of airdac cable, in LV ABC insulated overhead systems, up to 1 KV.

Applied on cable from 16 to 35 mm² in branch / service / end user electrical connections. Tightening installation torque should not be lower than 22 N*m.

Bolted clamp PA-157 is made of stainless steel hanger, aluminum, UV resistant, FG reinforced polymers, hot dip galvanized hardware.

Self-opening feature is realized by springs that keep the clamp in open position during the installation. Bolt thread alum plate, directly. Absence of additional nut simplify the installation process. The construction of bolted clamp PA-157 allows installations with LV ABC hooks and brackets.

Product analogs: SM-157, S0157.1, GUKp2.

BOLTED CLAMP PA-158

Product code	PA-158
Cable type	4 core ABC
Cable size, mm²	16–35
MBL, kN	4x16 mm ² 2.5 kN, 4x25 mm ² 4 kN, 4x35 mm ² 5.6 kN
Overhead Line Application	End use connections, up to 1 KV

Product information:

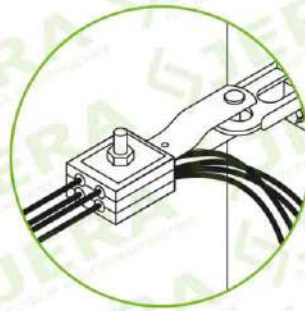
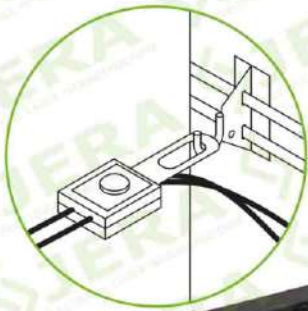
Bolted clamp PA-158, designed to anchor insulated service lines with 4 conductors of airdac cable, in LV ABC insulated overhead systems, up to 1 KV.

Applied on cable from 16 to 35 mm² in branch / service / end user electrical connections. Tightening installation torque should not be lower than 22 N*m.

Bolted clamp PA-158 is made of stainless steel hanger, aluminum, UV resistant, FG reinforced polymers, hot dip galvanized hardware.

Self-opening feature is realized by springs that keep the clamp in open position during the installation. Bolt thread alum plate, directly. Absence of additional nut simplify the installation process. The construction of bolted clamp PA-158 allows installations with LV ABC hooks and brackets.

Product analogs: SM-158, S0158.1, GUKp4, HEL-5505-B.



BOLTED CLAMP PA-215

Product code	PA-215
Cable type	2 core ABC
Cable size, mm²	10-50
MBL, kN	2x10 mm ² 2.5 kN / 2x16 mm ² 3.5 kN / 21x25 mm ² 5 kN 2x35 mm ² 6 kN / 2x50 mm ² 6 kN
Overhead Line Application	Main connections / end use connections, up to 1KV

Product information:

Bolted clamp PA-215, designed to anchor or suspend insulated service lines with 2 conductors of airdac cable, in LV ABC insulated overhead systems, up to 1KV.

Applied on cable from 10 to 50 mm² in main / branch / service / end user electrical connections. Tightening installation torque should not be lower than 22 N*m.

Bolted clamp PA-215 is made of electro galvanized or hot dip galvanized steel, UV resistant, FG reinforced polymers, galvanized hardware.

The anchoring or suspension can be changed by rotating plastic wedges up to 90. The supports on the wedges allow faster installation compared with analogs. Self opening feature is realized by springs that keep the clamp in open position during the installation. The construction of bolted clamp PA-415 allows installations with LV ABC hooks and brackets.

Product analogs: S0169, S080, TCHA, PAS216/435, GUKp 2, HEL-5505-2.

BOLTED CLAMPS PA-415, PA-415Y

Product code	PA-415 / PA-415Y
Cable type	4 core ABC
Cable size, mm²	10-50
MBL, kN	4x10 mm ² 5 kN / 4x16 mm ² 7 kN / 4x25 mm ² 10 kN / 4x35 mm ² 12 kN / 4x16 mm ² 12 kN
Overhead Line Application	Main connections / end use connections, up to 1KV

Product information:

Bolted clamps PA-415 and PA-415Y, designed to anchor or suspend insulated service lines with 2 conductors of airdac cable, in LV ABC insulated overhead systems, up to 1KV.

Applied on cable from 10 to 50 mm² in main / branch / service / end user electrical connections. Tightening installation torque should not be lower than 22 N*m.

Bolted clamps PA-415, PA-415Y are made of electro galvanized or hot dip galvanized steel, UV resistant, FG reinforced polymers, galvanized hardware.

The anchoring or suspension can be changed by rotating plastic wedges up to 90. The supports on the wedges allow faster installation compared with analogs. Self opening feature is realized by springs that keep the clamp in open position during the installation. The construction of bolted clamp PA-415Y allows installations with the close hook LV ABC attachments.

Product analogs: S0169, S080, TCHA, PAS216/435, GUKp 2, HEL-5505-2.

SELF-SUPPORTING ABC LINE INSTALLATION (2 CORE OR 4 CORE CONDUCTORS)



BOLTED CLAMP PA-455

Product code	PA-455
Cable type	4 core ABC
Cable size, mm²	50–150
MBL, kN	4x50 mm ² 25 kN / 4x70 mm ² 35 kN / 4x95 mm ² 35 kN / 4x120 mm ² 35 kN/ 4x150 mm ² 35 kN

Overhead Line Application Main connections, up to 1 KV

Product information:

Bolted clamp PA-455, designed to anchor insulated service lines with 4 conductors of airdac cable, in LV ABC insulated overhead systems, up to 1 KV.

Applied on cable from 50 to 150 mm² in main electrical connections. Tightening installation torque should not be lower than 35 N*m.

Bolted clamp PA-455 is made of hot dip galvanized steel, UV resistant, FG reinforced polymers, galvanized hardware, aluminium.

Self opening feature is realized by springs that keep the clamp in open position during the installation. Shear head nut with torque 35 Nm guarantee ultimate fixation and end user convenience. The construction of bolted clamp PA-455 allows installations with the LV ABC hooks.

Product analogs: S0275, S0276S, NES-B3, NES-B4, GUKo1, GUKo2, HEL-5505, HEL-5506, RPA 425/50.

INSULATED MESSENGER LINE INSTALLATION



SERVICE CLAMP STI

Product code	STI
Cable type	Single core ABC
Cable size, mm²	10–70
MBL, kN	2
Overhead Line Application	End use connections, up to 1 KV

Product information:

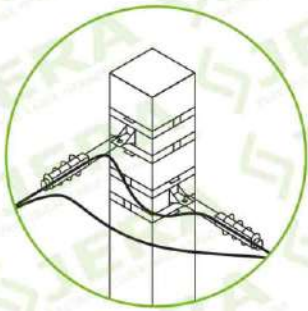
Anchoring clamp STI is wedge type, designed to anchor insulated service lines with insulated messenger wire of airdac cable, in LV ABC insulated overhead systems, up to 1KV.

Applied on cable from 10 to 70 mm² in branch / service / end user electrical connections.

Service clamp STI is made of hot dip galvanized or stainless steel, UV resistant, FG reinforced polymers.

Service clamp STI is self-adjusting compared to bolted clamps, this simplify the installation process, and allows installations of closed drive hooks, pole brackets and other low voltage cable brackets and other pole fittings and hardware.

Product analogs: S0 95, DRC-1, DRC-2, DN414, PC 83.



STRAIN CLAMP PA-1500.1

Product code	PA-1500.1
Cable type	Single core ABC
Cable size, mm²	50-70
MBL, kN	15
Overhead Line Application	Main connections, up to 1 KV

Product information:

Anchoring clamp PA-1500.1 is wedge type, designed to anchor insulated messenger, in LV ABC insulated overhead systems, up to 1KV.

Applied on cable from 50 to 70 mm² in main electrical connections.

Anchoring clamp PA-1500.1 is made of stainless steel wire bail, UV resistant, FG reinforced polymers, high strength aluminium.

Anchoring clamp PA-1500.1 is self-adjusting compared to bolted clamps, this simplify the installation process, and allows installations of closed drive hooks, pole brackets and other low voltage cable brackets and other pole fittings and hardware.

Product analogs: PA 54-1500C, PA-1500, DR-1600.

STRAIN CLAMP PA-1000, PA-1500, PA-2200

Product code	PA-1000	PA-1500	PA-2200
Cable type	Single core ABC		
Cable size, mm²	25-35	50-70	75-95
MBL, kN	10	15	22
Overhead Line Application	Main connections, up to 1KV		

Product information:

Anchoring clamps PA-1000, PA-1500, PA-2200 are wedge type, designed to anchor insulated messenger, in LV ABC insulated overhead systems, up to 1KV.

Applied on cable from 25 to 95 mm² in main electrical connections.

Anchoring clamps are made of stainless steel wire bail, UV resistant, FG reinforced polymers, high strength aluminium.

Anchoring clamps PA-1000, PA-1500, PA-2200 are self-adjusting compared to bolted clamps, this simplify the installation process, and allows installations of closed drive hooks, pole brackets and other low voltage cable brackets and other pole fittings and hardware.

Product analogs: PA 35-1000A, PA 54-1500C, PA 95-2000A.

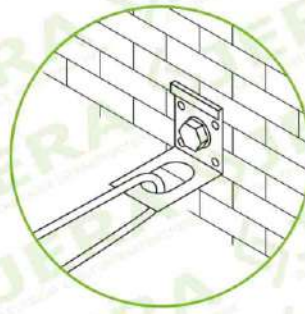
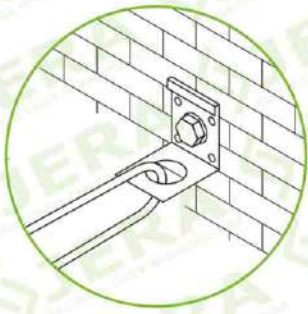
ANCHOR BRACKETS

Anchor brackets were developed to attach anchor clamps to wooden, metal or concrete poles, walls, houses and constructions during low voltage Aerial Bundled Conductor installation. Anchor brackets are made of aluminium or stainless steel.

Anchor brackets installed by bolts with diameters 10, 14, 16 or using one or two 20x0.7 mm stainless steel bands with appropriate type of buckles. All the related products, as well as tools, you may find in our product range.

Anchor brackets meet the criteria of key regional standards such as CENELEC, EN 50483-4, NF C 33-020, ROSSETI (CIS market).





ANCHOR BRACKET CA-25

Product code	CA-25
MBL, kN	2
Overhead Line Application	End use connections, up to 1 KV

Product information:

Anchor bracket CA-25 developed to be used on wooden, metal or concrete poles, to anchor the clamp with cable. Applied on cables with one service clamp, on dead end route, end user electrical connections, up to 1 KV.

Anchor bracket CA-25 made of high strength aluminum alloy, attached to poles by one stainless steel band (20 mm) or a bolt 14, 16 mm diameter or 4 screws.

Product analogs: CA 16; CAB25.

ANCHOR BRACKET CA-26

Product code	CA-26
MBL, kN	2
Overhead Line Application	End use connections, up to 1 KV

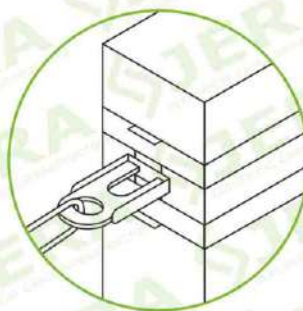
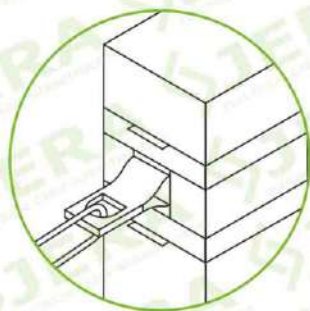
Product information:

Anchor bracket CA-26 developed to be used on wooden, metal or concrete poles, to anchor the clamp with cable. Applied on cables with one service clamp, on dead end route, end user electrical connections, up to 1 KV.

Anchor bracket CA-26 made of stainless steel, attached to poles by one stainless steel band (20 mm) or a bolt 14, 16 mm diameter or 4 screws.

Product analogs: CA 16; CAB25.

ANCHOR BRACKETS



ANCHOR BRACKET CA-1500.1, CA-2000.1

Product code	CA-1500.1	CA-2000.1
MBL, kN	15	20
Overhead Line Application	Main connections, up to 1KV	

Product information:

Anchor brackets CA-1500.1, CA-2000.1 developed to be used on wooden, metal or concrete poles, to anchor the clamp with cable. Applied on cables in main routes of electrical connections, up to 1 KV, usually with insulated messengers.

Anchor brackets CA-1500.1, CA-2000.1 made of high strength aluminium alloy.

Brackets CA attached to poles by two stainless steel band (20 mm) or a bolt 14, 16 mm diameter.

Product analogs: CA 1500, CS 1500, CS 1500 F, CS 10, CS-10.2, CS10.3, CA 2000.

ANCHOR BRACKET CA-1500

Product code	CA-1500
MBL, kN	15
Overhead Line Application	Main connections, up to 1KV

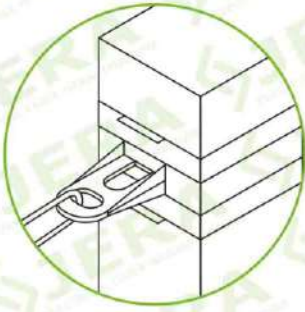
Product information:

Anchor brackets CA-1500, CA-2000 developed to be used on wooden, metal or concrete poles, to anchor the clamp with cable, up to 1 KV. Applied on cables in main routes of electrical connections, usually with insulated messengers.

Anchor brackets CA-1500, CA-2000 made of high strength aluminium alloy.

Brackets CA attached to poles by two stainless steel band (20 mm) or a bolt 14, 16 mm diameter.

Product analogs: CA 1500, CS 1500, CS 1500 F, CS 10, CS-10.2, CS10.3, CA 2000.



ANCHOR BRACKET CA-2000

Product code	CA-2000
MBL, kN	20
Overhead Line Application	Main connections, up to 1 KV

Product information:

Anchor brackets CA-1500, CA-2000 developed to be used on wooden, metal or concrete poles, to anchor the clamp with cable, up to 1 KV. Applied on cables in main routes of electrical connections, usually with insulated messengers.

Anchor brackets CA-1500, CA-2000 made of high strength aluminium alloy.

Brackets CA attached to poles by two stainless steel band (20 mm) or a bolt 14, 16 mm diameter.

Product analogs: CA 1500, CS 1500, CS 1500 F, CS 10, CS-10.2, CS10.3, CA 2000.

SUSPENSION CLAMPS



Suspension clamps were developed for supporting low voltage aerial bundled conductors, which used on:

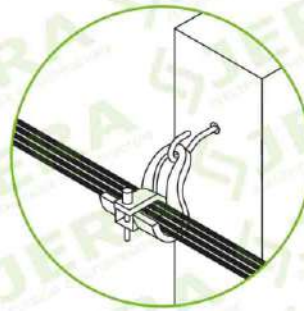
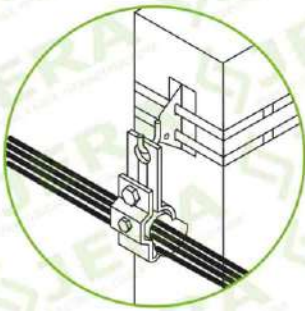
- self-supporting ABC lines;
- insulated messenger lines;
- bare messenger lines.

Suspension clamps can be hanged to variety of surfaces: wooden or concrete poles, walls and buildings through the suspension bracket or hook. As a one-piece format, suspension clamp remove all the problems of dropping components while installation process. Low voltage suspension clamps are intended for use on straight runs and line deviation angles up to 90°.

Suspension clamps are made of hot dip or electro galvanized steel materials, high strength aluminium, weather and UV resistant fiberglass reinforced plastic, stainless steel, galvanized hardware.

Suspension clamps meet the criteria of key regional standards such as CENELEC, EN-50483-4, NF C 33-020, ROSSETI (CIS market).

SELF-SUPPORTING ABC LINE INSTALLATION (2 CORE OR 4 CORE CONDUCTORS)



SUSPENSION CLAMP PS-130

Product code	PS-130
Cable type	2, 4 core ABC
Cable size, mm²	16-120
MBL, kN	10
Overhead Line Application	Main connections, up to 1 KV

Product information:

Suspension clamp PS-130 designed to suspend four or two insulated main connectors in self-supporting aerial bundled cable system, up to 1 KV. Clamp attach to towers, poles or walls, on angles up to 30°.

Suspension clamp PS-130 applied on cables from 16 to 120 mm² in main electrical connections. Tightening installation torque should not be lower than 10 N*m.

Suspension clamp PS-130 is made of high strength aluminum parts, weather and UV resistant fiberglass reinforced plastic parts, corrosion resistant hardware, and stainless steel ring. Suspension clamp PS-130 is a one-piece format. Assists linemen by hanging the LV-ABC in open position, and allow quick installation by tightening the fastener. Stainless steel ring allows easy installations with the LV ABC hooks, pigtails.

Product analogs: SPD, SO-130, USC 25-120, PS 4120, PS-470/95.

SUSPENSION CLAMP PS-270

Product code	PS-270
Cable type	2, 4 core ABC
Cable size, mm²	25-120
MBL, kN	7
Overhead Line Application	Main / End use connections, up to 1 KV

Product information:

Suspension clamp PS-270 designed to suspend four or two insulated main connectors in self-supporting aerial bundled cable system, up to 1 KV. Clamp attach to towers, poles or walls, on angles up to 30°.

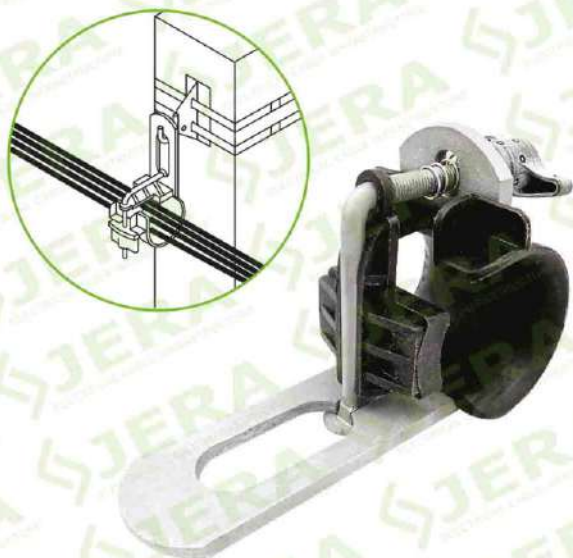
Suspension clamp PS-270 applied on cables from 25 to 120 mm² in main electrical connections. Tightening installation torque should not be lower than 5 N*m.

Suspension clamp PS-270 is made of weather and UV resistant fiberglass reinforced plastic parts, corrosion resistant hardware, and aluminium nut.

Suspension clamp PS-270 is a one-piece format. Assists linemen by hanging the LV-ABC in open position, and allow quick installation by tightening the fastener. Self-opening feature is realized by springs that keep the clamp in open position during the installation with the LV ABC hooks, pigtails, and brackets.

Product analogs: SO-270, USC, PSP-25/120, Z 2050.

SELF-SUPPORTING ABC LINE INSTALLATION (2 CORE OR 4 CORE CONDUCTORS)



SUSPENSION CLAMP PS-224

Product code	PS-224
Cable type	2, 4 core ABC
Cable size, mm²	16-120
MBL, kN	6
Overhead Line Application	Main / end use connections, up to 1 KV

Product information:

Suspension clamp PS-224 designed to suspend four or two insulated main connectors in self-supporting aerial bundled cable system, up to 1 KV. Clamp attach to towers, poles or walls, on angles up to 30°.

Suspension clamp PS-224 applied on cables from 16 to 120 mm² in main electrical connections. Tightening installation torque should not be lower than 5 N*m. Maximum diameter for suspension hook is 20 mm.

Suspension clamp PS-224 is made of weather and UV resistant fiberglass reinforced plastic parts, hot dip galvanized steel, corrosion resistant hardware.

Suspension clamp PS-224 is a one-piece format. Assists linesmen by hanging the LV ABC in open position, and allow quick installation by tightening the fastener. Self-opening feature is realized by springs that keep the clamp convenient position during the installation with the LV ABC hooks, pigtails, and brackets.

Product analogs: Z 224M, PS 130.

INSULATED MESSENGER LINE INSTALLATION



SUSPENSION CLAMP ES-1500.1

Product code	ES-1500.1
Cable type	Single core ABC
Cable size, mm²	16-95
MBL, kN	6
Overhead Line Application	End use connections, up to 1 KV

Product information:

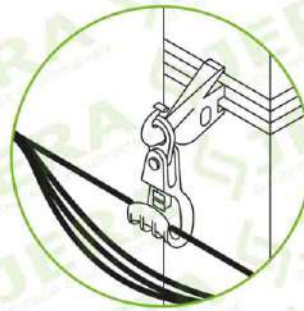
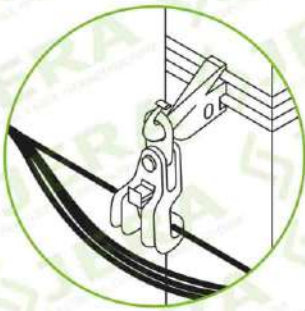
Suspension clamp ES-1500.1 designed to suspend one core insulated connector in self-supporting aerial bundled cable system, up to 1 KV. Clamp attach to towers, poles or walls, can be installed in straight direction, in line deviation angle up to 90°.

Suspension clamp ES-1500.1 applied on cables from 16 to 95 mm² in end use electrical connections.

Suspension clamp ES-1500.1 is made of weather and UV resistant fiberglass reinforced plastic, full dielectric.

Suspension clamp ES-1500.1 is a one-piece format, allows quick installation by locking adjustable grip clip despite different cable sizes. Toolfree installation provides it's universality during the installation with the LV ABC hooks, pigtails, and PS-1500 bracket.

Product analogs: F-ALMB, F-MB, ES-1500, PS 54, PS54+CS14.



SUSPENSION ASSEMBLY PS-1500

Product code	PS-1500
Cable type	Single core ABC
Cable size, mm²	16-95
MBL, kN	8
Overhead Line Application	Main / end use connections, up to 1 KV

Product information:

Suspension assembly PS-1500 designed to suspend one core insulated connector in self-supporting aerial bundled cable system, up to 1 KV. Clamp attach to towers, poles or walls, can be installed in straight direction, for angles up to 30° towards the pole and up to 50° away from the pole. Movable link allows the universal movement of the clamp body.

Suspension assembly PS-1500 applied on cables from 16 to 95 mm² in main or end use electrical connections.

Suspension assembly consist of suspension clamp PS-1500 which is made of weather and UV resistant fiberglass reinforced plastic, and suspension brackets PS-1500 which is made of high strength aluminium.

Suspension assembly PS-1500 is a one-piece format, assists linesmen by hanging the neutral messenger in open position PS-1500 allows quick installation by locking adjustable grip clip despite different cable sizes. Toolfree installation provides it's universality during the installation with the LV ABC hooks, pigtails, and stainless steel band.

Product analogs: ESF54/70, ES 54-14, ES 1500 25-95.

SUSPENSION ASSEMBLY ES-1500

Product code	ES-1500
Cable type	Single core ABC
Cable size, mm²	16-95
MBL, kN	8
Overhead Line Application	Main / end use connections, up to 1 KV

Product information:

Suspension assembly ES-1500 designed to suspend one core insulated connector in self-supporting aerial bundled cable system, up to 1 KV. Assembly attach to towers, poles or walls, can be installed in straight direction, for angles up to 30° towards the pole and up to 50° away from the pole. Movable link allows the universal movement of the clamp body.

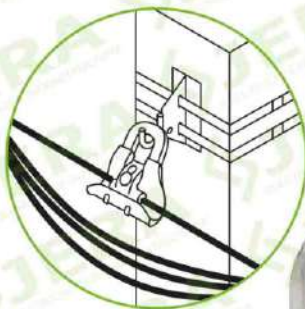
Suspension assembly ES-1500 applied on cables from 16 to 95 mm² in main or end use electrical connections.

Suspension assembly consist of suspension clamp ES-1500 which is made of weather and UV resistant fiberglass reinforced plastic, and suspension brackets ES-1500 which is made of high strength aluminium.

Suspension assembly ES-1500 is a one-piece format, assists linesmen by hanging the neutral messenger in open position. ES-1500 allows quick installation by locking adjustable grip clip despite different cable sizes. Toolfree installation provides it's universality during the installation with the LV ABC closed hooks, pigtails, and stainless steel band.

Product analogs: ESF54/70, ES 54-14, ES 1500 25-95.

INSULATED MESSENGER LINE INSTALLATION



SUSPENSION CLAMP PS-25-95

Product code	PS-25-95
Cable type	Single core ABC
Cable size, mm²	25-95
MBL, kN	22
Overhead Line Application	Main / end use connections, up to 1KV

Product information:

Suspension clamp PS-25-95 designed to suspend one core insulated connector in self-supporting aerial bundled cable system, up to 1KV. Assembly attach to towers, poles or walls by hook, in straight lines and angles up to 90°.

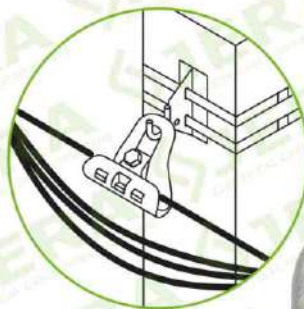
Suspension clamp PS-25-95 applied on cables from 25 to 95 mm² in main or end use electrical connections.

Suspension clamp PS 25-95 is made of high strength aluminum and UV resistant fiberglass reinforced plastic, hot dip galvanized hardware.

Suspension clamp PS 25-95 is a one-piece format, assists linesmen by hanging the neutral messenger in open position. PS-25-95 allows quick installation by locking wing nut by hand despite different cable sizes. Toolfree installation provides it's universality during the installation with the LV ABC hooks, pigtails, brackets.

Product analogs: SO69.95, F-AL, SM95.

BARE MESSENGER LINE INSTALLATION



SUSPENSION CLAMP PS-94

Product code	PS-94
Cable type	Bare single core ABC
Cable size, mm²	16-95
MBL, kN	25
Overhead Line Application	Main connections, up to 1KV

Product information:

Suspension clamp PS-94 designed to suspend one bare core connector in self-supporting aerial bundled cable system, up to 1KV. Clamp attach to towers, poles or walls by hook, in straight lines and angles up to 90°.

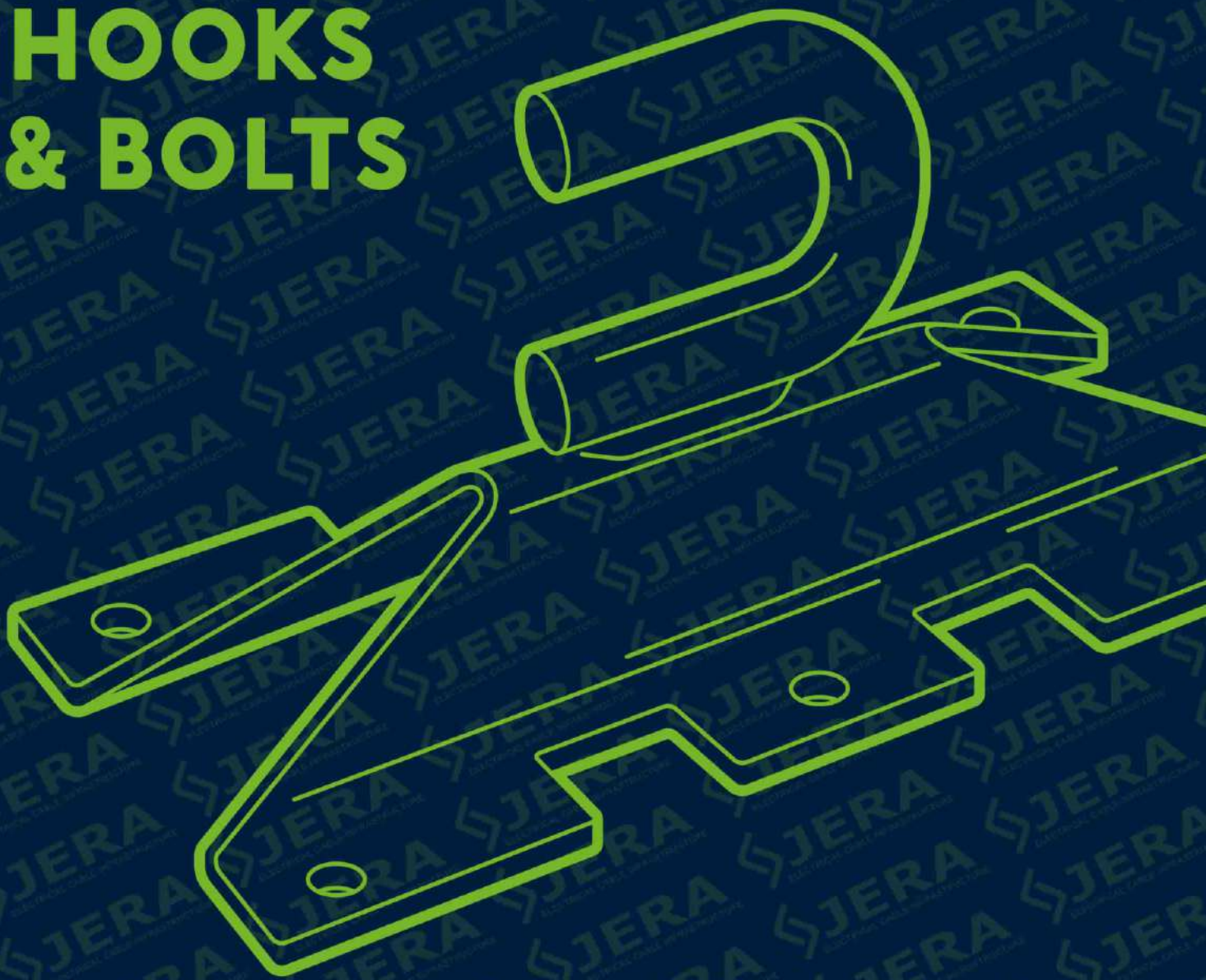
Suspension clamp PS-94 applied on AAAC cables from 16 to 95 mm² in main electrical connections. Tightening torque should not be lower than 48 N*m.

Suspension clamp PS 94 is made of high strength aluminum, hot dip galvanized hardware.

Suspension clamp PS-94 is a one-piece format. The cable should be tied with a nylon tie on both sides of the clamp after attaching to LV ABC hooks, pigtails, brackets.

Product analogs: SO214, SM94.

HOOKS & BOLTS

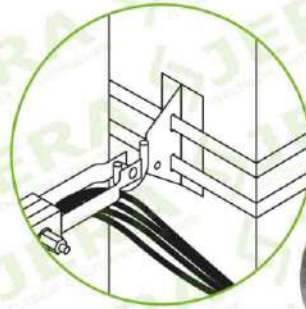
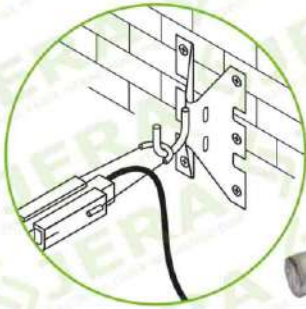


Hooks and bolts were developed to attach anchor or suspension clamps to wooden, metal or concrete poles, walls, houses and constructions during low voltage aerial bundled conductor installation. Following hardware made of hot dip galvanized steel with exceptional mechanical strength.

LV ABC hooks and bolts are appropriate to work with Jera anchor clamps, service clamps, suspensions clamps.

Hooks installed by bolts with diameters 10, 14, 16 or using one or two 20×0.7mm stainless steel bands with appropriate type of buckles. Bolts putting inside the pole directly. All the related products, as well as tools, you may find in our product range.

Anchor brackets meet the criteria of key regional standards such as CENELEC, EN-50483-4, NFC 33-020, ROSSETI (CIS market).



HOOK BRACKET KR-16

Product code	KR-16
MBL, kN	18
Overhead Line Application	Main / end use connections, up to 1KV

Product information:

Hook bracket KR-16 developed to be used on wooden, metal or concrete poles. Installed on pole or wall by 2 stainless steel strap (20 mm) or 6 screws.

Hook bracket KR-16 applied on main or end use electrical connections, up to 1KV on dead-end or intermediate routes with tension or suspension clamps.

Hook bracket KR-16 made of hot dip galvanized steel.

Product analogs: HEL-5661, SOT28, GH50 16, GH50 20, GHP 16, GHP 20.

HOOK BRACKET CF-16

Product code	CF-16
MBL, kN	18
Overhead Line Application	Main / end use connections, up to 1KV

Product information:

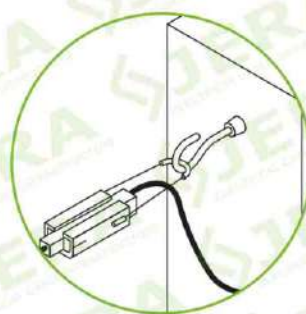
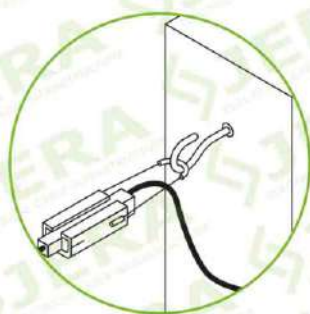
Hook bracket CF-16 developed to be used on wooden, metal or concrete poles. Installed on pole by 2 stainless steel strap (20 mm).

Hook bracket CF-16 applied on main or end use electrical connections, up to 1KV on dead-end or intermediate routes with tension or suspension clamps.

Hook bracket CF-16 made of hot dip galvanized steel.

Product analogs: HEL-5661, SOT29.10, SOT39.

HOOKS & BOLTS



HOOK BOLTS B-12, B-14, B-16, B-20

Product code	B-12	B-14	B-16	B-20
MBL, kN	10	12	15	20
Overhead Line Application	Main connections. up to 1KV			

Product information:

Hook bolts developed to be used to carry tension clamp or suspension clamps on wooden, metal or concrete poles. Installed on pole by inserting and clamped by nut in opposite to hook part.

Hook bolts applied on main or end use electrical connections, up to 1 KV on dead-end or intermediate routes with tension or suspension clamps.

Hook bolts made of hot dip galvanized steel.

Product analogs: HEL-5532, SOT21.

PIGTAIL HOOKS H-12, H-14, H-16, H-20

Product code	H-12	H-14	H-16	H-20
MBL, kN	10	12	15	20
Overhead Line Application	Main connections. up to 1KV			

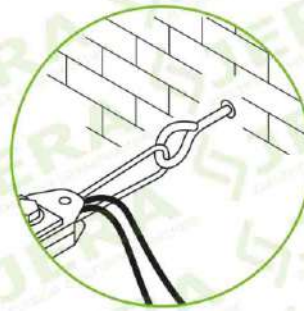
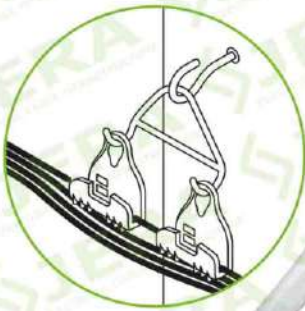
Product information:

Pigtail hooks developed to be used to carry tension clamp or suspension clamps on wooden, metal or concrete poles. Installed on hook bolt as a nut from the opposite site of pole.

Pigtail hooks applied on main or end use electrical connections, up to 1 KV on dead-end or intermediate routes with tension or suspension clamps.

Pigtail hooks are made of hot dip galvanized steel.

Product analogs: HEL-5532, SOT21.



YOKE BRACKET Y-16

Product code	Y-16
MBL, kN	12
Overhead Line Application	Main connections, up to 1 KV

Product information:

Yoke bracket Y-16 developed to be used to carry suspension clamps on wooden, metal or concrete poles. Installed on hook bolt.

Yoke bracket applied on main or end use electrical connections, up to 1 KV on intermediate routes with tension or suspension clamps.

Yoke bracket Y-16 suitable for use with two of the suspension clamps on angle poles, where the line angle deviates by more than 30°.

Yoke bracket Y-16 made of hot dip galvanized steel.

Product analogs: TNABC2XSUSBRKT.

PIGTAIL SCREW PS-8, PS-12

Product code	PS-8	PS-12
MBL, kN	8	10
Overhead Line Application	Main connections, up to 1 KV	

Product information:

Pigtail screw developed to be used to carry tension clamp or suspension clamps on wooden poles or wooden surfaces.

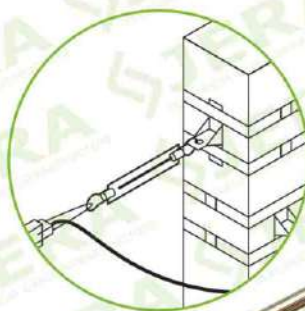
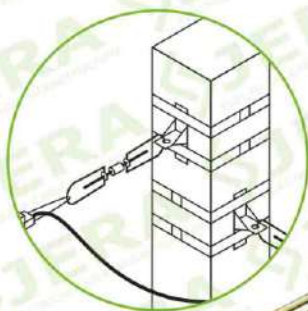
Pigtail screw applied on main or end use electrical connections, up to 1 KV on dead-end or intermediate routes with tension or suspension clamps.

Pigtail screw made of hot dip galvanized steel.

To install the pigtail screw all you need is to secure it on the pole as a screw, and then attach an appropriate LV ABC clamp, helps to secure cable as tightly as possible to pole or wooden surface.

Product analogs: 12x80.

HOOKS & BOLTS



TURNBUCKLE T-20

Product code	T-20
MBL, kN	20
Overhead Line Application	Main connections, up to 1 KV

Product information:

Turnbuckle T-20 developed to use with hook and brackets, and strain clamps, on main electrical connections, up to 1 KV, to adjust the string of cable line.

Turnbuckle T-20 made of galvanized steel. Have an adjustable length and very easy in tensioning the hardware bunch.

Product analogs: T-30.

TURNBUCKLE T-30

Product code	T-30
MBL, kN	30
Overhead Line Application	Main connections, up to 1 KV

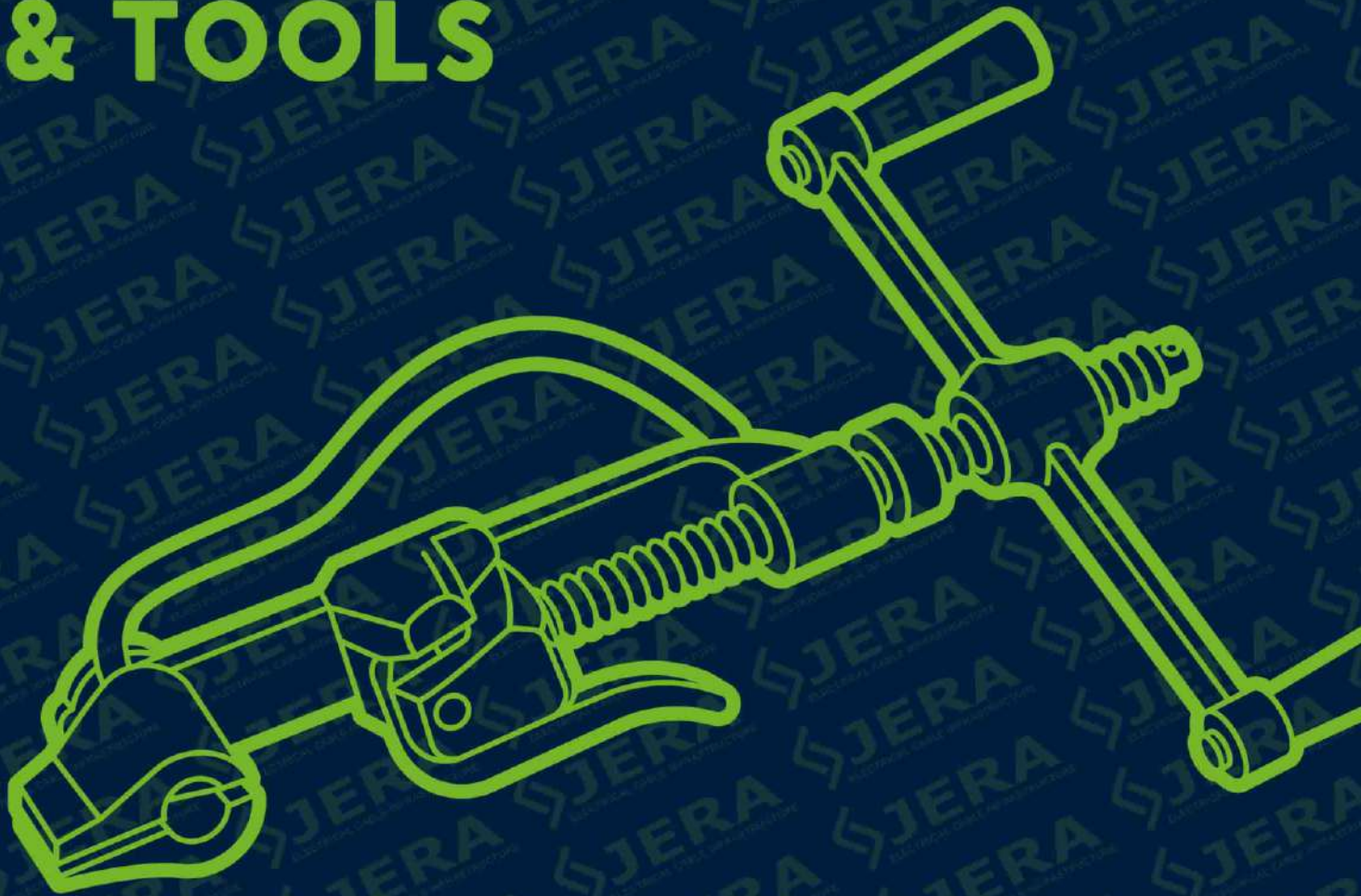
Product information:

Turnbuckle T-30 developed to use with hook and brackets, and strain clamps, on main electrical connections, up to 1 KV, to adjust the string of cable line.

Turnbuckle T-30 made of galvanized steel. Have an adjustable length and very easy in tensioning the hardware bunch.

Product analogs: T-20.

BANDS, BUCKLES & TOOLS



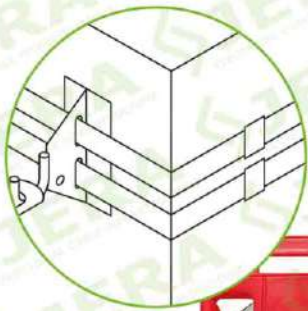
Stainless steel banding or strapping products and accessories were developed to bundle items together, to attach industrial fittings to the poles. Banding system is a set of fastening materials and special fixing devices made of stainless steel or steel, covered with special materials, gas, oil and mining industries, fixing signs to power line.

Basic package of banding accessories to fixate the LV ABC accessories to pole includes:

- stainless steel band;
- stainless steel buckles;
- tools for tightening band.

Stainless steel band accessories meet the criteria of key regional standards such as CENELEC, EN-50483-4, NF C 33-020, ROSSETI (CIS market).

Due to advantages as extended service life, extremely easy and convenient in use, securely and tightly attaching, strapping accessories can be applied very widely: in electrical fastening solutions, in construction of electrical distribution lines, low voltage and high voltage ABC lines, overhead transmission lines, telecommunication lines, construction of outdoor passive optic networks, street or traffic signs and video cameras, tubes and other pole hardware, marine and railway transportation.



Product information:

Stainless steel band applied with suspension clamps, anchor clamps, and hooks, on dead end and intermediate routes, of main or end use electrical connections.

Stainless steel bands are made of stainless steel of different grades: 201, 202, 304, 316, 409. Jera's band have superior elongation value, compared to other manufacturers. For easy identification of steel grade, we produce the plastic boxes form different colors.

Steel strapping is the strongest way of securing with heavy loads, when fixing items withhold the high tensile strength.

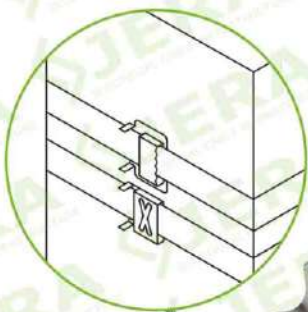
Jera's banding products are available in different sizes to assist your strapping needs. Stainless steel bands can guarantee extended service life; and attaching under significant mechanical loads.

Installation process:

1. Cut the stainless steel strap with needed length by strap banding tool.
2. Put on it the stainless steel buckle.
3. Fix the strap by moving the strap banding tool wheel (or ratchet), then cut the band.

STAINLESS STEEL BANDS

Material grade, SUS	201	202	304	316	409
Width	1/4" – 6,4 mm	3/8" – 9,5 mm	1/2" – 12,7 mm	5/8" – 16,0 mm	3/4" – 19,0 mm
Thickness	0.015" – 0,40 mm	0.020" – 0,50 mm	0.025" – 0,64 mm	0.028" – 0,70 mm	0.030" – 0,75 mm
Length for roll, m	30 or 50				
Colour of dispenser	Red	Green	Blue	Purple	Yellow



Product information:

Stainless Steel buckles, other called stainless steel clips, used to attach pole fittings, anchor clamps, suspension fittings and other fittings or accessories together with stainless steel band. , on dead end and intermediate routes, of main or end use electrical connections.

Stainless Steel buckles T-type are made of stainless steel of different grades: 201, 202, 304, 316.

Stainless Steel buckles T-type, are reinforced, this can guarantee extended service

life; and attaching under significant mechanical loads because teeth strictly clamped the band inside.

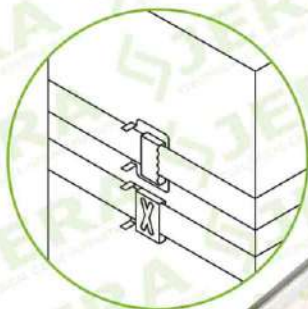
Stainless steel buckles T-type are made of different sizes depend on band strapping size to assist your strapping needs of securing with heavy loads. Stainless steel buckles has max size for band – 20 mm and appropriate for insertion of three coils of band strapping.

The design of buckles exclude purchase bolts, nuts and washers, hex keys of different sizes.

STAINLESS STEEL BUCKLES, T-TYPE

Product code	HC-10-T	HC-13-T	HC-16-T	HC-20-T
Max band width	3/8" – 10 mm	1/2" – 12,7 mm	5/8" – 16,0 mm	3/4" – 20,0 mm
Grades	201, 202, 304, 316	201, 202, 304, 316	201, 202, 304, 316	201, 202, 304, 316

BANDS, BUCKLES & TOOLS



Product information:

Stainless steel buckles, other called stainless steel clips, used to attach pole fittings, anchor clamps, suspension fittings and other fittings or accessories together with stainless steel band on dead end and intermediate routes, of main or end use electrical connections.

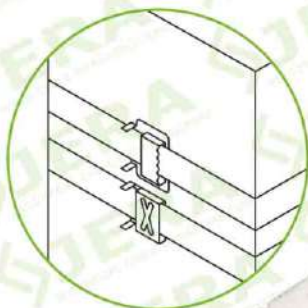
Stainless steel buckles L-type are made of stainless steel of different grades: 201, 202, 304, 316.

Stainless steel buckles L-type are made of different sizes depend on band strap-size to assist your strapping needs of securing with heavy loads. Stainless steel buckles has max size for band – 20 mm and appropriate for insertion of three coils of band strapping.

The design of buckles exclude purchase bolts, nuts and washers, hex keys of different sizes.

STAINLESS STEEL BUCKLES, L-TYPE

Product code	HC-10-L	HC-13-L	HC-16-L	HC-20-L
Max band width	3/8" – 10 mm	1/2" – 12,7 mm	5/8" – 16,0 mm	3/4" – 20,0 mm
Grades	201, 202, 304, 316	201, 202, 304, 316	201, 202, 304, 316	201, 202, 304, 316



Product information:

Stainless steel buckles, other called stainless steel clips, used to attach pole fittings, anchor clamps, suspension fittings and other fittings or accessories together with stainless steel band, on dead end and intermediate routes, of main or end use electrical connections.

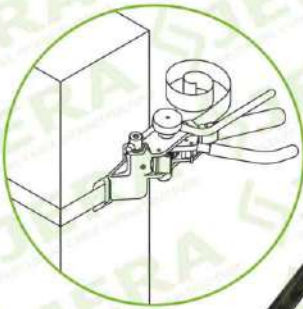
Stainless steel buckles LC and LX are made of stainless steel of different grades: 201, 202, 304, 316.

Stainless steel buckles LC and LX are made as analog to reinforced buckles, to withstand sufficient mechanical loads, compared to simple L type. Stainless steel buckles has max size for band – 20 mm and appropriate for insertion of three coils of band strapping.

The design of buckles exclude purchase bolts, nuts and washers, hex keys of different sizes.

STAINLESS STEEL BUCKLES, LX AND LC

Product code	HC-20-LC	HC-20-LX
Max band width	3/4" – 20,0 mm	3/4" – 20,0 mm
Grades	201, 202, 304, 316	201, 202, 304, 316



Product information:

Ratchet type tool MBT-004 is developed for tensioning the stainless steel band and mounting the fittings on wooden, concrete or metal poles. The tool is equipped with special blade for easily cutting the stainless steel band.

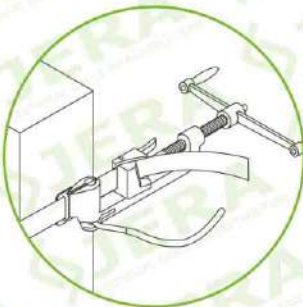
Ratchet tool MBT-004 heavy duty forged steel banding tool. Maximum thickness of mounted steel band is 1.5 mm, and 25 mm of width.

Ratchet tool MBT-004 is made of galvanized steel, which is resistant to impacts and wear. Have long durability and extended service life.

Ratchet tool MBT-004 is an easy way of binding stainless steel banding around different rack / pole elements. It keeps the tension tight on the strapping bands as they fasten the components together. The operations of cutting, tension, banding can be done with spin tension handle, spring-loaded gripper and cutter. To complete the installation: there is only one tool needed.

RATCHET TOOL MBT-004

Product code	MBT-004
Max band width	< 25
Grades	< 1.5



Product information:

Wheel type tool MBT-003 is developed for tensioning the stainless steel band and mounting the fittings on wooden, concrete or metal poles. The tool is equipped with special blade for easily cutting the stainless steel band.

Wheel type tool MBT-003 is heavy duty forged steel banding tool. Maximum thickness of mounted steel band is 1.2 mm, and 20 mm of width.

Wheel type tool MBT-003 is made of galvanized steel, which is resistant to impacts and wear. Have long durability and extended service life.

The strapping tool MBT-003 has superior rust corrosion resistance, and trouble proofed design, which strictly clamped the band and buckles. The cut knife withholds plenty of cutting cycles and guarantee long service period of tool. To complete the installation there is only one tool needed.

WHEEL TOOL MBT-003

Product code	MBT-003
Max band width	< 20
Grades	< 1.2

WALL MOUNTING BRACKETS & SADDLES



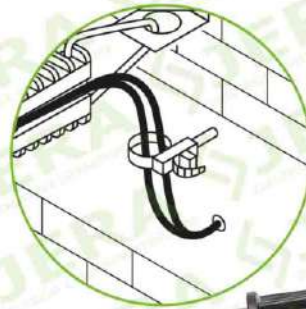
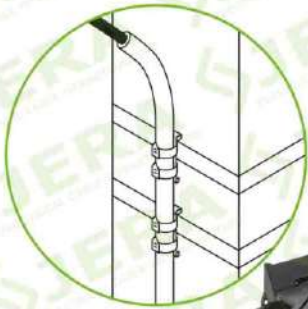
Wall mounting brackets and saddles were developed to be used with low voltage ABC cable during its installation on pole or wall on down lead routes of electrical cable lines.

Usually applied with four core self supporting ABC cables.

Accessories are made of UV resistant polymer, fully dielectric, and fixate the cable without damaging. Two nylon cable saddles help to attach a wider range of cable diameters.

Distance design allows withstand reliable loads without inducing of cable or its' slip and its damage, guarantee well outdoor usage.

Mounting saddles meet the criteria of key regional standards such as CENELEC, EN-50483-4, NF C 33-020, ROSSETI (CIS market).



DISTANCE CABLE BRACKET BIC

Product code	BIC (no ties)	BIC 15.50	BIC 50.95
Cable diameter, mm ²	—	15–50	50–95
Nylon tie width, mm	—	9	9
Nylon tie length, mm	—	260	360

Product information:

Distance cable bracket BIC, is intended to be used with low voltage ABC cable during its installation on pole or wall at service electrical lines. Bracket BIC used at down lead routes of electrical cable line with insulated 15–50 or 50–95 mm² cables of 4, 2 or 1 cores.

Distance cable bracket BIC is made of UV resistant polymer, fully dielectric, and fixate the cable without damaging.

Distance cable bracket BIC can be fasten to pole by stainless steel strap or stainless steel tie. In addition, by anchors or screws to wooden surface.

Distance cable bracket BIC allows withstand reliable loads without cable slip and its damage, guarantee well outdoor usage. Two nylon cable ties of different sizes, help to fixate a wider range of cable diameters.

Product analogs: BIC 15.50, BIC-50.90, AS-45.

WALL MOUNTED SADDLES BRPF

Product code	BRPF-40	BRPF-60
MBL, kN	2	2
Wall's distance, mm	40	60

Product information:

Cable saddle BRPF is used in top-down routes, of end use electrical connections. Recommended to be used in every 300 mm of pole length in order to fixate cable tightly.

Cable saddle BRPF is made of UV resistant polymer, fully dielectric, and fixate the cable without damaging.

Cable saddle BRPF is quick and easy to be installed. It's very durable and easy for installation mostly in street lightning and buildings. A nylon cable tie of different sizes, help to fixate a wider range of cable diameters.

Product analogs: BRPF.

PULLING TOOLS FOR CABLE LINE

Stringing overhead pulling tools were developed to be used with low voltage ABC cable in line construction. Pulling tools usually applied in installation of:

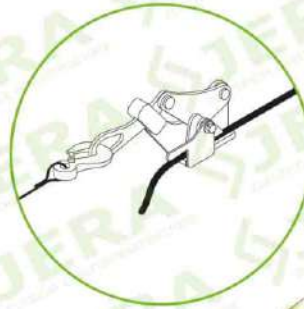
- self-supporting abc lines;
- insulated and bare messengers lines.

Such equipment have the access to pull conductors by manual or machine force. Pulling force converts to clamping force and easily allows pulling LV ABC cables.

Common installation set includes: overhead stringing block (pulley), come-along, stringing lever hoist, Overhead pulling cable grip, Swivel shackle, Separating wedges.

Simple design and durability allows withstand sufficient loads without cable slip or its damage.





STRINGING BLOCKS (PULLEY)

Product code	MT 26-50-30	MT 56-120-30
MBL, kN	20	21
Material	Nylon	Al
Weight, kg	1.5	1.7

Product information:

Overhead stringing block (pulley), is used for pulling of the insulated areal conductor or ropes.

Block made of galvanized steel metal part and plastic coated groove. Also pulley can be made of aluminum alloy with synthetic material groove.

Stringing block can be equipped with locking rope, fitted with a hand swiveling hook.

OVERHEAD COME-ALONGS

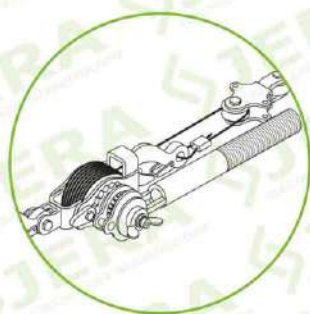
Product code	MC-19/29	MC-29/41
MBL, kN	10	20
Wall's distance, mm	16-50	70-120

Product information:

Stringing overhead come-along, is used for pulling conductors of LV ABC by manual or machine force.

Pulling force converts to clamping force and easily allows pulling LV ABC cables.

PULLING TOOLS FOR CABLE LINE



LEVER HOISTS

Product code		LH-15	LH-20
Pulling force, Ton	Without block	0.75	1.5
	With block	1.5	3
Cable size, mm		5.8	6.2
Cable Length, m	Without block	3	3.0
	With block	1.6	1.6

Product information:

Stringing lever hoist, is used for pulling conductors of a low voltage power to lifting loads by manual force, reverse can be use.

It is made of galvanized steel. This LV ABC mechanical winch can be used for all types of cable adjustments.

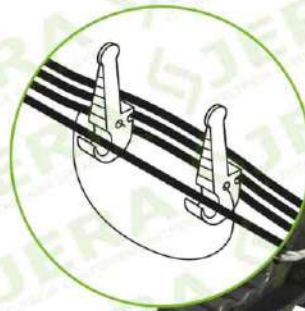
OVERHEAD PULLING SOCKS

Product code	S10	S12	S15
MBL, kN	10	12	15
Cable size, mm	5-10	10-14	14-24
Length, mm	300	600	600

Product information:

Overhead pulling cable grip is used for pulling of the insulated or bare areal conductor, for ropes, and cable with neutral messenger.

Overhead pulling cable grip are made of stainless steel or galvanized steel wires.



SWIVELS

Product code	SW-15		
MBL, kN	15		
Cable size, mm	12		
Dimensions, mm	A	12	D 29
	B	87	E 12
	C	33	F 113

Product information:

Swivel shackle is used with pulling socks to eliminate any twisting of conductor. Also it can be used to replace the old cable between winches.

This overhead swivel is used between two overhead pulling grips to replace an old conductor by a new one or between a pulling grip and the wire rope on the winch.

It prevents any twisting of the conductor.

SEPARATING WEDGES

Product code	SW31
Overhead Line Application	Main / end use connections, up to 1KV

Product information:

Separating wedges SW-31, designed to separate insulated service lines with 4 conductors of airdac cable, in LV ABC insulated overhead systems, up to 1 KV, from twisting.

Shape of wedge prevents it from slipping when working.

Separating wedges SW-31 is made of UV resistant polymer, fully dielectric, and fixate the cable without damaging.

INSULATED PIERCING CONNECTORS



Insulation piercing connectors were developed to use in low voltage ABC insulated overhead systems, on main or end use connections up to 1 KV.

Insulation piercing connectors are used to branch low voltage aerial bundled conductors, which applied on:

- self-supporting ABC lines;
- insulated and bare messenger lines.

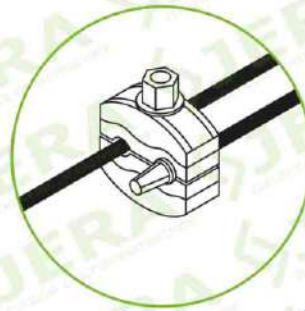
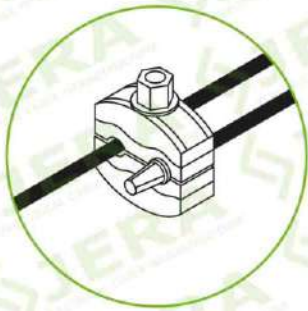
Insulation piercing connectors are waterproofed, very fast and easy in installation in service line system, street lightning for branching aluminum or copper conductors.

Connection is realized by piercing of insulation without stripping of cable insulation.

Insulation piercing connectors are made of weather, UV resistant and fiberglass reinforced polymer. The teeth of contact plates are made of tinned copper or aluminum. Hardware are made of stainless steel, galvanized steel materials.

As a one-piece format, it eliminates all the problems of dropping components while installation process.

All connectors meet the criteria of key regional standards such as CENELEC, EN-50483-4 Class A, NF C 33-020, ROSSETI (CIS market).



INSULATED PIERCING CONNECTOR ZOP-52

Product code	ZOP-52
Main line, mm²	16-150
Branch line, mm²	1.5-16
Tightening torque, N*m	11 (+/-2)
Overhead Line Application	End use connections, up to 1KV

Product information:

Insulation piercing connector ZOP-52 used with self-supporting ABC cables with insulated end use conductors, up to 1KV.

Insulation piercing connector ZOP-52 suitable for main or branch conductors with aluminum or copper wires, which are applied in overhead installation, during low voltage subscriber connective.

Insulation piercing connector ZOP-52 made of UV resistant thermoplastic, with high value of electrical strength, high strength aluminium alloy nut and stainless steel hardware.

This connector is very durable and easy for installation, does not require silicone lubricant, waterproofed.

Product analogs: SLIW52, TTD 051 FJ, P4, P 630.

INSULATED PIERCING CONNECTOR ZOP-54

Product code	ZOP-54
Main line, mm²	16-150
Branch line, mm²	6-50
Tightening torque, N*m	14 (+/-2)
Overhead Line Application	Main / end use connections, up to 1KV

Product information:

Insulation piercing connector ZOP-54 used with self-supporting ABC cables with insulated end use or main conductors, up to 1KV.

Insulation piercing connector ZOP-54 suitable for main or branch conductors with aluminum or copper wires, which are applied in overhead installation, during low voltage subscriber connective.

Insulation piercing connector ZOP-54 made of UV resistant thermoplastic, with high value of electrical strength, high strength aluminium alloy nut and stainless steel hardware.

This connector is very durable and easy for installation, does not require silicone lubricant, waterproofed.

Product analogs: SLIW54, NTD 151 AF, RDP 25/CN, N619.

SELF-SUPPORTING ABC BRANCHING



INSULATED PIERCING CONNECTOR ZOP-57

Product code	ZOP-57
Main line, mm²	25–150
Branch line, mm²	25–95
Tightening torque, N*m	16 (+/-2)
Overhead Line Application	Main / end use connections, up to 1 KV

Product information:

Insulation piercing connector ZOP-57 used with self-supporting ABC cables with insulated main end use or main conductors, up to 1 KV.

Insulation piercing connector ZOP-57 suitable for main or branch conductors with aluminum or copper wires, which are applied in overhead installation, during low voltage subscriber connective.

Insulation piercing connector ZOP-57 made of UV resistant thermoplastic, with high value of electrical strength, high strength aluminium alloy nut and stainless steel hardware.

This connector is very durable and easy for installation, does not require silicone lubricant, waterproofed.

Product analogs: SLIW57, P3X-95, P4X-150, TTD 151 FJ, TTD 171 FJ, P 640, OP-95, N 640, P 70.

INSULATED PIERCING CONNECTOR ZOP-58

Product code	ZOP-58
Main line, mm²	35–150
Branch line, mm²	35–150
Tightening torque, N*m	16 (+/-2)
Overhead Line Application	Main / end use connections, up to 1 KV

Product information:

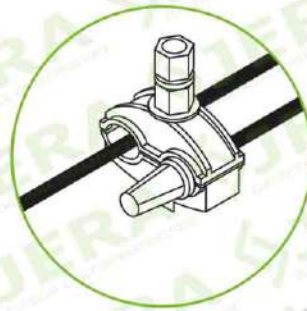
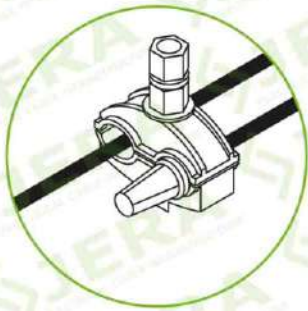
Insulation piercing connector ZOP-58 used with self-supporting ABC cables with insulated main end use or main conductors, up to 1 KV.

Insulation piercing connector ZOP-58 suitable for main or branch conductors with aluminum or copper wires, which are applied in overhead installation, during low voltage subscriber connective.

Insulation piercing connector ZOP-58 made of UV resistant thermoplastic, with high value of electrical strength, high strength aluminium alloy nut and stainless steel hardware.

This connector is very durable and easy for installation does not require silicone lubricant, waterproofed.

Product analogs: SLIW58, P3X-95, P4X-150, TTD 151 FJ, TTD 171 FJ, P 640, OP-95, N 640, P 70.



INSULATED PIERCING CONNECTOR P1X-95

Product code	P1X-95
Main line, mm²	16-95
Branch line, mm²	1.5-10
Tightening torque, N*m	10 (+/-2)
Overhead Line Application	End use connections, up to 1 KV

Product information:

Insulation piercing connector P1X-95 used with self-supporting ABC cables with insulated end use conductors, up to 1 KV.

Insulation piercing connector P1X-95 suitable for main or branch conductors with aluminum or copper wires, which are applied in overhead installation, during low voltage subscriber connective.

Insulation piercing connector P1X-95 made of UV resistant thermoplastic, with high value of electrical strength, high strength aluminium alloy nut and galvanized steel hardware.

This connector is very durable and easy for installation has silicone lubricant, waterproofed.

Product analogs: TTD 051 FJ, P4, P 630.

INSULATED PIERCING CONNECTOR ZOP-11

Product code	ZOP-11
Main line, mm²	16-95
Branch line, mm²	1.5-10
Tightening torque, N*m	10 (+/-2)
Overhead Line Application	End use connections, up to 1 KV, electricity meter

Product information:

Insulation piercing connector ZOP-11 used with self-supporting ABC cables with insulated end use conductors, up to 1 KV.

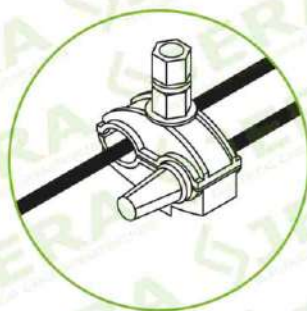
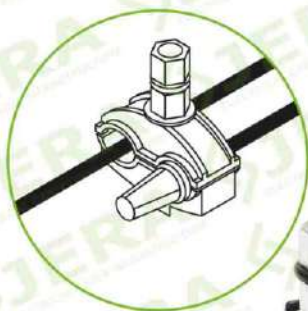
Insulation piercing connector ZOP-11 suitable for main or branch conductors with aluminum or copper wires, which are applied in overhead installation, during low voltage subscriber connective. ZOP-11 used with electricity meters application.

Insulation piercing connector ZOP-11 made of UV resistant thermoplastic, with high value of electrical strength, high strength aluminium alloy nut and galvanized steel hardware.

This connector is very durable and easy for installation has silicone lubricant, waterproofed.

Product analogs: SLIW111, TTD 051 FJ, P4, P 630.

SELF-SUPPORTING ABC BRANCHING



INSULATED PIERCING CONNECTORS P2X-95, P2X-150

Product code	P2X-95	P2X-150
Main line, mm ²	16-95	50-150
Branch line, mm ²	4-35	6-35
Tightening torque, N*m	13 (+/-2)	13 (+/-2)
Overhead Line Application	Main / end use connections, up to 1 KV	

Product information:

Insulation piercing connectors P2X-95, P2X-150 used with self-supporting ABC cables with insulated main use and end use conductors, up to 1 KV.

Insulation piercing connectors P2X-95, P2X-150 suitable for main or branch conductors with aluminum or copper wires, which are applied in overhead installation, during low voltage subscriber connective.

Insulation piercing connectors P2X-95, P2X-150 made of UV resistant thermoplastic, with high value of electrical strength, high strength aluminium alloy nut and galvanized steel hardware.

These connectors are very durable and easy for installation, has silicone lubricant, waterproof.

Product analogs: TTD 151 FJ, TTD 171 FJ, P 640.

INSULATED PIERCING CONNECTOR P3X-95, P4X-150

Product code	P3X-95	P4X-150
Main line, mm ²	25-95	35-150
Branch line, mm ²	25-95	35-150
Tightening torque, N*m	16 (+/-2)	18 (+/-2)
Overhead Line Application	Main / end use connections, up to 1 KV	

Product information:

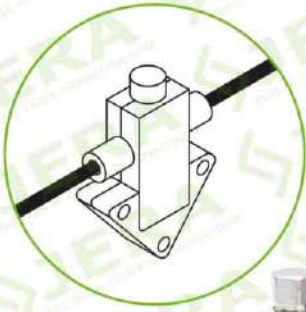
Insulation piercing connectors P3X-95, P4X-150 used with self-supporting ABC cables with insulated main use and end use conductors, up to 1 KV.

Insulation piercing connectors P3X-95, P4X-150 suitable for main or branch conductors with aluminum or copper wires, which are applied in overhead installation, during low voltage subscriber connective.

Insulation piercing connectors P3X-95, P4X-150 made of UV resistant thermoplastic, with high value of electrical strength, high strength aluminium alloy nut and galvanized steel hardware.

These connectors are very durable and easy for installation, has silicone lubricant, waterproof.

Product analogs: TTD-151-FJ, P-640, TTD 271 FJ, DZ6, P150.



INSULATED PIERCING CONNECTOR P1-71

Product code	P1-71 AL
Main line, mm²	35-95
Branch line, mm²	4-50
Tightening torque, N*m	10 (+/-2)
Overhead Line Application	Main / end use connections, up to 1KV

Product information:

Insulation piercing connector P1-71 used with self-supporting ABC cables with insulated main use and end use conductors, up to 1KV.

Insulation piercing connector P1-71 suitable for main or branch conductors with aluminum or copper wires, which are applied in overhead installation, during low voltage subscriber connective. This type of insulating piercing connector is very easy for repeated installation of branch lines form low voltage aerial cables, because it allows to be contacted with line by using a bolt.

The main line is deadily fixed in the connector by shear head bolt tightening control, which can insure all the needed pressure reaching by shearing off.

Insulation piercing connector P1-71 made of UV resistant thermoplastic, with high value of electrical strength, high strength aluminium alloy nut and galvanized steel hardware.

Connector is durable, easy for installation and waterproof.

BARE & INSULATED ABC BRANCHING



INSULATED PIERCING CONNECTOR ZOPN-95

Product code	ZOPN-95
Main line, mm²	16-95
Branch line, mm²	1.5-10
Tightening torque, N*m	10 (+/-2)
Overhead Line Application	End use connections, up to 1 KV

Product information:

Insulation piercing connector ZOPN-95 used with self-supporting ABC cables with insulated end use and bare main use conductors, up to 1 KV.

Insulation piercing connector ZOPN-95 suitable for main or branch conductors with aluminum or copper wires, which are applied in overhead installation, during low voltage subscriber connective.

Insulation piercing connector ZOPN-95 made of UV resistant thermoplastic with high value of electrical strength, high strength aluminium alloy nut and galvanized steel hardware.

Connector is very durable and easy for installation, piercing area is waterprotected.

Product analogs: NTD 151 AF, RDP 25/CN, N619.

INSULATED PIERCING CONNECTOR ZOPN-120

Product code	ZOPN-120
Main line, mm²	16-120
Branch line, mm²	16-35
Tightening torque, N*m	13 (+/-2)
Overhead Line Application	Main / End use connections, up to 1 KV

Product information:

Insulation piercing connector ZOPN-120 used with self-supporting ABC cables with insulated and bare main use / end use conductors, up to 1 KV.

Insulation piercing connector ZOPN-120 suitable for main or branch conductors with aluminum or copper wires, which are applied in overhead installation, during low voltage subscriber connective.

Insulation piercing connector ZOPN-120 made of UV resistant thermoplastic, with high value of electrical strength, high strength aluminium alloy nut and galvanized steel hardware.

Connector is very durable and easy for installation, piercing area is waterprotected.

Product analogs: NTD 151 AF, RDP 25/CN, N619.



CABLE END CAPS

Product code	MZ 4-50	MZ 25-150
Cable size, mm²	4-50	25-150

Product information:

Insulated end caps developed to be simply pushed over conductors during installation, to prevent the low voltage cable conductor system from short circuit in electrical distribution.

Insulated end caps are made of weather and UV resistant elastomeric polymer, with high value of electrical strength.

Insulated end caps conform to IPC and meet the criteria of key regional standards such as CENELEC, EN-50483-4 Class A, NF C 33-020, ROSSETI (CIS market).

Product analogs: CECT 6-35, CECT 16-150.

PARALLEL GROOVE CLAMPS



Parallel groove clamps (PG) or parallel groove connectors were developed to connect two self-supporting ABC cables.

We offer PG of two types of cable system:

- aluminium only based connections (bare aluminium, aluminium steel reinforced);
- copper only based connections, or bimetal connections (aluminium-copper).

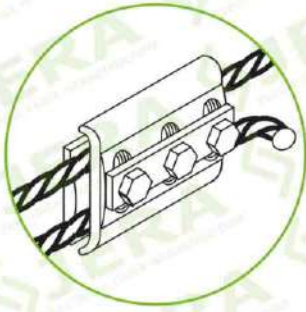
Parallel groove clamps (PG) are applied in low voltage cable lines, service line system, street lightning and buildings.

Parallel groove clamps are designed to prevent mechanical pullout of conductor, to resist corrosion and bimetallic electrochemical reactions. This achieved by special clamps shape, high strength corrosion resistant aluminum alloy materials, galvanized steel bolts, nuts and spring washers.

For copper based connections clamp is tin plated, to ensure electrical contact and decrease the contact resistance during application of different material bare conductors.

PG clamps meet the criteria of key regional standards such as CENELEC, EN-50483 Class A, NF C 33-020, ROSSETI (CIS market).

PARALLEL GROOVE CLAMPS



Product information:

Parallel groove clamp AL is designed to connect two parallel bare aluminum conductors in low voltage cable lines, service line system, street lightning and buildings.

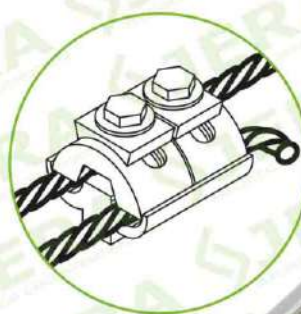
Parallel groove clamp AL are made of high strength corrosion resistant aluminum alloy, galvanized steel bolts, nuts and spring washers.



PARALLEL GROOVE CLAMP AL

Product code	AL-16-70-1	AL-16-150-2	AL-16-35-2	AL-16-70-2	AL-16-150-2	AL-25-185-2	AL-16-70-3	AL-16-150-3	AL-25-240-3	AL-35-300-3
Main line, mm²	16-70	16-150	16-35	16-70	16-150	25-185	16-70	16-150	25-240	35-300
Branch line, mm²	16-70	16-150	16-35	16-70	16-150	25-185	16-70	16-150	25-240	35-300
Bolts	1	1	2	2	2	2	3	3	3	3
Cables for Connection	Aluminium to aluminium									

PARALLEL GROOVE CLAMPS



PARALLEL GROOVE CLAMP AL-16-120

Product code	AL 16-120	AL 16-120T
Main line, mm²	AL 16-120	AL(CU) 16-120
Branch line, mm²	AL 16-70	AL (CU) 16-120
Bolts	1	1
Cables for Connection	Aluminium to aluminium	Copper to aluminium, copper to copper

Product information:

Parallel groove clamp AL-16-120 designed to connect two parallel bare aluminum, or bare copper conductors or aluminum to copper conductors in low voltage cable lines, service line system, street lightning and buildings.

Following parallel groove connectors are made of high strength corrosion resistant extruded aluminum alloy, galvanized steel bolt, nut, spring washer.

Parallel groove clamp AL-16-120T covered by tin, in order to have contact with both copper and aluminum conductors.

PARALLEL GROOVE CLAMP AL-16-120-2S

Product code	AL 16-120-2S	AL 16-120-2ST
Main line, mm²	AL 16-120	AL(CU) 16-120
Branch line, mm²	AL 16-70	AL (CU) 16-120
Bolts	2	2
Cables for Connection	Aluminium to aluminium	Copper to aluminium, copper to copper

Product information:

Parallel groove clamp AL-16-120-2S designed to connect two parallel bare aluminum, or bare copper conductors or aluminum to copper conductors in low voltage cable lines, service line system, street lightning and buildings.

Following parallel groove connectors are made of high strength corrosion resistant extruded aluminum alloy, galvanized steel bolts, nuts, spring washers.

Parallel groove clamp AL-16-120-2ST covered by tin, in order to have contact with both copper and aluminum conductors.

CABLE LUGS & CONNECTORS



The low voltage cable lugs are used for cable conductors on the electrical lines of 1 KV.

Cable lugs are suitable for aluminum and copper cables, stranded shaped, circular, and solid cables. The area of application is wide starting from overhead lines and finishing by buildings and underground electrical distribution networks.

We offer the following types of cable lug:

- shear head bolted cable lugs, CLB (V);
- shear head bolted cable lugs, CLB;
- pre-insulated cable lugs, ICL;
- pre-insulated bimetal cable lugs, CPTAU.

The most common sizes of cable lugs are 4 to 300 mm², such range allow us to offer you most completed product range for wide range of cables.

We produce shear head cable lugs from high strength, corrosion resistant aluminum materials. Cable jointing process does not require the specialized compression tool.

Pre-insulated cable lugs we produce by bimetallic welding technology, from copper and aluminum rods. Insulated by UV resistant plastic, cable jointing realized by compression tool.

Inner jointing grease guarantee sustainable electrical contact.



SHEAR HEAD BOLTED CABLE LUGS, CLB (V)

Product code	CLB 10-25	CLBV 25-50	CLBV 70-120	CLBV 150-240
Cable size, mm ²	10-25	25-50	70-120	150-240
Torque, N·m	10	12	40	45/50
Number of bolts	1	2	2	2
Overhead Line Application	Main / end use connections, up to 1KV			

Product information:

Shear head bolted cable lug CLBV use on electrical distribution lines up to 1 kV.

Bolted lugs are suitable for aluminum and copper cables, stranded shaped, circular, and solid cables. The area of application is wide starting from overhead lines and finishing by buildings and underground electrical distribution networks.

V-shaped shear bolt position in connector, guarantee free access for tightening of bolts, and provide reliable clamping of cable.

Cable jointing process does not require the specialized compression tool. All the needed tension torque achieved using simple hex key, which tighten the bolt. The shear bolt of cable termination has indicated shear torque, and shears off when needed torque reached.

SHEAR HEAD BOLTED CABLE LUGS, CLB

Product code	CLB 4-35	CLB 35-150	CLB 120-300
Cable size, mm ²	4-35	35-150	120-300
Torque, N·m	08/10	30/33	38/40
Number of bolts	1	1	2
Overhead Line Application	Main / end use connections, up to 1KV		

Product information:

Shear head bolted cable lug CLB use on electrical distribution lines up to 1 kV.

Bolted lugs are suitable for aluminum and copper cables, stranded shaped, circular, and solid cables. The area of application is wide starting from overhead lines and finishing by buildings and underground electrical distribution networks. CLB series of cable lugs can be tinned covered on order to apply on copper conductors.

Cable jointing process does not require the specialized compression tool. All the needed tension torque achieved using simple hex key, which tighten the bolt. The shear bolt of cable termination has indicated shear torque, and shears off when needed torque reached.

Inner jointing grease guarantee sustainable electrical contact.



PRE-INSULATED CABLE LUGS, ICL

Product code	ICL-35	ICL-50	ICL-95	ICL-150	ICL-240
Cable size, mm ²	1,5-35	16-50	50-95	95-150	150-240
Number of bolts	1	1	1	2	2
Overhead Line Application	Main / End use connections, up to 1 KV				

PRE-INSULATED BIMETAL CABLE LUGS, CPTAU

Product code	CPTAU 16	CPTAU 25	CPTAU 35	CPTAU 50	CPTAU 70	CPTAU 95
Dimensions, C mm						
B	20	20	24	24	24	24
A	10.5	10.5	13	13	13	13
Length, mm L	73	73	98.5	98.5	98.5	98.5

Product information:

Waterproof, insulated cable lugs with shearhead bolts, are used to attach LV ABC cable to electrical devices or equipments in electrical distribution on the base of self-supporting cable system, up to 1 KV. ICL are suitable for aluminum and copper cables.

Cable jointing process does not require the specialized compression tool. All the needed tension torque achieved using simple hex key, which tighten the bolt. The shear bolt of cable termination has indicated shear torque, and shears off when needed torque reached.

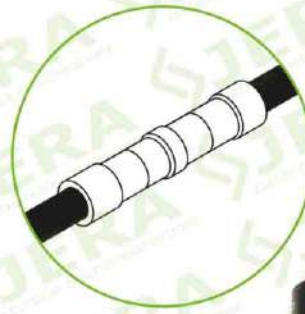
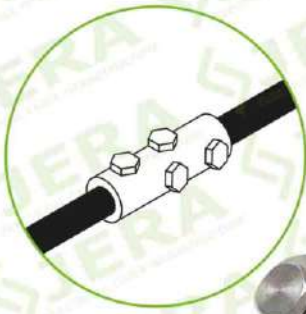
ICL made of aluminum tinned covered, filled by lubricate. Insulation body of lug is made of weather and electrical resistant plastic, this prevent the connection from short circuits. Each ICL marked by color cap according to applicable size.

Four models of ICL replace the traditional, eight models of compressed bimetal cable lugs, CPTAU. ICL cable lugs do not require the heating lamp, or shrink tube to insulate the connection.

Product information:

Work of electrical contact Waterproof pre-insulated compression bimetal lugs are used to attach LV ABC cable to electrical devices or equipments in electrical distribution on the base of self-supporting cable system, up to 1 KV. Pre-insulated lugs (CPTAU) are suitable for aluminum and copper cables, stranded shaped, circular, and solid cables.

Work of electrical contact achieved by crimping process, when the specified sized cable was stripped and inserted up to the end of lug. Pre-insulated lugs (CPTAU) have bimetallic structure: inner part is made of copper, sleeve is made of aluminum. Copper part (palm) can be tinned according to request. Inner aluminum palm filled with lubricate. Insulation body of lug is made of weather and UV resistant plastic. Each pre-insulated bimetal lug marked by letters and color cap according to applicable size.



SHEAR HEAD BOLTED CABLE CONNECTORS, CCB (V)

Product code	CCB 10-25	CCBV 25-50	CCBV 70-120	CCBV 150-240
Cable size, mm ²	10-25	25-50	70-120	150-240
Torque, N*m	10	12	40	45/50
Number of bolts	2	4	4	4
Overhead Line Application	Main / end use connections, up to 1 KV			

Product information:

Shear head bolted cable connector CCBV use on electrical distribution lines up to 1 kV.

Bolted connectors are suitable for aluminum and copper cables, stranded shaped, circular, and solid cables. The area of application is wide starting from overhead lines and finishing by buildings and underground electrical distribution networks.

V-shaped shear bolt position in connector, guarantee free access for tightening of bolts, and provide reliable clamping of cable.

Cable jointing process does not require the specialized compression tool. All the needed tension torque achieved using simple hex key, which tighten the bolt. The shear bolt of cable termination has indicated shear torque, and shears off when needed torque reached.

Inner jointing grease guarantee sustainable electrical contact.

PRE-INSULATED BIMETAL CABLE CONNECTOR, MJPT

Product code	MJPT 16/16	MJPT 25/25	MJPT 35/35	MJPT 50/50	MJPT 70/70	MJPT 95/95
Cable Size, mm ²	A 16	25	35	50	70	95
	B 16	16	35	50	70	95
Plastic Sleeve Diameter, mm	C 20	20	20	20	20	20
Length, mm	L 98.5	98.5	98.5	98.5	98.5	98.5

Product information:

Waterproof pre-insulated compression connectors MJPT, are used to joint LV ABC cables in electrical distribution on the basis of self-supporting cable system.

Pre-Insulated connectors MJPT are applicable for insulated aluminum conductors in installation of service line system, street lightning, buildings. Work of electrical contact achieved by crimping process, when the specified sized cables were stripped and inserted up to the end from each side of connector.

MJPT connectors's sleeve is made of aluminum, which filled with lubricate. Insulation body of connector is made of weather and UV resistant plastic.

Each pre-insulated sleeve marked by letters and color cap according to applicable size.

FUSE HOLDERS



2-10A FUSE HOLDER, GURO

Product code	GURO-B
Main cable size, mm ²	4
Branch cable size, mm ²	4
Current loads (A)	2, 4, 6, 10

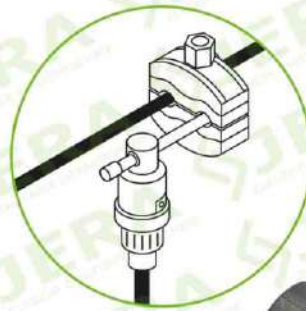
Product information:

Fuse holder, GURO-B, is applicable for LV ABC lines with insulated conductors, suitable for insulated aluminum conductors in installation of service line system, street lightning, buildings, up to 1 KV. Used in limited spaces of supports of street (external) lighting for protection of power circuits of lamps (lamps) at overloads and short circuits.

Fuse holders are applicable for LV ABC lines with insulated conductors, suitable for insulated aluminum conductors in installation of service line system, street lightning, buildings, up to 1 KV.

The fuse can be installed on service line and allows disconnection under load up to 63 A. Fuse cartridges from 2 to 63 A. Connector is made of weather and UV resistant plastic, waterproofed.

All accessories meet the criteria of key regional standards such as CENELEC, EN-50483-4 Class A, NF C 33-020, NFC 63-210, ROSSETI (CIS market).



2-63A FUSE HOLDER, CCFBD

Product code	CCFBD-16-16	CCFBD 16-25	CCFBD 25-25
Cable Size, mm ²	A	16	25
	B	16	25
Plastic Sleeve diameter, mm	C	20	20

Product information:

Fuse holder CCFBD used to prevent the circuit break on LV ABC lines, up to 1 KV. Connection and disconnection happened under current load up to 63A.

Fuse holder CCFBD is made of aluminum, which filled with lubricate. Insulation body of connector is made of weather and UV resistant plastic, waterproffed.

2-63A FUSE HOLDER, DCPAE

Product code	DCPAE
Main cable size, mm ²	25
Branch cable size, mm ²	2.5-16
Maximum load (A)	63
Nominal voltage (V)	500

Product information:

Fuse holder DCPAE is applicable for LV ABC lines with insulated conductors, suitable for insulated aluminum conductors in installation of service line system, street lightning, buildings, up to 1 KV. Can be installed on service line and allows disconnection under load up to 63 A. Fuse cartridges from 2 to 63A.

Fuse holder DCPAE is of separable design, which includes the housing, spring and contact elements.

Connection to the main line is carried out using a piercing connector. Work of electrical contact achieved by compression the conductor wire in the socket with copper cup.

Fuse holder DCPAE is made of aluminum, which filled with lubricate. Insulation body of connector is made of weather and UV resistant plastic.

EARTHING ACCESSORIES

Earthing equipment was developed to prevent the low voltage cable system from short circuit in electrical distribution. This equipment helps to make all the low voltage insulated overhead line be safe and secure. Earthing equipment for LV ABC includes:

- earthing adaptor;
- insulated earthing bracket;
- surge arrester.

Earthing accessories can be supplied with insulated piercing connector (IPC).

All accessories meet the criteria of key regional standards such as CENELEC, EN-50483-4 Class A, NF C 33-020, ROSSETI (CIS market).



EARTHING ADAPTOR, PMCC

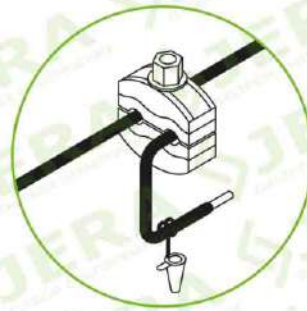
Product code	PMCC
Insulated conductor cross section, mm ²	25
Rod length, mm	11
Diameter, mm	9
Short circuit currents up to, kA/s	4

Product information:

Low voltage earthing adaptor, PMCC is installed on the branch conductor of an insulation piercing connector. Also on the ends of LV ABC line.

The insulating cover can be removed for access to the inside brass rod. The connection to earth is done by insulated earthing equipment. Can be completed with insulation piercing connector.

Low voltage earthing adaptor, PMCC is very durable and easy for installation mostly in street lightning and buildings. Quality of this low voltage accessories was proven by our customers.



SURGE ARRESTER, LVA-260

Product code	LVA-260
Continuous voltage, V	280
Nominal discharge current, kA	10
Maximum discharge current (I_{max}), kA	40
Residual voltage at in (Impulse 8/20 μs), kV	1.2

Product information:

Surge arrester, LVA-260 is applicable for LV ABC lines with insulated conductors, suitable for insulated aluminum conductors in installation of service line system, street lightning and buildings.

Connection to the main line is carried out using a piercing connector. Work of electrical contact achieved by compression the conductor wire in the socket with copper cup.

INSULATED EARTHING BRACKET, C200

Product code	C200
Size, mm²	10
Material to, kA/s	copper

Product information:

Insulated earthing bracket, C200 is used together with the insulated piercing clamp, to prevent short-circuit when performing installation of LV ABC lines.

Diameter of bracket is 6 mm allows assembling with insulated piercing connectors.

Insulated earthing bracket, C200 is very durable and easy for installation mostly in street lightning and buildings. Quality of this LV ABC fitting was proven by our customers.

CONTACT US



Phone (Sales) 0574-58226131, 0574-58225537

Fax (Sales) 0574-58225539

E-mail info@jera-energy.com

Web jera-energy.com

Address Yuyao, Zhejiang province, China



