

△ 本手册由安煌电力科技有限公司印制，仅用于说明本系列产品的关键信息。安煌电力随时可能因技术升级或采用新的生产工艺而改进本手册相关内容，或对本手册的印刷错误及不准确的信息进行必要的改进和更改，如恕不另行通知。商家订货时请随时联系本公司，以证实相关信息。

♻️ 采用环保纸印刷 Use of environmentally friendly printing paper



**ANHUNG** 安煌电力科技有限公司  
ANHUANG ELECTRIC POWER TECHNOLOGY CO.,LTD.

地址：浙江省乐清市经济开发区纬十一路81号

电话：0577-61581666

传真：0577-61758729

邮箱：584126666@qq.com

网址：www.anhelec.com



微信公众号

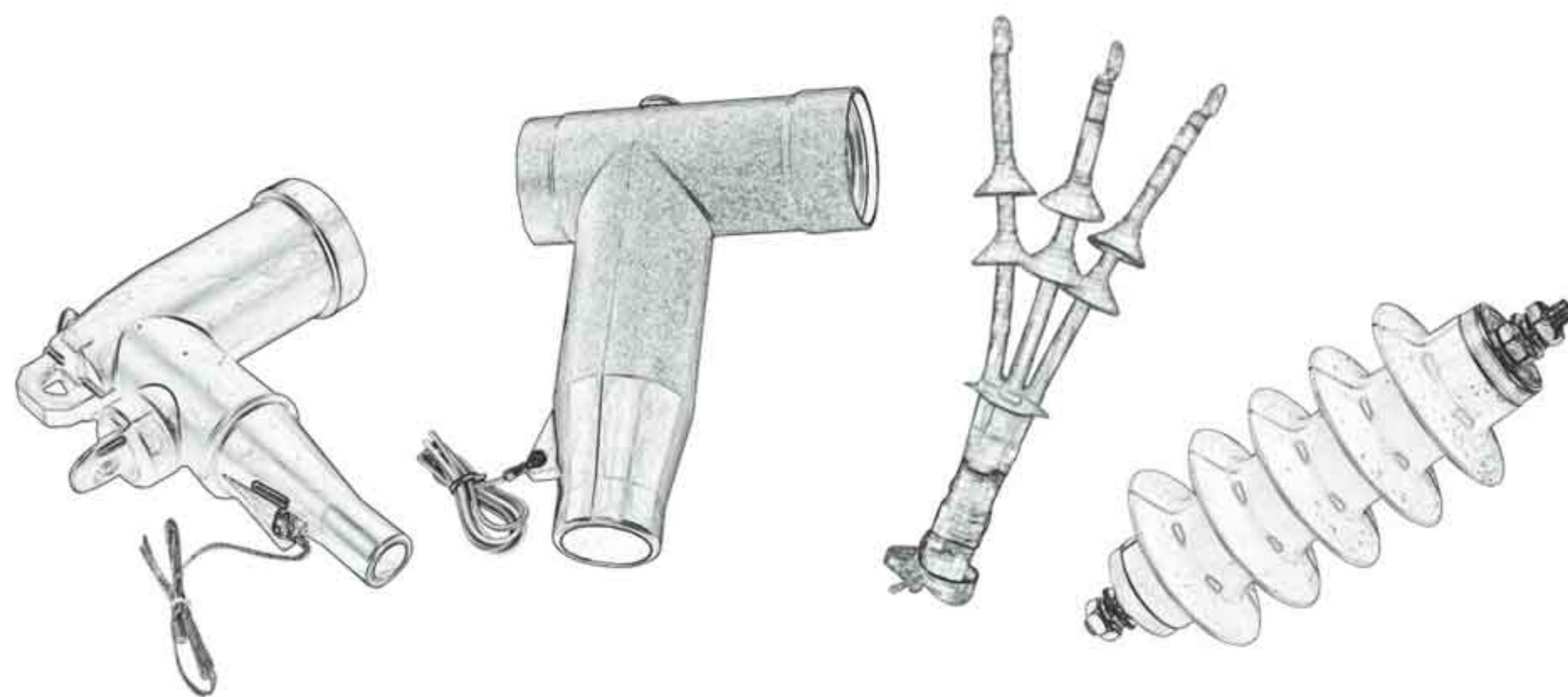
ANHUNG  
安煌电力

安煌电力科技有限公司

产品选型手册

**ANHUNG**<sup>®</sup>  
安煌电力

安煌  
电力  
产品选型手册  
Product Guide



**安煌电力科技有限公司**  
ANHUANG ELECTRIC POWER TECHNOLOGY CO.,LTD.



安全电力、百业辉煌  
SAFETY OF POWER, HUNDREDS OF BRILLIANT

## 绿色畅享 超越期待

ENJOY GREEN EXCEED EXPECTATION

“与环境共生”的绿色制造理念  
已被写进安煌的品牌血脉  
融入企业发展的每一根毛细血管  
超强动力、超高效率、超净排放  
安煌电力，让高端制造大有可为

The green manufacturing concept  
“Harmony with Environment”  
has been written into the ANHUANG brand blood,  
and has been integrated into the each capillary  
of enterprise development  
Super power, super-high efficiency,  
super-clean emissions  
ANHUANG makes high-end manufacturing promising



## 关于安煌

安煌电力科技有限公司是一家集设计、研发、生产、应用和服务于一体的高新技术企业。公司座落在国家著名旅游胜地—雁荡山南麓被誉为“中国电器之都”—浙江省乐清市经济开发区。公司地理环境优美，交通极为便利；与104国道和甬台温高速息息相通；距温州永强机场40公里，水陆空交通极为便捷，是理想置业之地。

公司不断引进新技术、新工艺，产品结构不断完善；本着“务实、创新、高效、共赢”的精神，以诚信为本，竭诚为用户提供更优质的产品和全方位服务。

公司生产“高效、精确、可靠、节能、环保”等高压系列产品；其主要产品有10KV-35KV欧式电缆附件、美式电缆附件、预装式变电站配件、冷缩电缆附件、氧化锌避雷器、三相组合过电压保护器、电缆分接箱、环网柜等。产品广泛应用于冶金、石化、电力、建筑、市政、环保、国防、水利工程等行业。

专业的生产检测设备、特殊的生产工艺，专业化的高素质职工队伍和快速完善的售后服务为每个用户打造一流的个性化产品提供有力保障。公司产品通过了电力工业电气设备质量检验测试中心、西安高压电器研究院有限责任公司的检测，并先后取得中国质量认证中心的“CQC”产品认证证书并通过ISO9001:2000国际质量管理体系认证。

公司秉承“安全电力 百业辉煌”的企业人文理念。愿与您一起携手打造中国绿色工业电力！

## COMPANY PROFILE

ANHUANG is a modern company of professional design and manufacturer of 3.6kV to 40.5kV Medium Voltage cable accessories, electric components and whole set cabinet. Subsidiaries: Anhuang Electric Power Technology Co., Ltd. Zhejiang Anhuang Imp. & Exp. Co., Ltd. We provide high quality, low cost products for utility systems worldwide.

Company constantly introducing new technology, new craft, the product structure constantly improved. Our professional production testing equipment, special production technology, and professional service team can satisfy the customers' demand.

Our professional engineers, technicians and managers team always keep our promise: ANHUANG is not only provide cost-effective high quality products, but also provide high quality, efficient, fast service and technical support to ensure customers' require.

Our company obtained international quality management system certification for ISO9001, ISO14001, OHSAS18001.

Our company adhering to the "safety electricity, forever brilliant" as our enterprise's humanism. Willing to work with you hand in hand to build better future.

## PRODUCTION & QUALITY MANAGEMENT

### 生产、品质管理

## STRENGTH COMES FROM COHESION

### 力量来自于凝聚

卓越的品质、完善的管理和一流的服务是安煌人永无止境的追求!

Excellent quality, perfect management and first-class service is endless pursuit of adult!

品质保证不能仅依靠产品的检验,安煌始终严格实施“全面质量管理,强化细节完美追求”的质量方针,以保障实现安煌质量目标——为用户提供 100% 合格的产品与满意的服务。

Quality assurance can not only rely on product inspection, **ANHUNG®** is always strict implement quality policy of "comprehensive quality management, strengthen the details of pursuing the perfect" to guarantee the realization of quality target of **ANHUNG®** -- to provide 100% qualified products and satisfactory service to customers.



# SUPPLY QUALIFICATION

## ■ 供应资格

取得产品的资质证书，仅是市场准入、供应资格的基础。安煌本着服务、合作、责任、共赢的市场价值观，多年来与国内外用户建立了良好的合作关系，并为众多项目提供全面的产品解决方案和服务。

安煌——您值得与之合作的杰出伙伴！

Obtained qualification certificates of products are only the basis of market access and supply qualification. **Anhuang** in line with market values of service, responsibility, cooperation, double win, over the years we have established a good cooperative relationship with users at domestic and abroad, and provided comprehensive product solutions and services for numerous projects.

**Anhuang** -- An outstanding partner who is worth to cooperate!



## A 200A电缆附件

200A 系列电缆附件执行标准 200A Series Cable Accessories Executive Standards	02
AZT-15/200A 15kV 肘型电缆接头 AZT-15/200 15kV 200A Loadbreak Elbow Connector	03-04
AZT-25/200A 肘型电缆接头 AZT-25/200A Loadbreak Elbow Connector	05-06
A DTT-15/200A 15kV 单通套管接头 A DTT-15/200A 15kVBushing Insert	07-08
A DTT-25/200A 25kV 单通套管接头 A DTT-25/200A 25kVBushing Insert	09-10
A STT-15/200A 15kV 200A 双通套管接头 A STT-15/200A 15kV 200A Rotatable Feedthru Insert	11-12
A STT-25/20A 25kV 200A 双通套管接头 A STT-25/200 25kV 200A Rotatable Feedthru Insert	13-14
A TGZ-□/200A 15kV/25k 200A 套管座 A TGZ-□/200 15kV/24kV 200A Bushing Well	15
A BLD-17□ 肘型避雷器 A BLD-17□ Elbow Surge Arrester	16
A BLQ-34/7 25kV 肘型避雷器 AH BLQ-34/7 25kV Elbow Surge Arrester	17
A DTBLQ-17/5 17/50kV 单通避雷器 A DTBLQ-17/50 17/50kV Surge Arrester Insert	18
A DBG-15/200A 15kV 200A 单通壁挂 A DBG-15/200 15kV 200A Parking Bushing	19
200A 15kV 接地肘头 Grounding Elbow	20
A MP□-15kV 200A 母排 A MP□-15kV 200A Loadbreak junctions	21-22
A JCTGZ-15/20 15kV 200A 加长套管座 A JCTGZ-15/200 15kV 200A Insulaed Bushing Extender	23
A JYM-25/200 25kV 200A 绝缘帽 A JYM-25/200 25kV 200A Insulated Protective Cap	24
200 电缆附件应用示例 200A Application of cable accessories	25-26
美式200A 系列连接图 American Type 200A Series Connecion Diagram	27
<b>B 预装式变电站配件</b>	
ABFY3I-15/630A 浸式二位置负荷开关 ABFY3I-15/630A Two-position Sidewall Switch	29-31
25kV预装式配件 Prefabricated Substation Accessories	32
A PRNT□-15.5 插入式熔断器 A PRNT□-15.5 Bay-O-Net Assembly	33
A SMRS 双敏熔丝 A SMRS Dual Sensing Fuse Wire	34
XRNT5-□/15.5 限流后备保护熔断器 XRNT5-□/15.5 Magne X Interrupter	35
A GZ-1 故障指示器 A GZ-1 Fault Circuit Indicator	36

A SJWL-SGFI/P Pane 面板型故障指示器 A SJWL-SGFI/P Pane Type Fault Indicator	37
架空型二合一故障指示器 Overhead in Fault Indicator	38
A DXN 带电指示器 AH DXN Hot Line Voltage Indicator	39
预装式变电站配件 Prefabricated substation accessories	40-41
<b>C 250A 电缆附件</b>	
250A 系列电缆附件执行标准 250A Series Cable Accessories Executive Standards	43
A TGZ-25/250 25kV 250A 套管座 A TGZ-25/250 25kV 250A Apparatus Bushing	44
A JCTGZ-25/250 25kV 250A 加长套管座 A JCTGZ-25/250 25kV 250A Lengthen Apparatus Bushing	45
A ZT-25/250 25kV 250A 肘型电缆接头 A ZT-25/250 25kV 250A Loadbreak Elbow Connector	46-48
A ZTS-25/250 25kV 250A 直通式电缆接头 A ZTS-25/250 25kV 250A Straight Connector	49-51
A JCTGZ-25/400 25k 400A 加长套管座 A JCTGZ-25/400 24kV 400A Lengthen Apparatus Bushing	52
A TGZ-25/400 24kV 400A 套管座 A TGZ-25/400 24kV 400A Apparatus Bushing	53
25kV 250A 电缆附件应用示例 25kV 250A Application of cable accessories	54-55
<b>D 600A系列电缆附件</b>	
600A 系列电缆附件执行标准 600A Series Cable Accessories Executive Standards	58
A TT-□/600 15kV/25kV 600A T型电缆接头 A TT-□/600 15kV/25kV 600A T Deadbreak Connector	59-60
A T II T-□/600 15kV/25kV 600A T II型电缆接头 A TII T-□/600 15kV/25kV 600A Deadbreak Tee Tap Connector	61
A TTL-15kV/25kV 600A T头连接器 A TTL-15kV/25kV 600 Deadbreak T Connector	62
A ZHT-15kV 600/200A 负荷转换头 AH ZHT-15kV 600/200A Integral Deadbreak Bushing	63
A YCG-15kV/25kV 600A 延伸管 A YCG-15kV/25kV 600A Class Bushing Extender	64
A JYM-□/600 15kV/25kV 600A 绝缘帽 AH JYM-□ /600 15kV/25kV 600A Insulated Protective Cap	65
A JCTG-15kV 600A 美式一体式套管 A JCTG-15kV 600A Integral Dead break Bushing	66
A MP□-15/25kV 600A 母排 A MP□-15/25kV 600A Busbar	67-68
A YMP□-15kV/200A/600A 异形母排 A YMP□-15kV/200A/600A Shaped busbar	69-70
A HMP□-15kV/600A/□-200A/□ 混合母排 A HMP□-15kV/600A/□/□-200A/□ Mixed busbars	71
15kV 600A 电缆附件应用示例 15kV 600A Application of cable accessories	72-73

美式600A+200A 系列连接图 American Type 600A+200A Series Connection Diagram	74
<b>E 630A系列电缆附件</b>	
630A 系列电缆附件执行标准 630A Series Of Cable Accessories Implementation Standards	76
AQJ-15/630A 欧式前接头 AQJ-15/630A European front connector	77-79
A HJ-15/630A 电缆后接头 A HJ-12/630A Deadbreak T Rear Connector	80-82
A HBLQ-17/50后接避雷器 A HBLQ-17/50 Deadbreak T Rear arrester	83
A HBLQ-35/78 24kV后接避雷器 HBLQ-35/78 24kV Deadbreak T Rear arrester	84
A JYM-□/630 15kV/24kV 630A 绝缘帽 A JYM-□/630 15kV/24kV 630A Insulated Protective Cap	85
A PZT-15/200A PT肘型电缆接头 A AZT-15/200A Elbow connector	86
屏蔽型PT连接套件 Shielded PT Connection Kit	87
线夹式顶扩母线连接器 PLUS switchgear used to connect the bus	88-89
柔性顶扩母线连接器 Busbar Connection	90
开关柜用内锥形母线连接器 Inboard tapered busbar connector for switchgear	91
ASYGZ-12(24)/630A开关柜试验终端 Test Terminal 12(24)/630A	92
A YMP□-15kV 630A 异形母排 A YMP□-15kV 630A Specific Junction	93
15kV630A π型电缆前接头 A 15kV 630A π Type touchable front connector	94
AQJ-35/630A T型电缆前接头 A TT-35kV 630A T Cable Connector	95-96
AHJ-35/630A 35kV电缆后接头 AHJ-35/630A 35kVDeadbreak T Rear Connector	97-98
AHBLQ-51/134 35kV屏蔽型后接避雷器 A HBLQ-51/134 35kV Shielded T rear Surge Arrester	99
A DJTG-12/24/kV 630A 对接套管 A DJTG-12/24kV 630A Deadbreak Type Junction	100
A TGZ-12/25kV 630A 充气柜套管座 A TGZ-12/25kV 630A Air Bushing	101
A DTGZ-12/25kV 630A 单通套管座 A DTGZ-12/25kV 630A Single Pass Sleeve Seat	102
630A一出二套管 630A Two-Point bushing	103
A DJTG-35kV 630A 对接套管 A DJTG-35kV 630A Two-Side Bushing	104
630A 电缆附件应用示例 630A Application of cable accessories	105-107

欧式连接图 Euroean Type series Connection Diagram	108
<b>F 冷缩电缆附件</b>	
冷缩电缆附件 Cold Shrink Cable Accessories	109-121
<b>G 热缩电缆附件</b>	
热缩电缆附件 Heat Shrinkable Cable Accessories	122-135
<b>H 氧化锌避雷器</b>	
氧化锌避雷器 Zinc Oxide Arresters	136-155

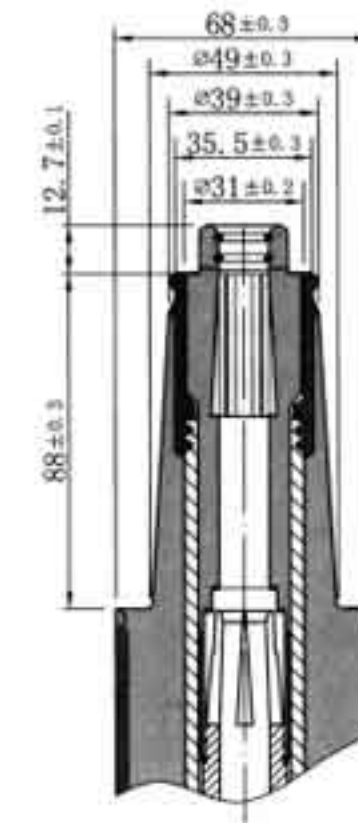
# 细致专业

成为国内最专注最完善  
最值得信赖的电力附件制造企业  
Become the most dedicated most perfect  
The most trusted manufacturer of power attachments

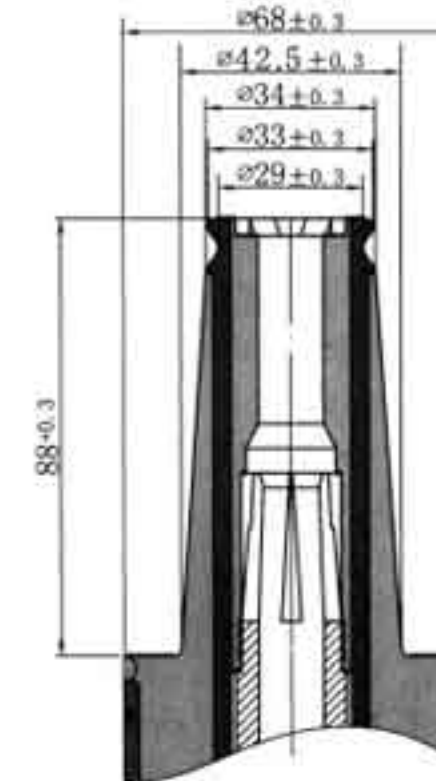


## A 15kV/25kV 200A 系列电缆附件

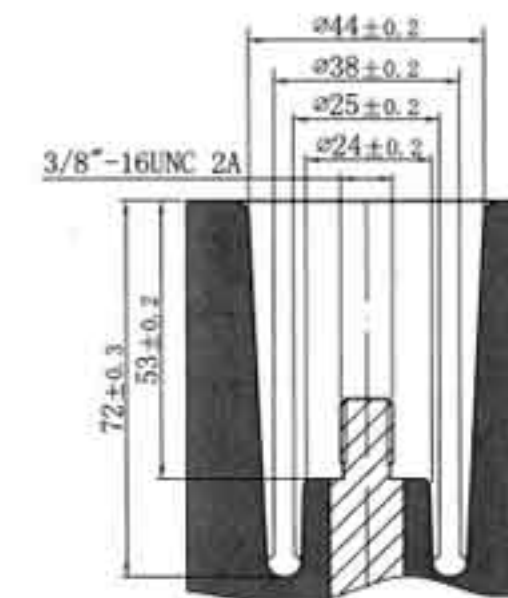
### 15KV/25KV 200A SERIES OF CABLE ACCESSORIES



15kV 标准插拔接口符合IEEE386标准  
15kV Interface Dimensions  
According to IEEE386 (in mm)



25kV 标准插拔接口符合IEEE386标准  
25kV Interface Dimensions  
According to IEEE386 (in mm)



200A 标准设备接口符合IEEE386标准  
200A Interface Dimensions  
According to IEEE386 (in mm)

- ANSIIEEE std386-2006600V以上配电系统用可分离绝缘连接器系统;
- ANSIIEEE592-1990高压电缆接头和可分离绝缘连接器的外露半导体护套;
- IEC60502额定电压1kV(Um=1.2kV)以上至30kV(Um=35kV)挤出绝缘电力电缆及其附件;
- IEC61442额定电压6kV(Um=7.2kV)至30kV(Um=35kV)电力电缆附件试验方法;
- GB/T12706-2008额定电压1kV(Um=1.2kV)至35kV(Um=40.5kV)挤出绝缘电力电缆及其附件;
- GB311.1.2012高压输电设备的绝缘配合;
- GB/T4109-1999高压套管技术条件;
- GB11032-2010交流无间隙金属氧化避雷器;
- DIN47636-7-1990带有伸出锥体的电力电缆可分附件套, Um在35kV以下套管和可分连接件装置尺寸。

- ANSIIEEE std386-2006600V above the distribution system with a separable insulated connector system;
- ANSI IEEE592-1990 Exposed sem iconduct or sheath for high voltage cable splices and separable insulated connectors;
- IEC60502 Extruded insulated power cables with rated voltages from 1 kV (Um = 1.2 kV) to 30 kV (Um = 35 kV) and annex;
- IEC61442 Test methods for accessories for power cables with rated voltages from 6kV (Um = 7.2kV) to 30kV (Um = 35kV);
- GB/T12706-2008 Rated voltage 1kV (Um = 1.2kV) to 35kV (Um = 40.5kV) Extruded insulated power cable and its annex;
- GB311.1.2012 high-voltage power transmission and distriubtion equipment with the insulation;
- GB / T4109-1999high-voltage casing technical conditions;
- GB11032-2010 AC free-gap metal oxide surge arresters;
- DIN47636-7-1990 Power cable with extension cone can be divided into sets of accessories, Um casing and can be divided into 35kV Dimensions of connect or assemblies.

#### 电压特性 Continuou voltag ratings

项目 Item	15kV参数 Parameter	25kV参数 Parameter	35kV参数 Parameter
额定电压 Continuous operating voltage	8.7kV/14.4kV	15.2kV/26.3kV	26kV/35kV
工频耐压 AC withstand voltage	45kV/1min	55kV/5min	117kV/5min
直流耐压 DC withstand voltage	53kV/15min	78kV/15min	104kV
雷电冲击耐压 1.5/50 μs Impulse with stand voltage	95kV	125kV	215kV
局部放电电压<10PC Partial discharge voltage	15kV	22kV	45kV

#### 电流性能 Curren rating

项目 Item	200AMP	600AMP
负荷操作电流 Load operating current	可在14.4kV、200A下进行10次开断与闭合操作 Available in 14.4kV and 200A 10 times under breaking and closed operation	
故障闭合电流 Fault closed current	可在14.4kV、10000A/0.175s下通过1次故障闭合操作 Available in 14.4kV, 10000A/0.175 1 times by fault closed operation	
热稳定电流 Heat stable current	16kA 1s	30kA 2s
动稳定电流 Peak withstand current	40kA	105kA



15kV 200A 肘型电缆接头  
15kV 200A Loadbreak Elbow Connector

概述 General

15kV 200A插拔式电缆接头为全绝缘、全密封可带电触摸的插入式终端头，广泛应用于户外配电变压器，美式箱变，环网柜，电缆分支箱，地理式变压器及其它电气设备的连接。安装在T-II型电缆头200A的出线侧、200A母排上及美式箱变的单通（或双通）套管接头和负荷转换接头等。测试点可安装带电显示器，以便查询设备带电状态，亦可满足线路核相要求。

其采用高品质的EPDM（三元乙丙橡胶）绝缘，导电杆连接头具有灭弧材料，因此可在带电状态下操作，但不能切断短路电流；可作为负荷开关开断200A的电流。适用于15kV电缆截面为35 mm<sup>2</sup> ~ 150 mm<sup>2</sup>的交联聚乙烯电缆。

15kV 200A Load break Elbow Connector is a fully-shielded and insulated plug-in termination for connecting underground cable to distribution power system of pad-mound transformer, surrounding power supply branch box, cable branch box equipped with load break bushings. The elbow connector and bushing insert comprise the essential components of all load break connections. It can meet the demand of lines in nuclear.

The Load break Elbows are molded using high quality sulfur-cured insulation and semi-conducting EPDM rubber. Standard features include a copper top connector, tin-plated copper load break probe with an ablative arc-follower tip and stainless steel reinforced pulling-eye. An optional capacitive test point, made of corrosion resistant plastic, is available for use with fault indicators. The available conductor cross section is 35-150mm<sup>2</sup> for 15kV cable. The conductive pole W/ARC extinguishes function.

订货信息 Order Information

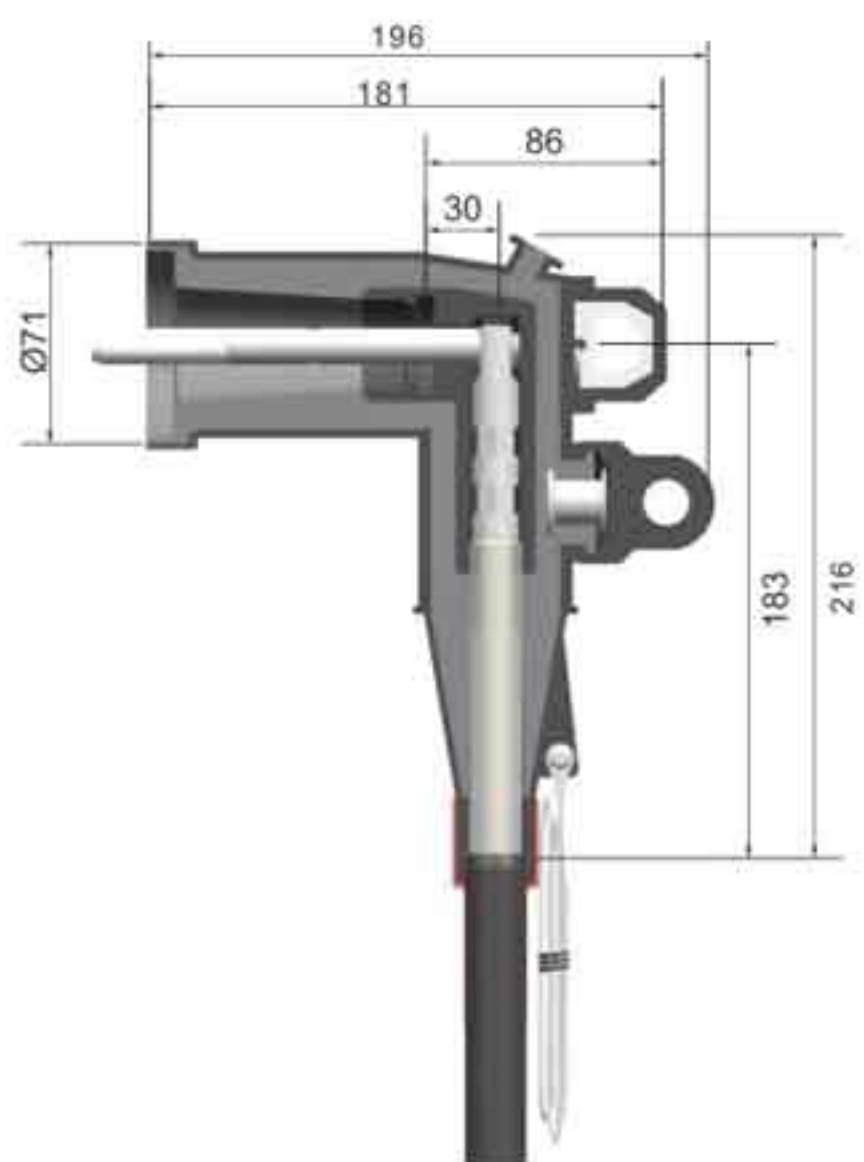
8.7/8.7/15kV三芯交联聚乙烯绝缘钢带铠装聚氯乙烯护套电力电缆(单位: mm)

导体标称截面	导体直径	绝缘厚度	绝缘层外径	外护套厚度	电缆近似直径
25	6.0	4.5	16.6	2.6	50.2
35	7.0	4.5	17.6	2.6	52.3
50	8.3	4.5	18.9	2.8	55.7
70	9.8	4.5	20.4	2.9	49.4
95	11.5	4.5	22.1	3	63.2
120	12.9	4.5	23.5	3.1	66.7
150	14.5	4.5	25.1	3.2	70.5

注：选型时以电缆绝缘外径为决定因素，导体截面作为参考。  
Note: The cable range is the basic element for choosing the product's type. The conductor size is just for a reference.

标准包装 Kit Contents

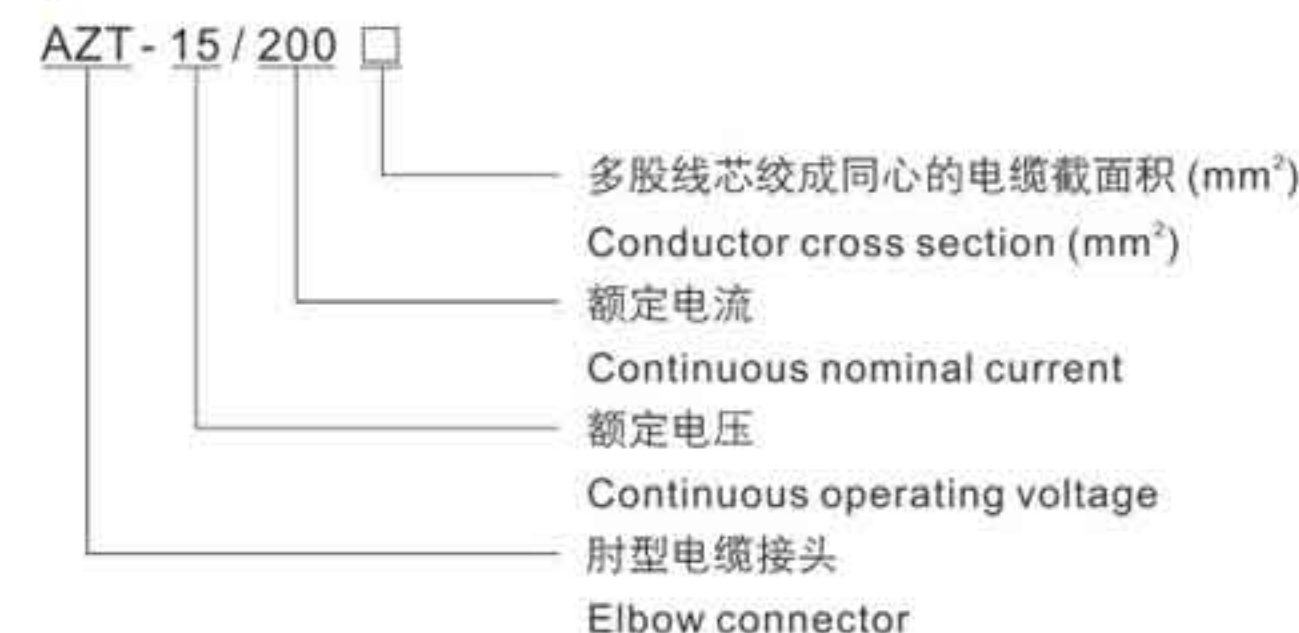
- 电缆接头、测试点帽、接地线、标志环
- 插拔杆
- 刀型扳手
- 清洁纸
- 硅脂
- 压接端子
- 安装指导说明书
- 产品合格证
- Elbow connector, test point cap, grounding wire, loadbreak brand
- Loadbreak probe
- Probe installation tool
- Clearing paper
- Silicone lubricant
- Conductor cable lug
- Installation instruction sheet
- Quality certificate



图一：外形尺寸图  
Figure 1: Dimensions

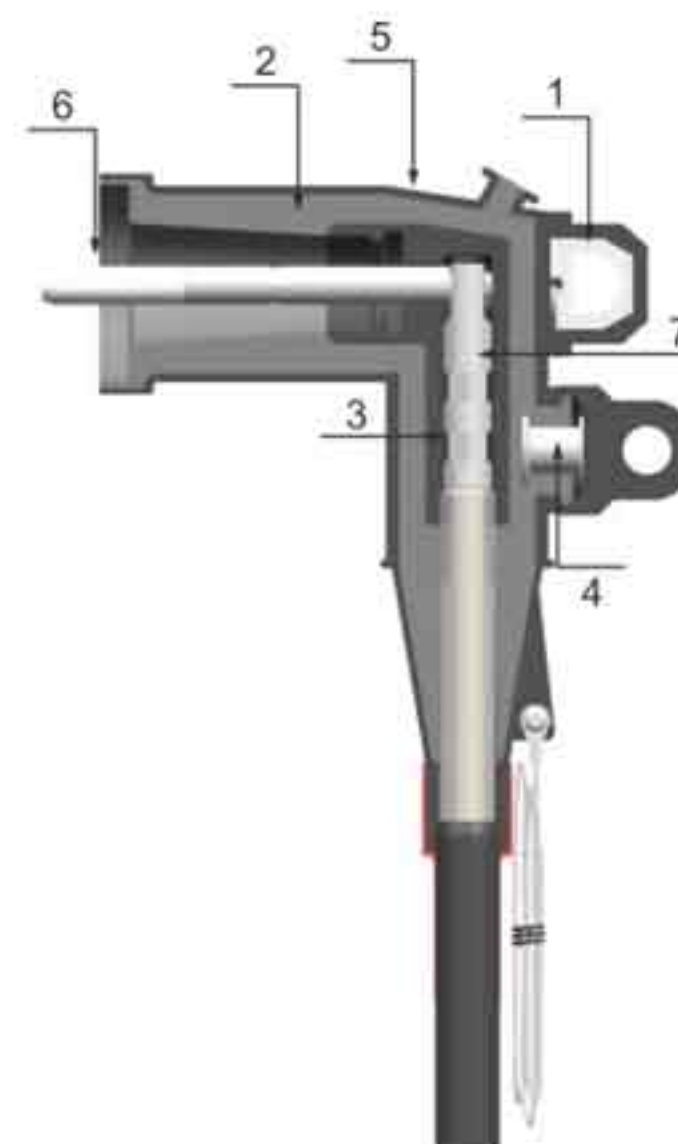


订货编号说明 Inference Information



产品构造 Product Structure

- 1、操作环：一体模铸的不锈钢操作环带有弹簧夹固定点；
- 2、绝缘层：特有的配方和混合技术确保预制EPDM绝缘橡胶的优质品质；
- 3、内半导体层：预制的EPDM导电橡胶有效的控制电气应力；
- 4、电压测试点：用于测试线路是否带电需要和带电指示器配合；
- 5、外半导体层：预制的EPDM导电橡胶与电缆屏蔽的配合实现屏蔽连续，并确保外半导体层处于接地状态；
- 6、消弧插入棒：镀锡铜质导电棒带有消弧功能，用随箱提供的刀形扳手将其拧进导电连接器中；
- 7、压接端子：根据电缆材质的不同，选择铜质压接端子或铜铝压接端子。



图二：产品构造图  
Figure 2: Illustrate Design Integrity

- 1、PULLINGEYE: Stainless steel reinforced for positive shotgun stick switching operations.
- 2、INSULATION: High-quality EPDM rubber formulated, mixed, and milled in-house for consistent and reliable field performance.
- 3、SEMI-CONDUCTIVE INSERT: High-quality EPDM rubber creates a smooth surface around the "current interchange" to evenly distribute electrical stress within the insulation.
- 4、TEST POINT(OPTIONAL): Corrosion-resistan, conductive electrode provides consistent capacitive voltage for application of fault indicators and determining a circuit's state(cap not shown)
- 5、SEMI-CONDUCTIVE SHIELD: High-quality EPDM rubber provides protective dead front shield that meets requirements of IEEE Standard 592.
- 6、LOADBREAK PROBE: Tin-plated copper probe with arc-ablative tip(arc follower)
- 7、CONDUCTOR CABLE LUG: Inertia-welded aluminum barrel and threaded copper lug makes crimping easy and ensures a tight, reliable electrical connection with load break probe. Standard IEEE and CSA types available.





AH ZT-25/200A 肘型电缆接头  
Loadbreak Elbow Connector

概述 General

25kV 200A插拔式电缆接头为全绝缘、全密封可带电触摸的插入式终端头，广泛应用于户外配电变压器，美式箱变，环网柜，电缆分支箱，地埋式变压器及其它电气设备的连接。安装在T-II型电缆头200A的出线侧、200A母排上及美式箱变的单通（或双通）套管接头和负荷转换接头等。测试点可安装带电显示器，以便查询设备带电状态亦可满足线路核相要求。

其采用高品质的EPDM（三元乙丙橡胶）绝缘，导电杆连接头具有灭弧材料，因此可在带电状态下操作，但不能切断短路电流；可作为负荷开关开断200A的电流。适用于25kV电缆截面为25 mm<sup>2</sup> ~150 mm<sup>2</sup>的交联聚乙烯电缆。

25kV 200A Loadbreak Elbow Connector is a fully-shielded and insulated plug-in termination for connecting underground cable to distribution power system of pad-mound transformer, surrounding power supply branch box, cable branch box equipped with loadbreak bushings. The elbow connector and bushing insert comprise the essential components of all loadbreak connections. It can meet the demand of lines in nuclear.

The Loadbreak Elbows are molded using high quality sulfur-cured insulation and semi-conducting EPDM rubber. Standard features include a copper top connector, tin-plated copper loadbreak probe with an ablative arc-follower tip and stainless steel reinforced pulling-eye. An optional capacitive test point, made of corrosion resistant plastic, is available for Use with fault indicators. The available conductor cross section is 25-150mm<sup>2</sup> for 25kV cable. The conductive pole W/ARC extinguishes function.

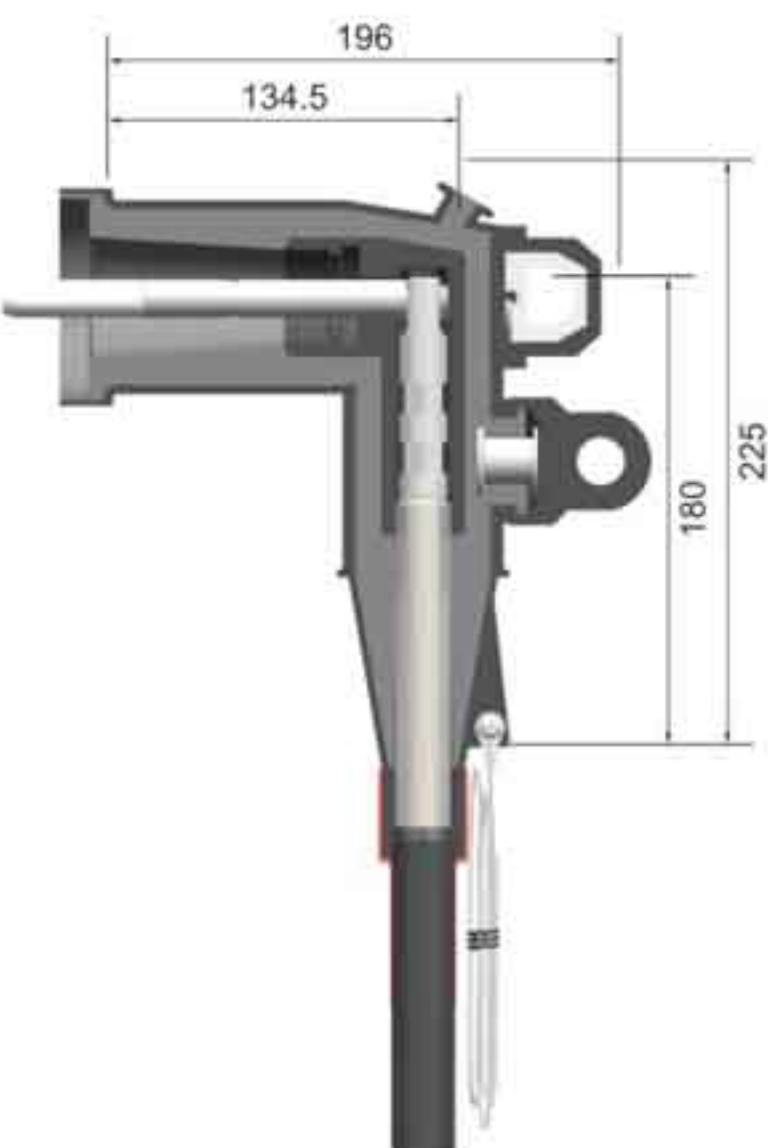
25kV订货信息 25kV Order Information

12/20kV三芯交联聚乙烯绝缘钢带铠装聚氯乙烯护套电力电缆(单位: mm)

导体标称截面	导体直径	绝缘厚度	绝缘层外径	外护套厚度	电缆近似直径
25	6.0	5.5	18.6	2.8	55.2
35	7.0	5.5	19.6	2.8	57.4
50	8.3	5.5	20.9	2.9	60.6
70	9.8	5.5	22.4	3.1	64.1
95	11.5	5.5	24.1	3.2	68.2
120	12.9	5.5	25.5	3.3	71.5

注：选型时以电缆绝缘外径为决定因素，导体截面作为参考。

Note: The cable range is the basic element for choosing the product's type. The conductor size is just for a reference.



图一：外形尺寸图  
Figure 1: Dimensions

标准包装 Kit Contents

- 电缆接头、测试点帽、接地线
- 插拔杆
- 刀型扳手
- 清洁纸
- 硅脂
- 压接端子
- 安装指导说明书
- 产品合格证
- Elbow connector, test point cap, grounding wire
- Loadbreak probe
- Probe installation tool
- Clearing paper
- Silicone lubricant
- Conductor cable lug
- Installation instruction sheet
- Quality certificate

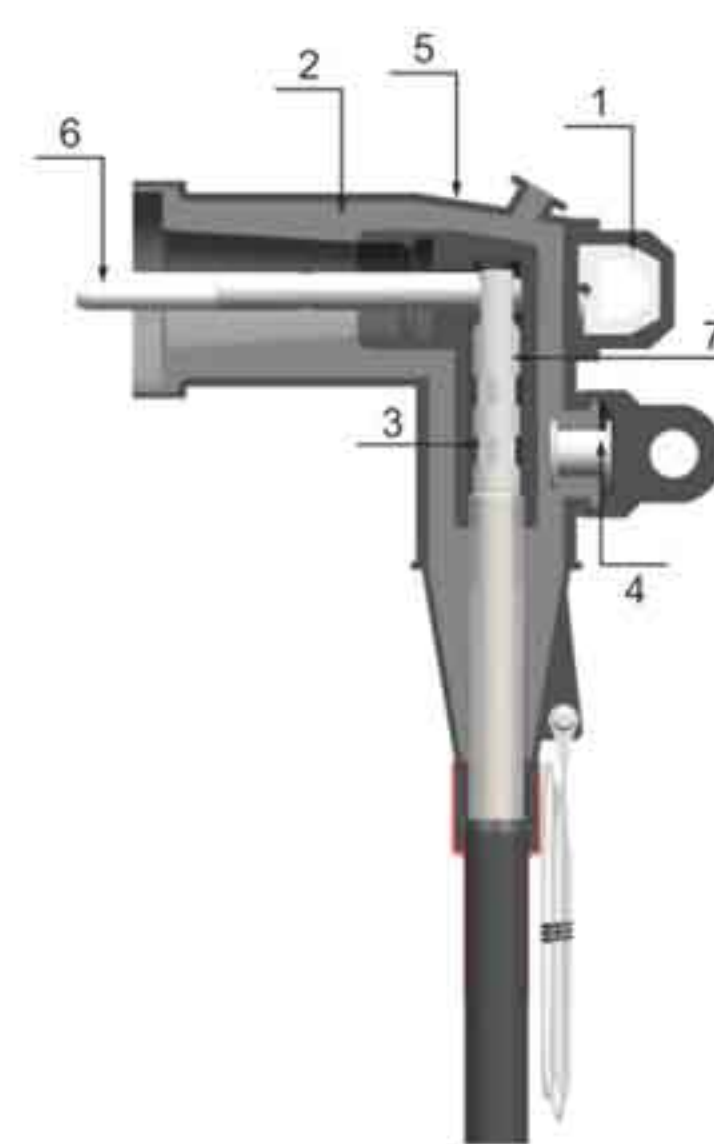
定货编号说明 Inference Information



产品构造 Product Structure

- 1、操作环：一体压铸的不锈钢操作环带有弹簧夹固定点；
- 2、绝缘层：特有的配方和混合技术确保预制EPDM绝缘橡胶的优质品质；
- 3、内半导体层：预制的EPDM导电橡胶有效的控制电气应力；
- 4、电压测试点：用于测试线路是否带电需要和带电指示器配合；
- 5、外半导体层：预制的EPDM导电橡胶与电缆屏蔽的配合实现屏蔽连续，并确保外半导体层处于接地状态；
- 6、消弧插入棒：镀锡铜质导电棒带有消弧功能，用随箱提供的刀形扳手将其拧进导电连接器中；
- 7、压接端子：根据电缆材质的不同，选择铜质压接端子或铜铝压接端子。

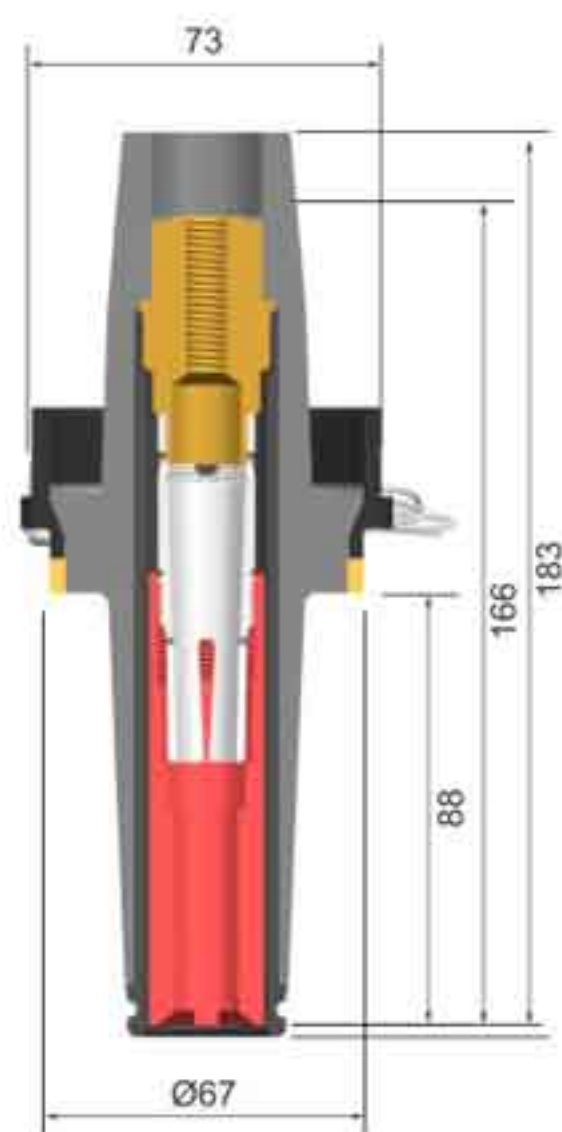
- 1、PULLING EYE: Stainless steel reinforced for positive shotgun stick switching operations.
- 2、INSULATION: High-quality EPDM rubber formulated, mixed, and milled in-house for consistent and reliable field performance.
- 3、SEMI-CONDUCTIVE INSERT: High-quality EPDM rubber creates a smooth surface around the "current interchange" to evenly distribute electrical stress within the insulation.
- 4、TEST POINT (OPTIONAL): Corrosion-resistant, conductive electrode provides consistent capacitive voltage for application of fault indicators and determining a circuit's state (cap not shown)
- 5、SEMI-CONDUCTIVE SHIELD: High-quality EPDM rubber provides protective dead front shield that meets requirements of IEEE Standard 592.
- 6、LOADBREAK PROBE: Tin-plated copper probe with arc-ablative tip (arc follower)
- 7、CONDUCTOR CABLE LUG: Inertia-welded aluminum barrel and threaded copper lug makes crimping easy and ensures a tight, reliable electrical connection with load break probe. Standard IEEE and CSA types available.



图二：产品构造图  
Figure 2: Illustrate Design Integrity



15kV 200A 单通套管接头  
15kV 200A Bushing Insert



图一：外形尺寸图  
Figure 1: Dimensions

概述 General

15kV 200A单通套管接头，与套管座配合提供了与一体式套管接头相同的功能，与肘型接头配合是可插拔连接系统中最基本的组成部分，主要用于美式箱变、户外环网柜的高压电气连接。单通套管接头与套管座配合使用使得现场安装与更换成为可能。

单通套管的内六角使安装更为方便，其中配合使用安装工具，可以将套管紧密安装至套管座而避免任何潜在的损坏。

产品的黄色定位圈能够很直接的反应出肘型接头是否安装到位。

其采用高品质的EPDM（三元乙丙橡胶）绝缘，单通套管内部先进的设计确保在与肘型接头断开时能正常灭弧。

15kV 200A Bushing insert threads into a universal bushing well to provide the same function as an integral load break bushing. Using bushing inserts makes field installation and replacement possible and efficient. Bushing inserts and elbow connectors comprise the essential components of all load break connections. The bushing Insert uses a patented wholly current path, containing only one current transfer point, within the insert itself. The uncomplicated nature of the current path design delivers superior, reliable performance.

An internal broach allows for positive torque controlled installation. Using the optional installation torque tool the bushing insert can be properly tightened into the bushing well without the fear of accidentally breaking the bushing well stud. Power exclusive latch indicator ring, located on the circumference of the bushing's collar, eliminates the guesswork of load break elbow installation of the bushing insert.

The bright yellow ring provides immediate feedback to determine if the elbow is properly installed on the insert.

The Bushing Insert are molded using high quality sulfur-cured insulation and semi-conduction EPDM rubber. When mated with a comparably rated component, the bushing insert provides a fully shielded and submersible connection for load break operation.

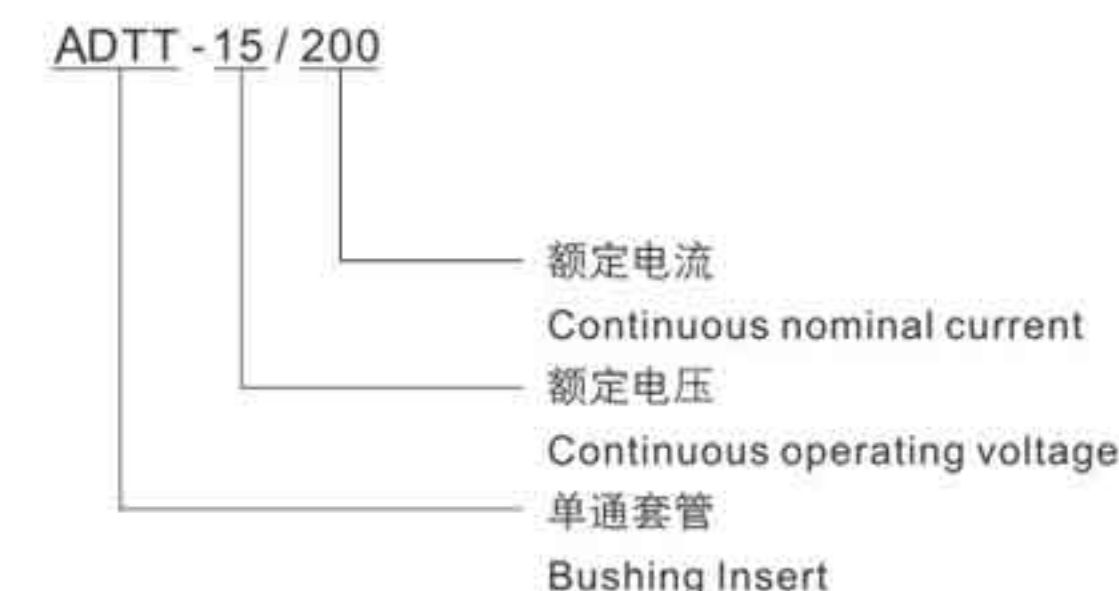
订货信息 Order Information

产品名称 Description	订货编号 Reference No.	额定电压 Continuous operating voltage	额定电流 Continuous nominal current
200A 15kV单通套管接头 Bushing Insert	A DTT-15/200	15kV	200A

标准包装 Kit Contents

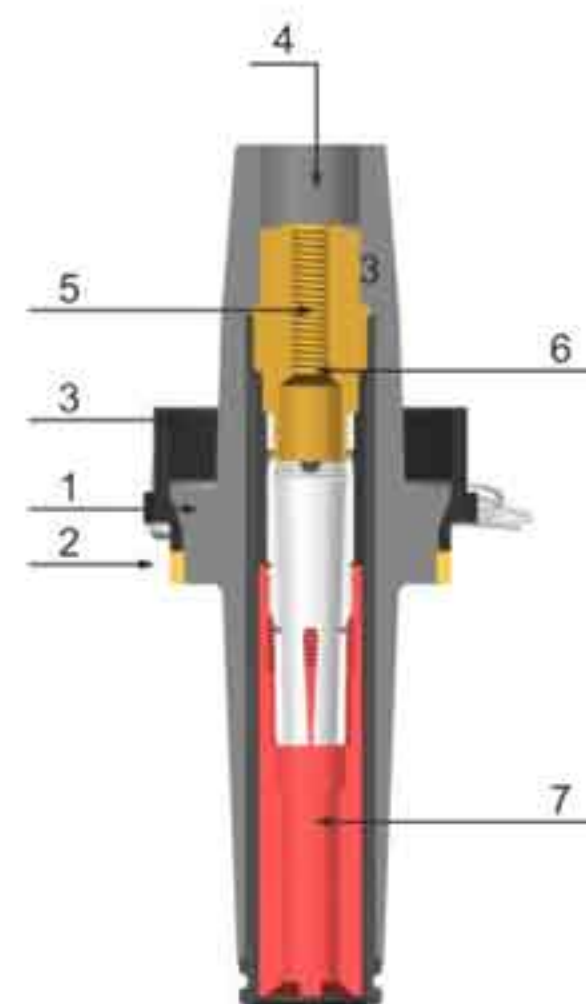
- 单通套管接头
- 清洁纸
- 硅脂
- 红色防尘帽（非绝缘保护帽）
- 安装指导说明书
- 产品合格证
- Bushing insert
- Clearing paper
- Silicone lubricant
- Covering cap
- Installation instruc
- Quality certificate

定货编号说明 Inference Information



产品构造 Product Structure

- 1、绝缘层：特有的配方和混合技术确保预制EPDM绝缘橡胶的优质品质；
- 2、黄色定位圈：用以指示安装是否到位；
- 3、外半导体层：预制的EPDM导电橡胶与电缆屏蔽的配合实现屏蔽连续，并确保外半导体层处于接地状态；
- 4、带螺纹底座：3/8" -16 UNC螺纹可以保证套管座安全连接到单通套管上；
- 5、内六角：与内六角扳手配合使用，方便安装；
- 6、铜质接头：由导电性能良好的材质制成；
- 7、消弧室：有效消除电缆接头插拔操作时产生的电弧，保证设备安全运行。

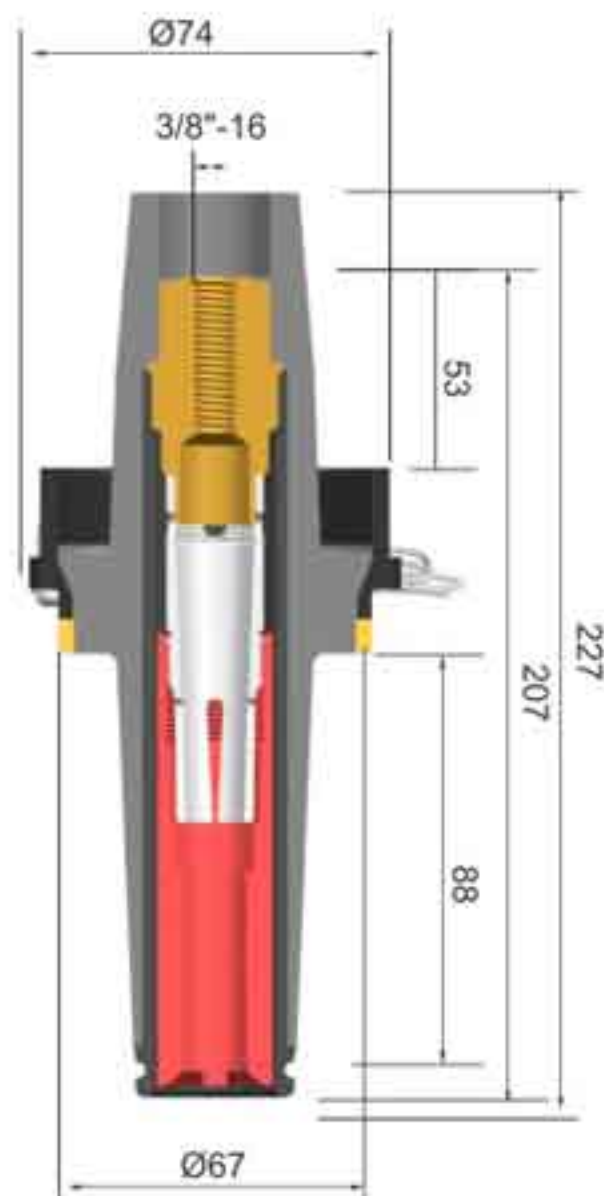


图二：产品构造图  
Figure 2: Illustrate Design Integrity

- 1、INSULATION: High quality, peroxide-cured EPDM rubber formulated, mixed and molded in-house for consistent and reliable field performance.
- 2、LATCH INDICATOR RING: Molded-in bright yellow ring eliminates elbow installation guesswork by assuring a quality connection.
- 3、SEMI-CONDUCTIVE SHIELD: High quality EPDM rubber provides protective dead front shield that make sure they have grounding
- 4、THREADED BASE: 3/8"-16 UNC Copper threads provide connection to bushing well stud.
- 5、HEX BROACH: 5/16" hex broach permits consistent installation with torque tool.
- 6、INTEGRAL PISTON-CONTACT: One-piece copper component provides a multi-point, knurled current transfer to the contact holder, During a " fault-close" switching operation, the piston is forced quickly forward to engage the elbow's load break probe.
- 7、ARC SNUFFER ASSEMBLY: Arc-ablative plastic produces arc extinguishing gas during load break switching operations.



25kV 200A 单通套管接头  
25kV 200A Bushing insert



图一：外形尺寸图  
Figure 1: Dimensions

概述 General

25kV 200A单通套管接头，与套管座配合提供了与一体式套管接头相同的功能，与肘型接头配合是可插拔连接系统中最基本的组成部分，主要用于美式箱变、户外环网柜的高压电气连接。单通套管接头与套管座配合使用使得现场安装与更换成为可能。

单通套管的内六角使安装更为方便，其中配合使用安装工具，可以将套管紧密安装至套管座而避免任何潜在的损坏。

产品的黄色定位圈能够很直接的反应出肘型接头是否安装到位。

其采用高品质的EPDM（三元乙丙橡胶）绝缘，单通套管内部先进的设计确保在与肘型接头断开时能正常灭弧。

25kV 200A Single-pass casing joints threads into a universal bushing well to provide the same function as an integral load break bushing. Using bushing inserts and elbow connectors comprise the essential components of all load break connections. The bushing Insert uses a patented wholly current path, containing only one current transfer point, within the insert itself. The uncomplicated nature of the current path design delivers superior, reliable performance.

An internal broach allows for positive torque controlled installation. Using the optional installation torque tool the bushing insert can be properly tightened into the bushing well without the fear of accidentally breaking the bushing well stud. Power exclusive latch indicator ring, located on the circumference of the bushing's collar, eliminates the guesswork of load break elbow installation of the bushing insert.

The bright yellow ring provides immediate feedback to determine if the elbow is properly installed on the insert.

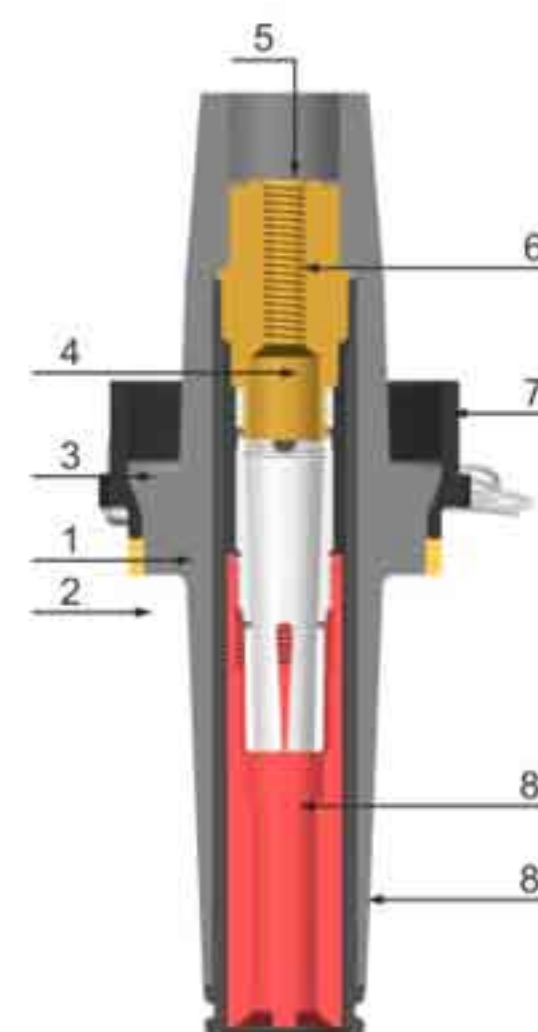
The Single-pass casing joints are molded using high quality sulfur-cured insulation and semi-conduction EPDM rubber. When mated with a comparably rated component, the bushing insert provides a fully shielded and submersible connection for load break operation.

订货信息 Order Information

产品名称 Description	订货编号 Reference No.	额定电压 Continuous operating voltage	额定电流 Continuous nominal current
25kV 200A 单通套管接头 Single-pass casing joints	A DTT-25/200	25kV	200A

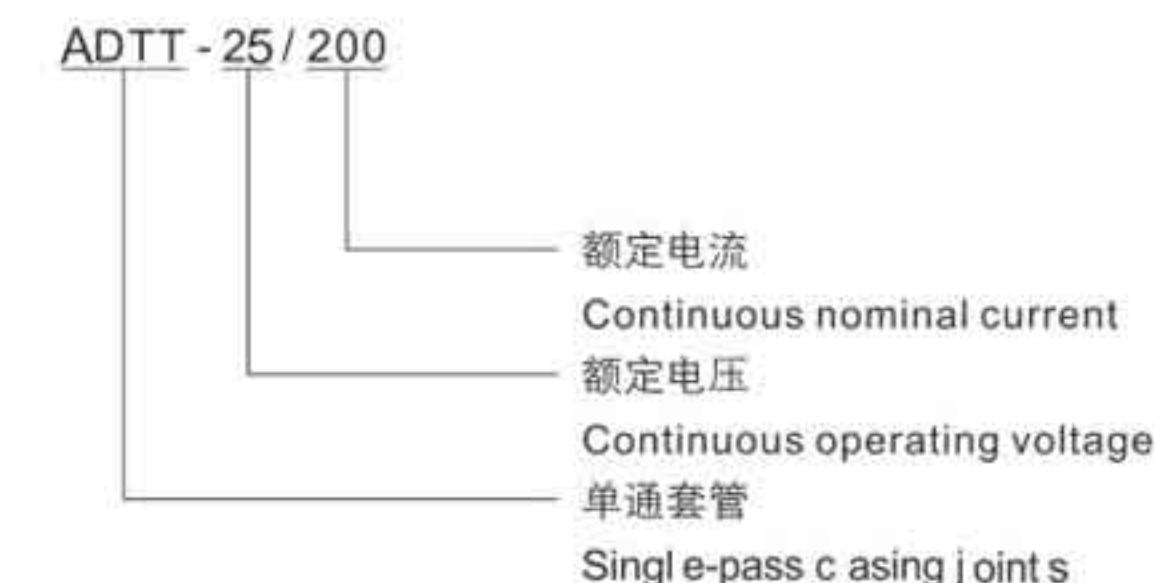
标准包装 Kit Contents

- 单通套管接头
- 清洁纸
- 硅脂
- 红色防尘帽（非绝缘保护帽）
- 安装指导说明书
- 产品合格证
- Bushing insert
- Clearing paper
- Silicone lubricant
- Covering cap
- Installation instruction sheet
- Quality certificate



图二：产品构造图  
Figure 2: Illustrate Design Integrity

定货编号说明 Inference Information

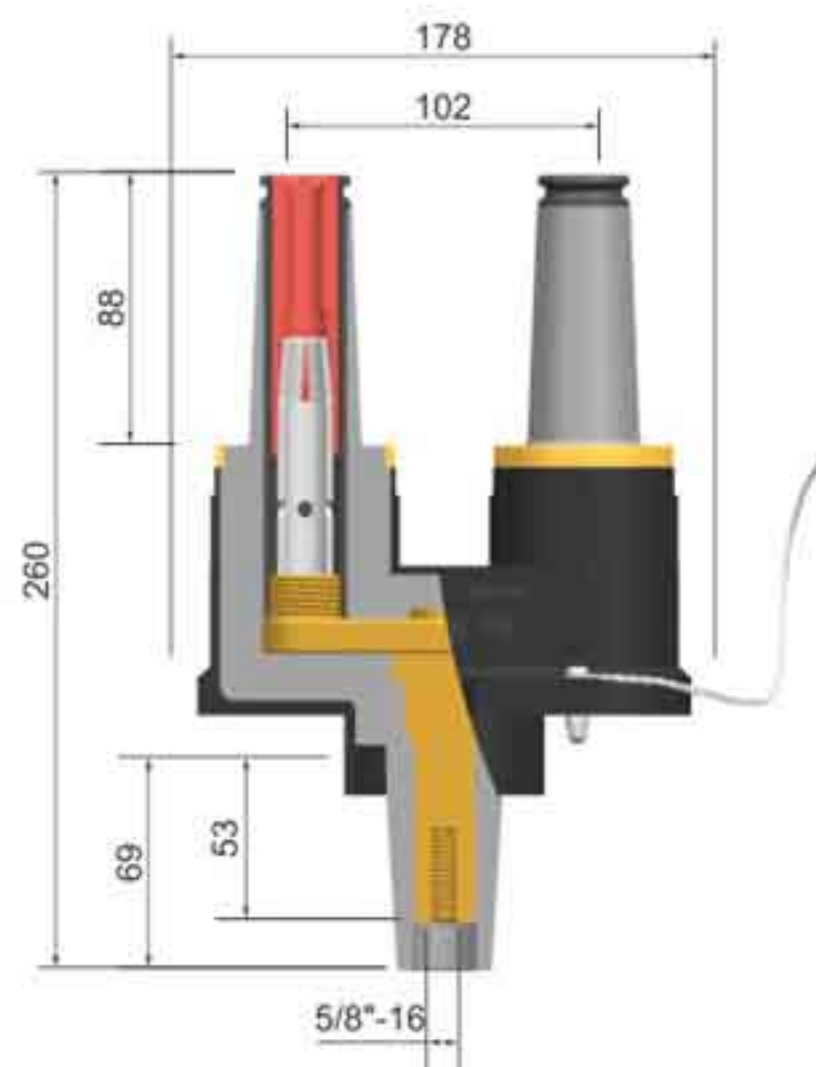


产品构造 Product Structure

- 1、绝缘层：特有的配方和混合技术确保预制EPDM绝缘橡胶的优质品质；
  - 2、黄色定位圈：用以指示安装是否到位；
  - 3、外半导体层：预制的EPDM导电橡胶与电缆屏蔽的配合实现屏蔽连续，并确保外半导体层处于接地状态；
  - 4、导体：铜质部件把电流从铜质接头连接到设备上；
  - 5、带螺纹底座：3/8" -16 UNC螺纹可以保证套管座安全连接到单通套管上；
  - 6、内六角：与内六角扳手配合使用，方便安装；
  - 7、接地眼：预注到外半导体层中用于接地线的连接；
  - 8、消弧室：有效消除电缆接头插拔操作时产生的电弧，保证设备安全运行；
  - 9、内半导体层：预制的EPDM导电橡胶有效的控制电气应力。
- 1、INSULATION: High quality, peroxide-cured EPDM rubber formulated, mixed and molded in-house for consistent and reliable field performance.
  - 2、LATCH INDICATOR RING: Molded-in bright yellow ring eliminates elbow installation guesswork by assuring a quality connection.
  - 3、SEMI-CONDUCTIVE SHIELD: High quality EPDM rubber provides protective dead front shield that make sure they have grounding
  - 4、CONTACT HOLDER: Copper component transfers current from piston-contact to bushing well stud.
  - 5、THREADED BASE: 3/8"-16 UNC Copper threads provide connection to bushing well stud.
  - 6、HEX BROACH: 5/16" hex broach permits consistent installation with torque tool.
  - 7、GROUNDING EYE: Three tabs molded into a semi-conductive shield for the attachment of a ground wire to maintain dead front safety.
  - 8、ARC SNUFFER ASSEMBLY: Arc-ablative plastic produces arc extinguishing gas during load break switching operations.
  - 9、SEMI-CONDUCTIVE SHIELD INSERT: High High quality EPDM rubber provides mechanical strength and uniform electrical shielding.



15kV 200A 双通套管接头  
15kV 200A Rotatable Feedthru Insert



图一：外形尺寸图  
Figure 1: Dimensions

概述 General

15kV 200A双通套管接头，与套管座相连实现单路与双路的转换。其中一路与单通套管接头有相似的功能，另一路连接肘型避雷器（提高过压保护），或用于改变箱变的接线方式。

该产品主要用于美式箱变、户外环网开关柜等高压电气设备，与之相连常用的电缆附件有：肘型接头、肘型避雷器和套管座。

其采用高品质的EPDM橡胶绝缘，双通套管内部先进的结构设计确保与肘型接头断开时正常灭弧。

独特的防倒转设计保证双通套管接头旋转至合适的安装位置且不影响连接性能。

15kV 200A Rotatable Feedthru Insert is used to provide dual bushings from a single apparatus bushing well. It makes converting radial-feed transformers to feed thru transformers and adding in-line arrester protection both easy and practical. Its patented, built-in torque limiting ratchet prevents operators from accidentally breaking bushing well studs during installation.

The 15kV 200A Rotatable Feedthru Insert for connecting underground cable to distribution power system of pad-mound transformer, surrounding power supply branch box, using together with this is: load break elbow connector elbow surge arrester and apparatus bushing.

The Load break Elbows are molded using high quality sulfur-cured insulating and semi-conducting EPDM rubber, When mated with comparably rated products, the insert provides a fully shielded and submersible load break apparatus connection.

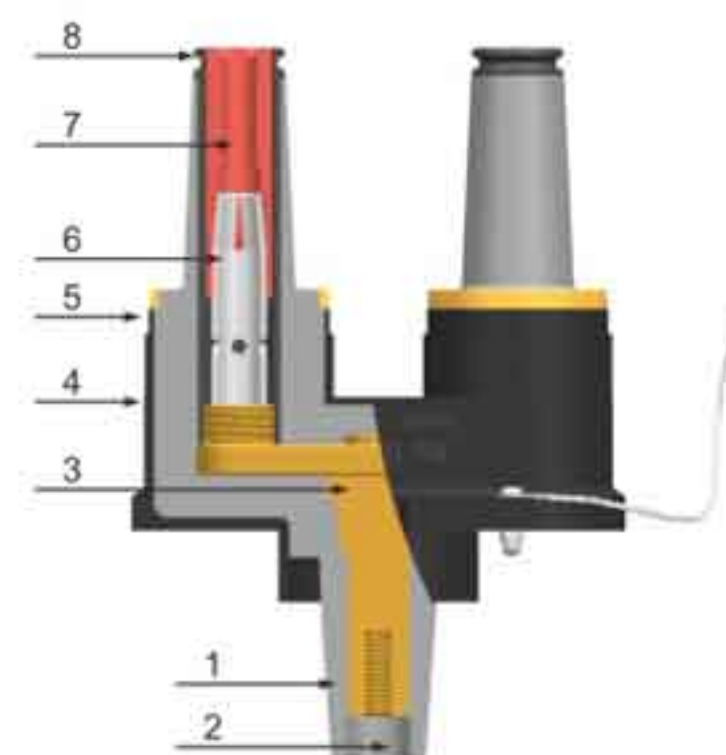
The Rotatable Feed thru Insert's latch indicator ring, located on the circumference of the bushing's collar, eliminates the guesswork of load break elbow installation on the bushing interface. The bright yellow ring provides immediate feedback to determine if the elbow is properly installed on the bushing. if the yellow ring is completely covered by the load break elbow, it is fully "latched," if the ring is visible, the elbow can be installed correctly before any problems can occur.

订货信息 Order Information

产品名称 Description	订货编号 Reference No.	额定电压 Continuous operating voltage	额定电流 Continuous nominal current
15kV双通套管接头	A STT-15/200	15kV	200A

标准包装 Kit Contents

- 双通套管接头
- 防尘帽（非绝缘保护帽）
- 硅脂
- 清洁纸
- 不锈钢固定压板+M4螺杆+碟型螺母
- 安装指导说明书
- 产品合格证
- Doubl e-pass c asing c onnect or
- Covering cap
- Silicone lubricant
- Clearing paper
- Stainless steel bail assembly + M4 Screw + Dished nut
- Installation instruction sheet
- Quality certificate



图二：产品构造图  
Figure 2: Illustrate Design Integrity

定货编号说明 Inference Information



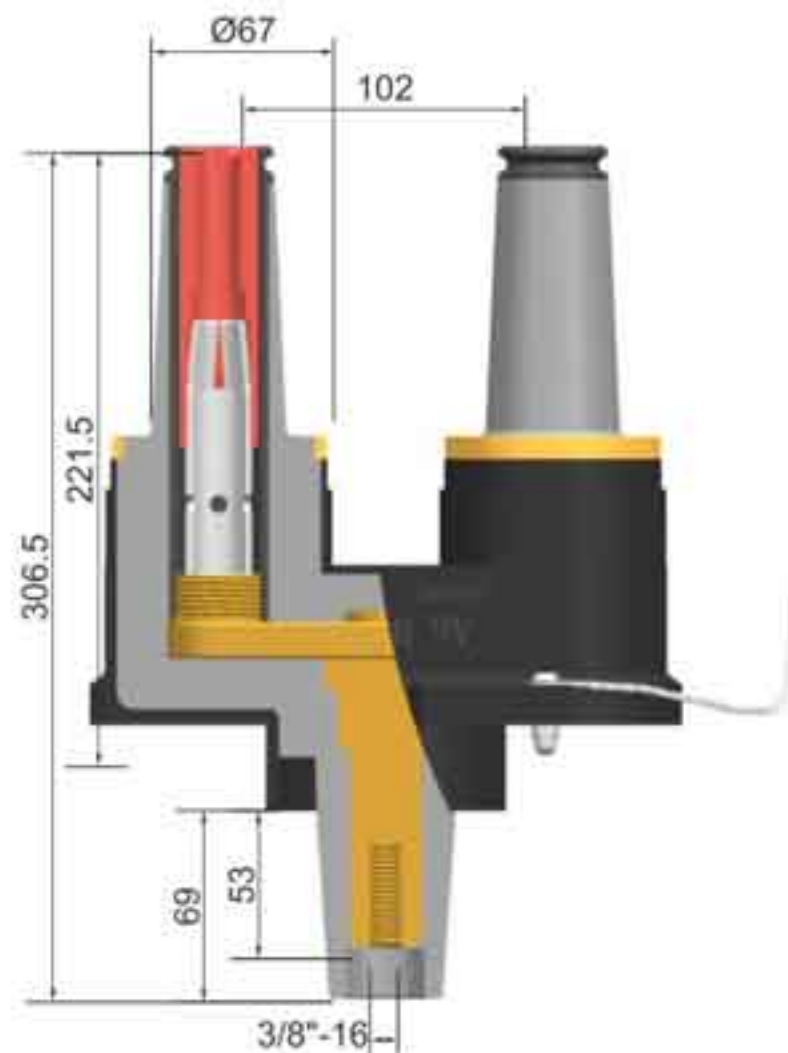
产品构造 Product Structure

- 1、绝缘层：高品质，特殊工艺处理的EPDM绝缘橡胶增强了产品的电气性能；
- 2、螺纹接口：3/8"-16螺纹；
- 3、力矩限位器：根据安装需要，可以360° 调整双通的方向；
- 4、外半导体层：预制EPDM导电橡胶符合IEEE592标准；
- 5、黄色定位圈：显示产品是否安装到位；
- 6、铜质接头：特殊工艺处理的铜质接头；
- 7、消弧室：电缆接头插拔操作时，有效的消除电弧对产品的影响；
- 8、锁槽：有高强度、耐高温的材料制成，使电缆接头稳固在双通上。

- 1、EPDM INSULATION; High-quality sulfur-cured EPDM insulation is mixed and formulated in-house for consistent and reliable field performance.
- 2、INTERFACE THREADS:3/8-16 UNC Threads.
- 3、TORQUE-LIMITING RATCHET: Eliminates bushing well stud breakage and allows for 360° orientation.
- 4、SEMI-CONDUCTIVE SHIELD: Molded semi-conductive sulfur-cured EPDM shield meets requirements of IEEE Standard 592™.
- 5、LATCH INDICATOR RING: Molded-in bright yellow ring eliminates elbow installation guesswork by assuring a quality connection.
- 6、COPPER BUS BAR: Provides reliable all copper current path and ensures the coolest operating temperatures.
- 7、ARC SNUFER ASSEMBLY: Arc-ablative plastic produces arc extinguishing gas during load break switching operations.
- 8、LOCKING GROOVE: Nose piece locking groove is made of high strength, high temperature plastic that secures mating connector to feed thru in sert.



25kV 200A双通套管接头  
25kV 200ARotatable Feedthru Insert



图一：外形尺寸图  
Figure 1: Dimensions

概述 General

25kV 200A双通套管接头，与套管座相连实现单路与双路的转换。其中一路与单通套管接头有相似的功能，另一路连接肘型避雷器（提高过压保护），或用于改变箱变的接线方式。

该产品主要用于美式箱变、户外环网开关柜等高压电气设备，与之相连常用的电缆附件有：肘型接头、肘型避雷器和套管座。

其采用高品质的EPDM橡胶绝缘，双通套管内部先进的结构设计确保与肘型接头断开时正常灭弧。

独特的防倒转设计保证双通套管接头旋转至合适的安装位置且不影响连接性能。

The 25kV 200ARotatable Feedthru Insert is used to provide dual bushings from a single apparatus bushing well. It makes converting radial-feed transformers to feed thru transformers and adding in-line arrester protection both easy and practical. Its patented, built-in torque limiting ratchet prevents operators from accidentally breaking bushing well studs during installation.

The 25kV 200ARotatable Feedthru Insert for connecting underground cable to distribution power system of pad-mound transformer, surrounding power supply branch box, using together with this is: load break elbow connector elbow surge arrester and apparatus bushing.

The Load break Elbows are molded using high quality sulfur-cured insulating and semi-conducting EPDM rubber, When mated with comparably rated products, the insert provides a fully shielded and submersible load break apparatus connection.

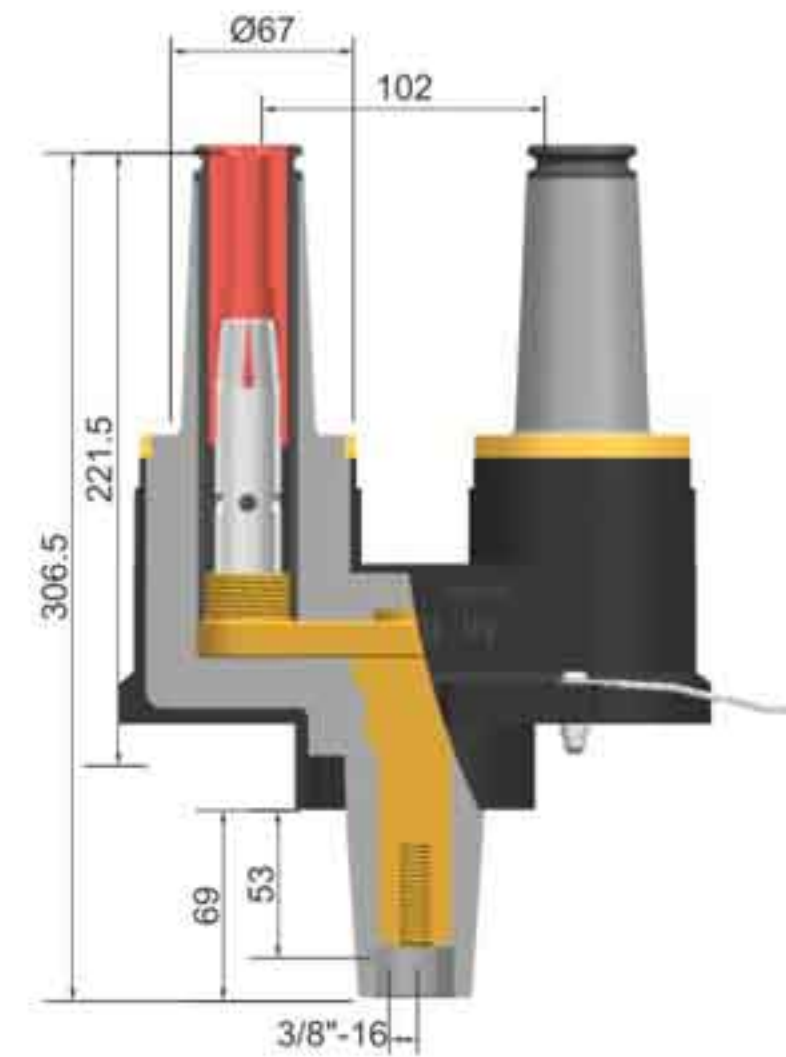
25kV 200A Rotatable Feedthru Insert latch indicator ring, located on the circumference of the bushing's collar, eliminates the guesswork of load break elbow installation on the bushing interface. The bright yellow ring provides immediate feedback to determine if the elbow is properly installed on the bushing. if the yellow ring is completely covered by the load break elbow, it is fully "latched," if the ring is visible, the elbow can be installed correctly before any problems can occur.

订货信息 Order Information

产品名称 Description	订货编号 Reference No.	额定电压 Continuous operating voltage	额定电流 Continuous nominal current
25kV双通套管接头 Doubl e-pass c asing c onnect or	A STT-25/200	25kV	200A

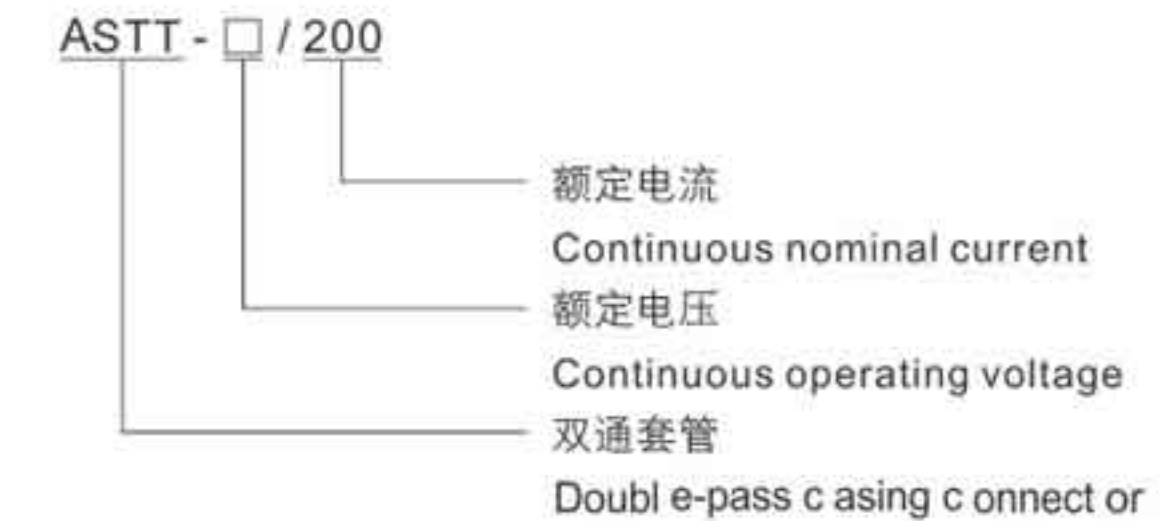
标准包装 Kit Contents

- 双通套管接头
- 防尘帽（非绝缘保护帽）
- 硅脂
- 清洁纸
- 不锈钢固定压板+M4螺杆+碟型螺母
- 安装指导说明书
- 产品合格证
- Doubl e-pass c asing c onnect or
- Covering cap
- Silicone lubricant
- Clearing paper
- Stainless steel bail assembly + M4 Screw + Dished nut
- Installation instruction sheet
- Quality certificate



图二：产品构造图  
Figure 2: Illustrate Design Integrity

定货编号说明 Inference Information



产品构造 Product Structure

- 1、绝缘层：高品质，特殊工艺处理的EPDM绝缘橡胶增强了产品的电气性能；
- 2、螺纹接口：3/8"-16螺纹；
- 3、力矩限位器：根据安装需要，可以360° 调整双通的方向；
- 4、外半导体层：预制EPDM导电橡胶符合IEEE592标准；
- 5、黄色定位圈：显示产品是否安装到位；
- 6、铜质接头：特殊工艺处理的铜质接头；
- 7、消弧室：电缆接头插拔操作时，有效的消除电弧对产品的影响；
- 8、锁槽：有高强度、耐高温的材料制成，使电缆接头稳固在双通上。

- 1、EPDM INSULATION; High-quality sulfur-cured EPDM insulation is mixed and formulated in-house for consistent and reliable field performance.
- 2、INTERFACE THREADS:3/8-16 UNC Threads.
- 3、TORQUE-LIMITING RATCHET: Eliminates bushing well stud breakage and allows for 360° orientation.
- 4、SEMI-CONDUCTIVE SHIELD: Molded semi-conductive sulfur-cured EPDM shield meets requirements of IEEE Standard 592™.
- 5、LATCH INDICATOR RING: Molded-in bright yellow ring eliminates elbow installation guesswork by assuring a quality connection.
- 6、COPPER BUS BAR: Provides reliable all copper current path and ensures the coolest operating temperatures.
- 7、ARC SNUFER ASSEMBLY: Arc-ablative plastic produces arc extinguishing gas during load break switching operations.
- 8、LOCKING GROOVE: Nose piece locking groove is made of high strength, high temperature plastic that secures mating connector to feed thru in sert.



15kV/25kV 200A 套管座  
15kV/25kV 200A Bushing Well

概述 General

15kV/25kV 200A套管座，为200A电缆接头提供接口，主要用于美式箱变、户外环网开关柜等设备。安装在美式箱变的一侧和高压绕组连接，安装在户外环网柜上做200A出线侧。与之相连常用的电缆附件有：单通套管接头、双通套管接头等。

其材料为一种环氧树脂，具有良好的机械和电气性能。

15kV/24kV 200A Bushing Well is widely used in the high-voltage circuit of the pad-mounted, submersible transformer, switch gears, etc. A load break bushing insert threads into a universal bushing well to provide the same function as an integral load break bushing. The bushing is used together with the cable accessories such as: bushing insert, Rotatable Feed thru Insert ect.

The casing seat is molded using high quality insulating material, when mated with comparably rated products, it provides a fully shielded insulating connection.

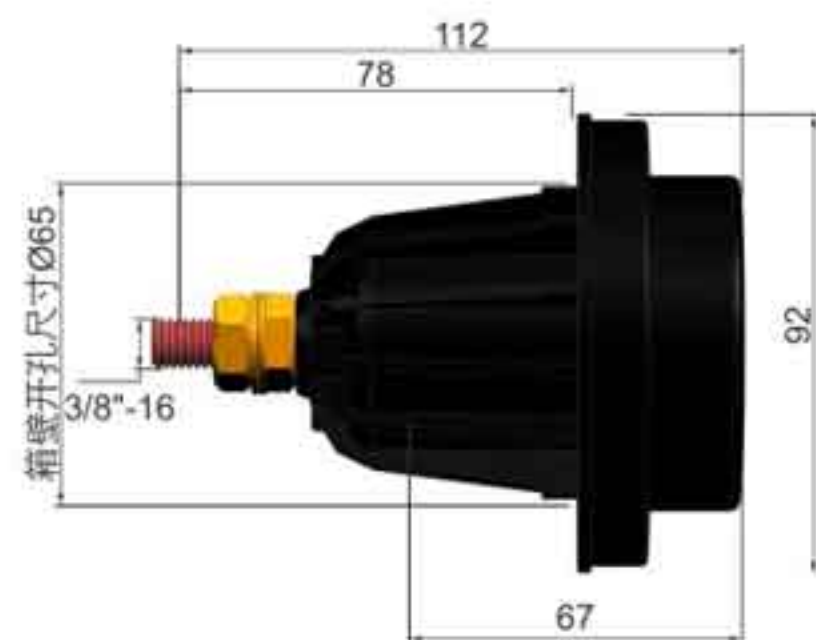
标准包装 Kit Contents

- 套管座
- 密封耐油垫圈
- 套管座防尘帽
- 固定板
- 清洁纸
- 安装指导说明书
- 产品合格证
- Casing seat
- Gasket
- Covering cap
- Seal ring
- Clearing paper
- Installation instruction sheet
- Quality certificate

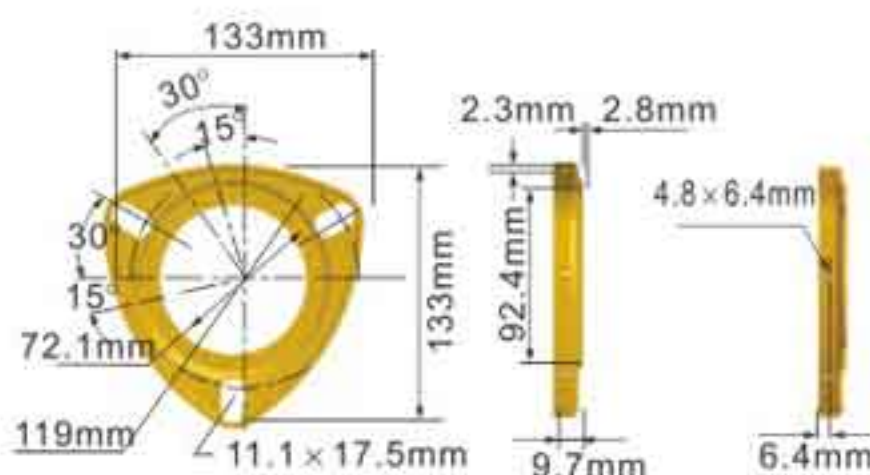
订货信息 Orde Information

产品名称 Description	订货编号 Reference No.	额定电压 Continuous operating voltage	额定电流 Continuous nominal current
200A 15kV套管座 Casing seat	ATGZ-15/200	15kV	200A
200A 25kV套管座 Casing seat	ATGZ-25/200	24kV	200A

定货编号说明 Inference Information



图一：产品构造图  
Figure 1: Illustrate Design Integrity



图二：外形及安装尺寸图  
Figure 2: Dimension Information



17/50kV 肘型避雷器  
17/50kV Elbow Surge Arrester

概述 General

17/50kV肘型避雷器，广泛用于美式箱变和分支箱、地理变、开关柜及其它设备，产品设计适用于安装在200A带负荷插拔的接口，保护设备免受过电压的损害并且有效延长设备使用寿命。

17/50kV Elbow Surge Arrester with silicone rubber connector housing and installed on the 200A Load break bushing extender. It protects medium voltage network, eg: transformers switch gears and cable. incoming over voltage waves and voltage increase by reflection are limited.

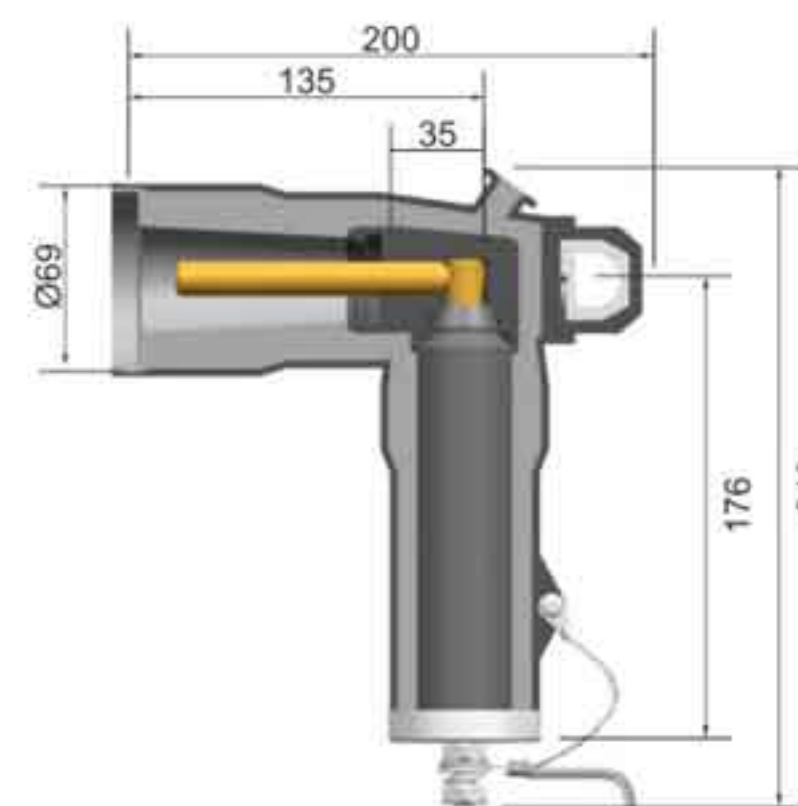
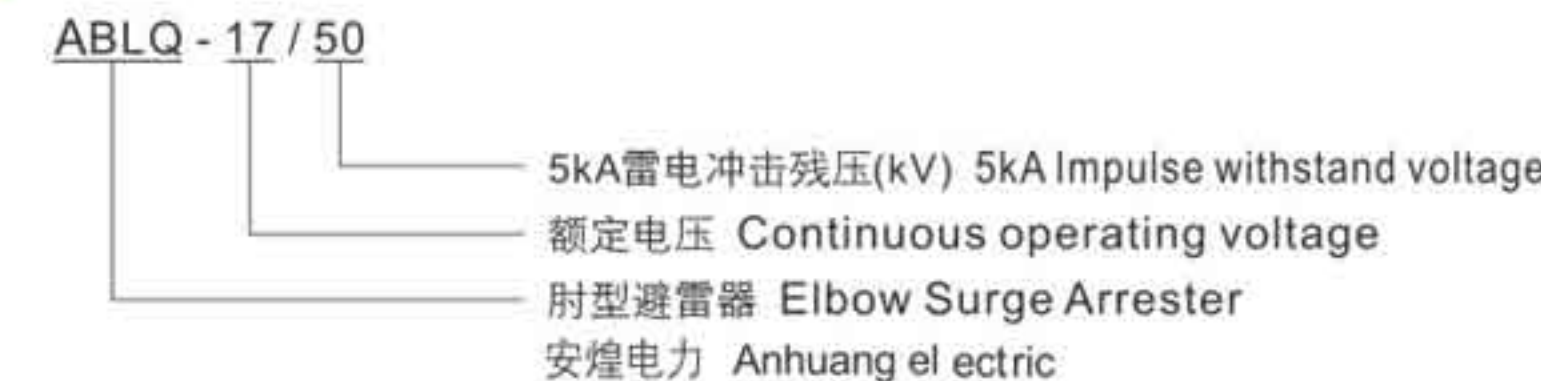
标准包装 Kit Contents

- 肘型避雷器本体
- 硅脂
- 清洁纸
- 安装指导说明书
- 产品合格证
- 检测报告
- Elbow surge arrester
- Silicone lubricant
- Clearing paper
- Installation instruction sheet
- Quality certificate
- Testing report

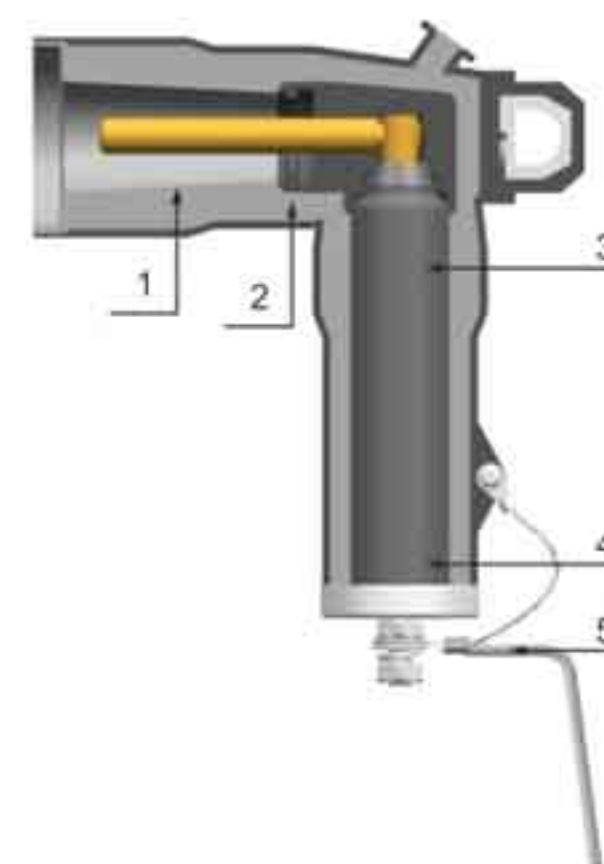
订货信息 Orde Information

产品名称 Description	订货编号 Reference No.	额定电压(kV) Continuous operating voltage	冲击耐压(kV) Continuous nominal current
17/50kV肘型避雷器 Elbow Surge Arrester	ABLQ-17/50	17	50

定货编号说明 Inference Information



图一：外形尺寸图  
Figure 1: Dimensions



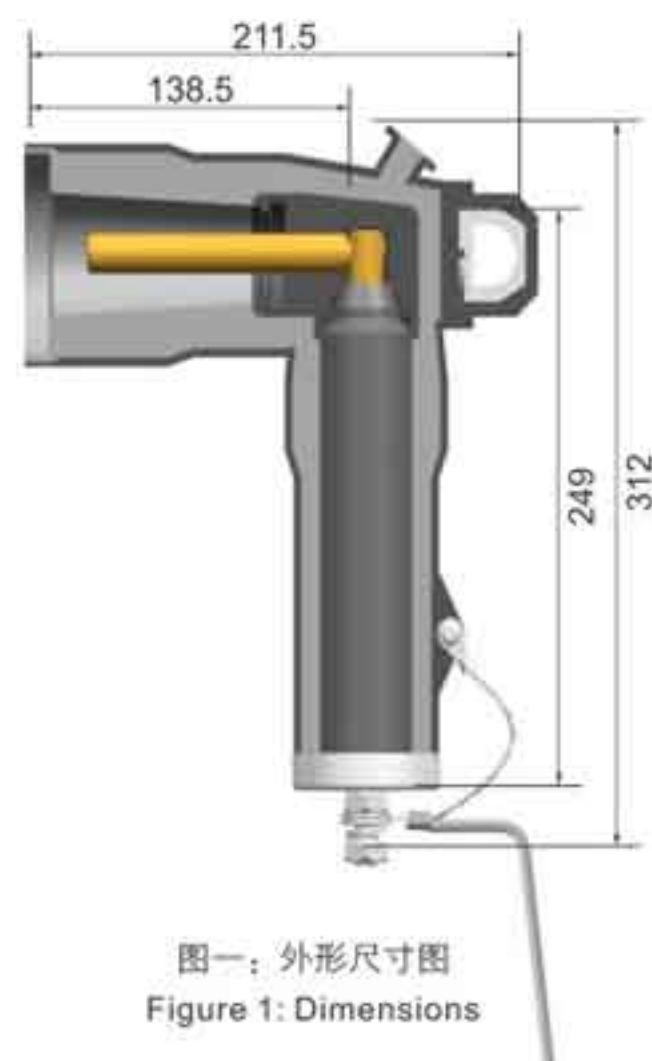
图二：产品构造图  
Figure 2: Illustrate Design Integrity

产品构造 Product Structure

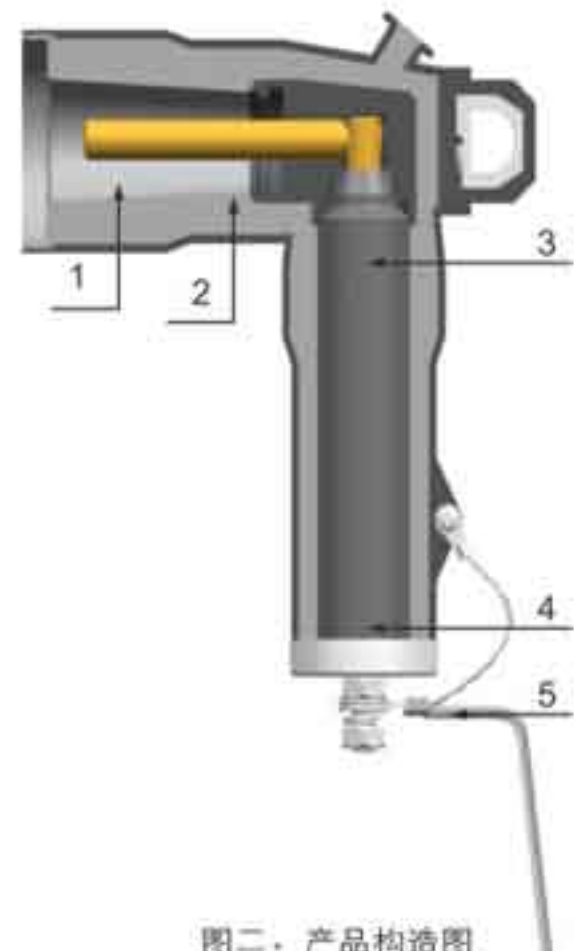
- 1、绝缘层：特有的配方和混合技术确保预制EPDM绝缘橡胶的优质品质。
  - 2、外半导体层：预制的EPDM导电橡胶符合IEEE592标准。
  - 3、避雷器芯子：由经过特殊工艺处理的氧化锌避雷器阀片组成。
  - 4、铜质底盖：铜质底盖与避雷器外导电层紧密结合，使避雷器有效防水，并为避雷器提供接地点。
  - 5、接地线：避雷器下端自带的接地线，用于将雷电冲击电压有效接引到接地位置。
1. EPDM INSULATION: High quality sulfur cu red EPDM insulation is mixed and formulated in-house for complete control of insulation rubber characteristics.
  2. SEMI-CONDUCTIVE SHIELD: Molded semi-conductive EPDM shield meets requirements of ANSI/IEEE Standard 592.
  3. ARRESTER CORE: Compose of the zinc oxide lightning arrester valve slice which through special process treatment.
  4. PROBE: Probe provides reliable conductive path with mating female contacts.
  5. GROUNDING WIRE:(Optional for larger grounding wire) Used for impulse voltage effective after leads to grounding position.



AH BLQ - 34/78 肘型避雷器  
AH BLQ - 34/78 Elbow Surge Arrester



图一：外形尺寸图  
Figure 1: Dimensions



图二：产品构造图  
Figure 2: Illustrate Design Integrity

概述 General

25kV肘型避雷器，广泛用于美式箱变和分支箱，地埋变、开关柜及其它设备。  
25kV Surge Arrester Insert is widely used on medium voltage network, such as transformers switch switch gears and cable and others equipments.

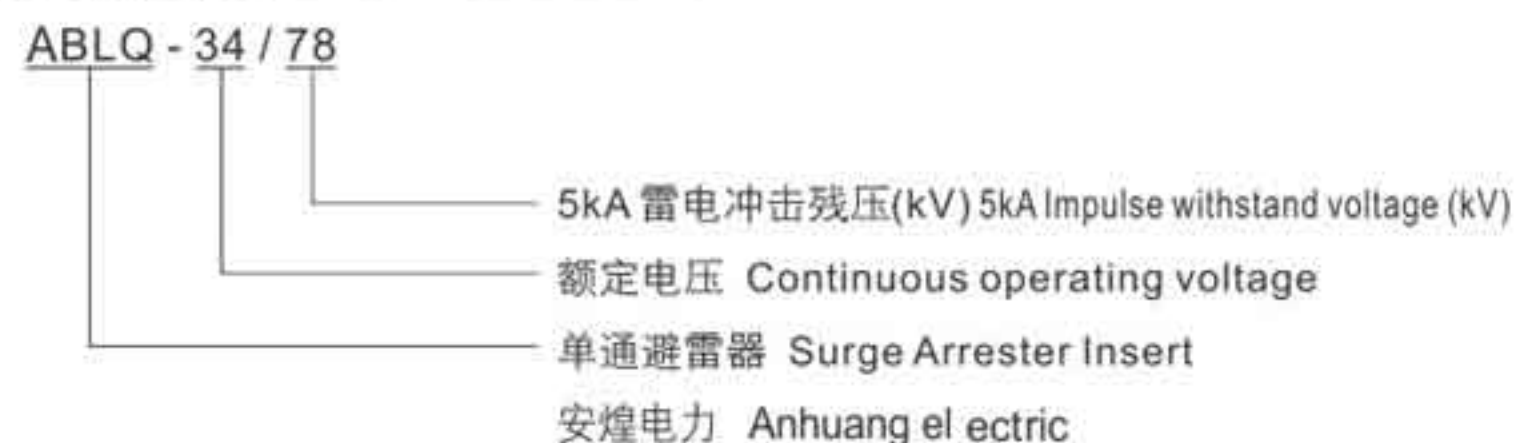
标准包装 Kit Contents

- 肘型避雷器本体 ● Elbow Surge Arrester
- 硅脂 ● Silicone Lubricant
- 清洁纸 ● Clearing Paper
- 安装指导说明书 ● Installation Instruction Sheet
- 产品合格证 ● Quality Certificate
- 出厂报告 ● Testing report

订货信息 Orde Information

产品名称 Description	订货编号 Reference No.	额定电压(kV) Continuous operating voltage	冲击耐压(kV) Continuous nominal current
34/78kV肘型避雷器 Elbow Surge Arrester	ABLQ-34/78	25	78

定货编号说明 Inference Information



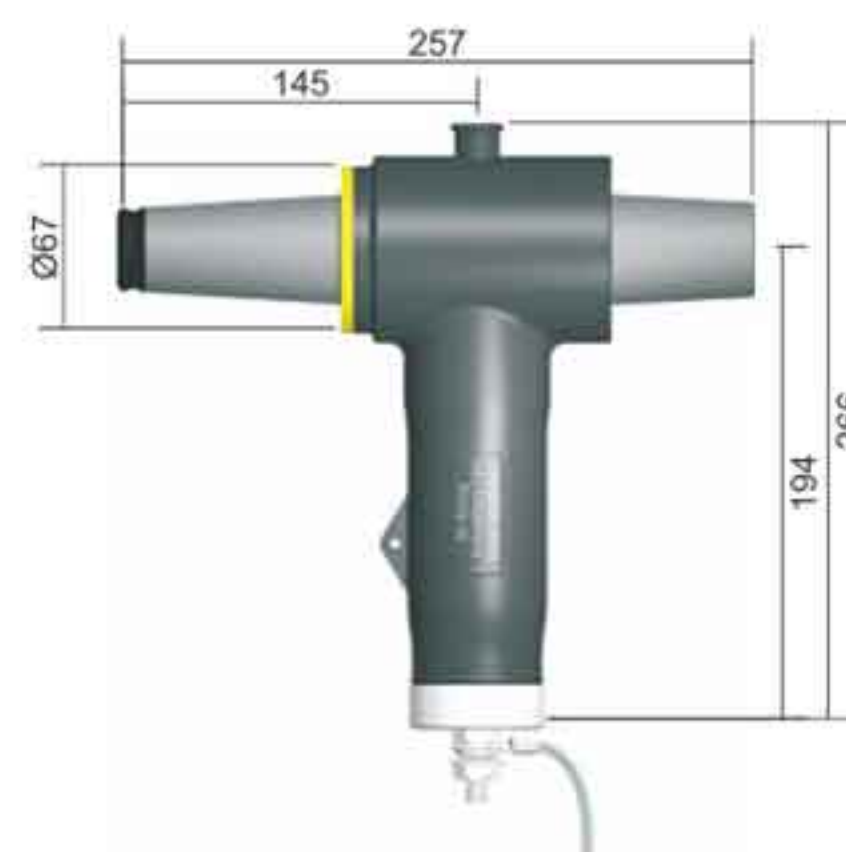
产品构造 Product Structure

- 1、绝缘层：特有的配方和混合技术确保预制EPDM绝缘橡胶的优质品质。
- 2、外半导体层：预制的EPDM导电橡胶符合IEEE592标准。
- 3、避雷器芯子：由经过特殊工艺处理的氧化锌避雷器阀片组成。
- 4、铜质底盖：铜质底盖与避雷器外导电层紧密结合，使避雷器有效防水，并为避雷器提供接地点。
- 5、接地线：避雷器下端自带的接地线，用于将雷电冲击电压有效接引到接地位置。

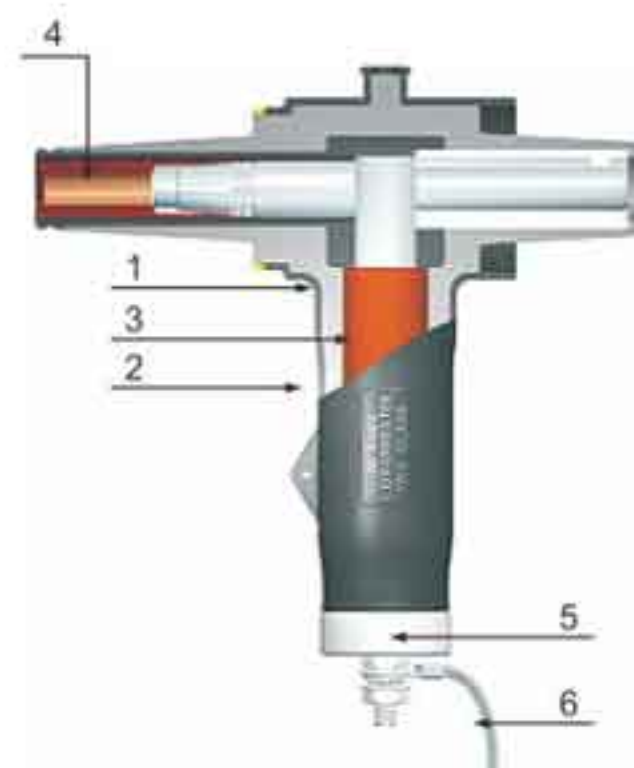
- 1、EPDM INSULATION: High quality sulfur cured EPDM insulation is mixed and formulated in-house for complete control of insulation rubber characteristics.
- 2、SEMI-CONDUCTIVE SHIELD: Molded semi-conductive EPDM shield meets requirements of ANSI/IEEE Standard 592.
- 3、ARRESTER CORE: Compose of the zinc oxide lightning arrester valve slice which through special process treatment.
- 4、PROBE: Probe provides reliable conductive path with mating female contacts.
- 5、GROUNDING WIRE:(Optional for larger grounding wire) Used for impulse voltage effective after leads to grounding position



17/50 单通避雷器  
Surge Arrester Insert



图一：外形尺寸图  
Figure 1: Dimensions



图二：产品构造图  
Figure 2: Illustrate Design Integrity

概述 General

17/50kV单通避雷器，广泛用于美式箱变和分支箱、地埋变、开关柜及其它设备，与之相连的电缆附件有：套管座、肘型电缆接头和绝缘帽。

17/50kV Surge Arrester Insert is widely used on medium voltage network, such as transformers switch gears and cable and others, Used together with load break cable accessories such as bushing elbow connector and insulated protective cap.

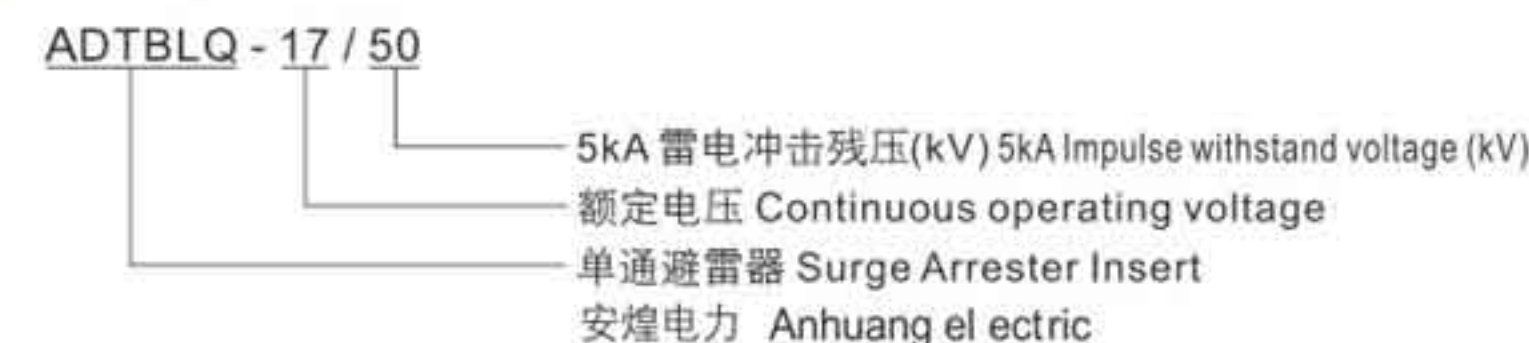
标准包装 Kit Contents

- 单通避雷器本体 ● Surge arrester insert
- 3支配内六角扳手1把 ● Hex wrench
- 硅脂 ● Silicone lubricant
- 清洁纸 ● Clearing paper
- 安装指导说明书 ● Installation instruction sheet
- 产品合格证 ● Quality certificate
- 检测报告 ● Testing report

订货信息 Orde Information

产品名称 Description	订货编号 Reference No.	额定电压 Continuous operating voltage	冲击耐压 Continuous nominal current
17/50kV单通避雷器 17/50kV Surge Arrester Insert	ADTBLQ-17/50	17kV	50kV

定货编号说明 Inference Information



产品构造 Product Structure

- 1、绝缘层：特有的配方和混合技术确保预制EPDM绝缘橡胶的优质品质；
- 2、外半导体层：预制的EPDM导电橡胶符合IEEE592标准；
- 3、避雷器芯子：由经过特殊工艺处理的氧化锌避雷器阀片组成；
- 4、消弧室：电缆接头插拔操作时，有效的消除电弧对产品的影响；
- 5、铜质底盖：铜质底盖与避雷器外导电层紧密结合，使避雷器有效防水，并为避雷器提供接地点；
- 6、接地线：避雷器下端自带的接地线，用于将雷电冲击电压有效接引到接地位置。

- 1、EPDM INSULATION: High quality sulfur cured EPDM insulation is mixed and formulated in-house for complete control of insulation rubber characteristics.
- 2、SEMI-CONDUCTIVE SHIELD: Molded semi-conductive EPDM shield meets requirements of ANSI/IEEE Standard 592.
- 3、ARRESTER CORE: Compose of the zinc oxide lightning arrester valve slice which through special process treatment.
- 4、ARC SNUFFER ASSEMBLY: Arc-ablative plastic produces arc extinguishing gas during load break switching operations.
- 5、PROBE: Probe provides reliable conductive path with mating female contacts.
- 6、GROUNDING WIRE:(Optional for larger grounding wire) Used for impulse voltage effective after leads to grounding position



15kV 200A 单通壁挂  
15kV 200A Parking Bushing

概述 General

15kV 200A单通壁挂为200A接头提供一个接口，主要用于美式箱变，户外环网开关柜和电缆分支箱。与之相连常用的电缆附件有：肘型接头，肘型避雷器及其它200A接头。当接带电肘型接头时，可以隔离，分段带电电缆；接不带电肘型接头时，可以防尘，防水，防潮。

其材料采用高品质的EPDM（三元乙丙橡胶）绝缘，产品外部底座铝压铸件有接地螺栓。

The Parking bushing is designed to be installed in the parking stand mounted on a transformer or other apparatus. It is used together with the cable accessories such as elbow connector elbow surge arrester and the other 200A Load break Accessories. A grounding lug is provided on the stand off bushing bracket for attachment of a drain wire to ensure dead front construction. When mated with a comparably rated product: the insulated stand off bushing provides a fully-shielded: submersible separable connector for energized operation.

The Single-wall has a stainless steel eye bolt with a brass pressure foot. The molded EPDM rubber body is bolted to a stainless steel base bracket using a galvanized steel hold down ring. A completely stainless steel bracket assembly is available for extremely corrosive environments.

标准包装 Kit Contents

- 单通壁挂
- 红色防尘帽（非绝缘保护帽）
- 硅脂
- 清洁纸
- 安装指导说明书
- 产品合格证
- Single-wall
- Covering cap
- Silicone lubricant
- Clearing paper
- Installation instruction sheet
- Quality certificate

订货信息 Orde Information

产品名称 Description	订货编号 Reference No.
15kV 200A 单通壁挂 15kV 200A Single-wall	A DBG-15/200

定货编号说明 Inference Information



外形尺寸图 Dimensions



200A 15kV 接地肘头  
200A 15kV Grounding Elbow

概述 General

15kV 200A 接地肘头是地下电力系统操作程序的首选设备，可以为电缆的检修提供接地引出线，也可以为电缆实验提供引出线。

接地肘头可单独使用或和箱式变压器及环网柜的单、双通套管构成可见电缆接地点。接地肘头由带灭弧的铜质导电杆，铜压接头，高绝缘强度，抗老化的绝缘橡胶浇铸而成，为全绝缘产品，下端带一根2米左右的接地电缆。电缆的外层绝缘强度为600V用于设备试验时将其架空。

15kV 200A Grounding Elbow is the best choice for subterranean power systems. It can provide an grounding outgoing line for checking up the cable in the practical application or examination.

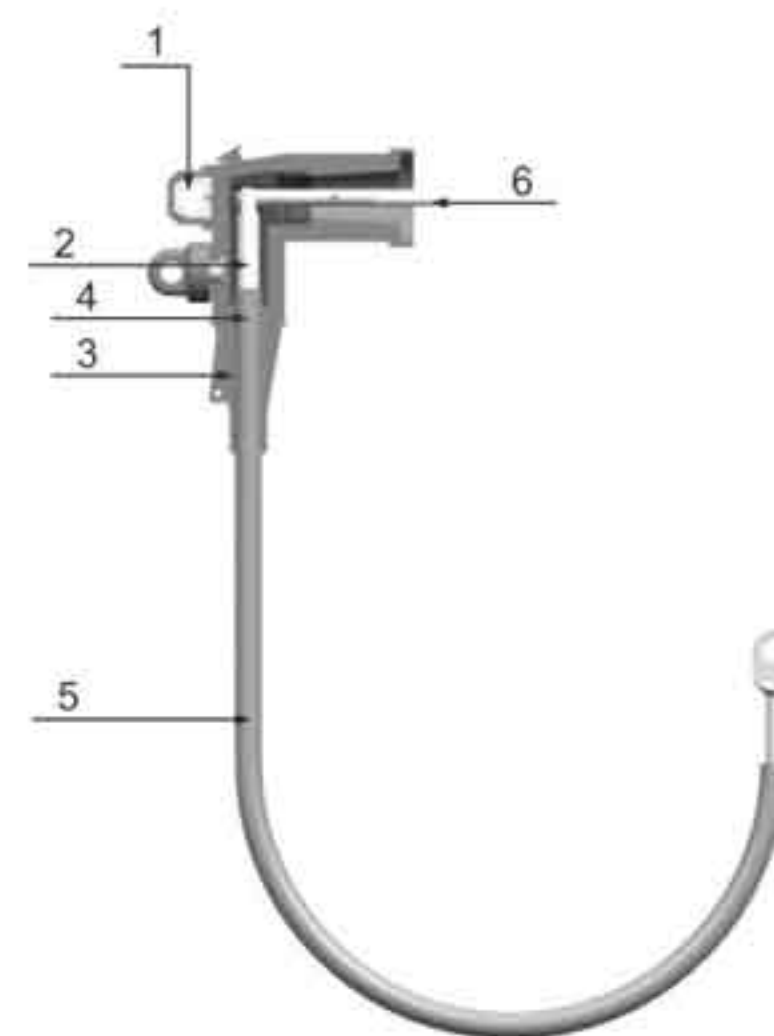
Grounding Elbow could use alone or connect with Bushing Insert, Rotatable Feed thru Insert of padmound transformer and surrounding power supply cabinet, which could structure a visible grounding point.

Grounding Elbow is contains copper conductive contact, copper compression connector and molten with high-insulation, anti-aging insulation rubber. These make the product to be fully shielded. Meanwhile, a 2-meter ground cable connects in the end of Grounding Elbow. The insulation value of grounding cable's outer shield is 600V, so when examination, please overhead

订货信息 Orde Information

产品名称 Description	订货编号 Reference No.	额定电压 Continuous operating voltage	额定电流 Continuous nominal current
15kV 200A 接地肘头 Grounding Elbow	A JDZT-15/200	15kV	200A

定货编号说明 Inference Information



产品构造图  
Illustrate Design Integrity

产品构造 Product Structure

- 1、操作环：不锈钢制成的拉环，保证与绝缘操作杆配套的使用。
- 2、铜质压接端子：使产品和电缆的紧密压接。
- 3、绝缘层：特有配方和混合技术确保预制EPDM绝缘橡胶的优秀品质。
- 4、内半导体层：预制的EPDM导电橡胶有效的控制电气应力。
- 5、600V单芯电缆：电压等级600V，有效接地。
- 6、消弧插入棒：镀锡铜质导电棒带有消弧功能。

标准包装 Kit Contents

- 接地肘头
- 清洁纸
- 硅脂
- 安装指导说明书
- Grounding elbow
- Clearing paper
- Silicone lubricant
- Quality certificate





15kV 200A 母排  
15kV 200A Loadbreak junctions



15kV 200A 母排  
15kV 200A Loadbreak junctions



15kV 200A 母排  
15kV 200A Loadbreak junctions

概述 General

200A 的母排，在电缆分支线路中起到母线的作用。其特点为全绝缘，全密封。200A母排可以与肘型电缆接头、肘型避雷器和200A绝缘帽配合组成电缆多分支线路。其内部有灭弧介质，与肘型接头配合能带负荷拔插。200A母排选用高品质绝缘材料制成。

200A Load break junctions are used in pad-mounted apparatus, underground vaults, and other apparatus to sectionalize, establish loops, taps, or splices, and to facilitate apparatus changeouts. Sectionalizing a cable run to find and isolate a cable fault is made easy when a load break junction is used with 15kV Class load break elbows. When mated with a comparably rated product, the junction provides a fully shielded, submersible, separable connection for load break operation. The body is molded of highquality EPDM.

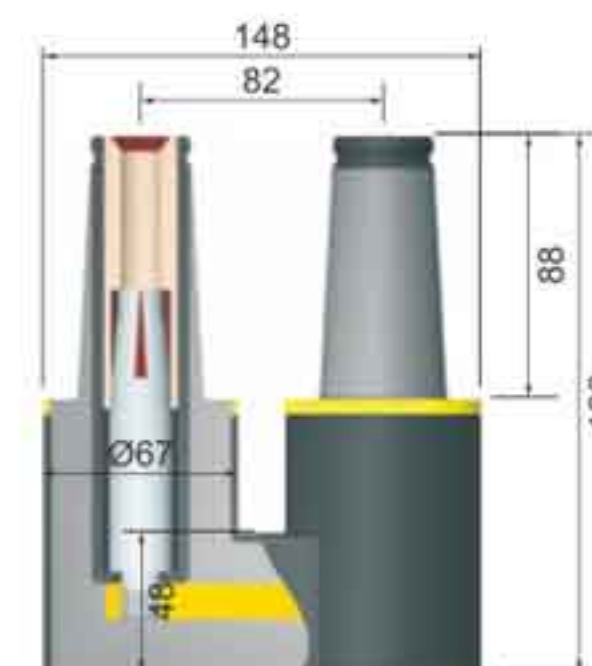
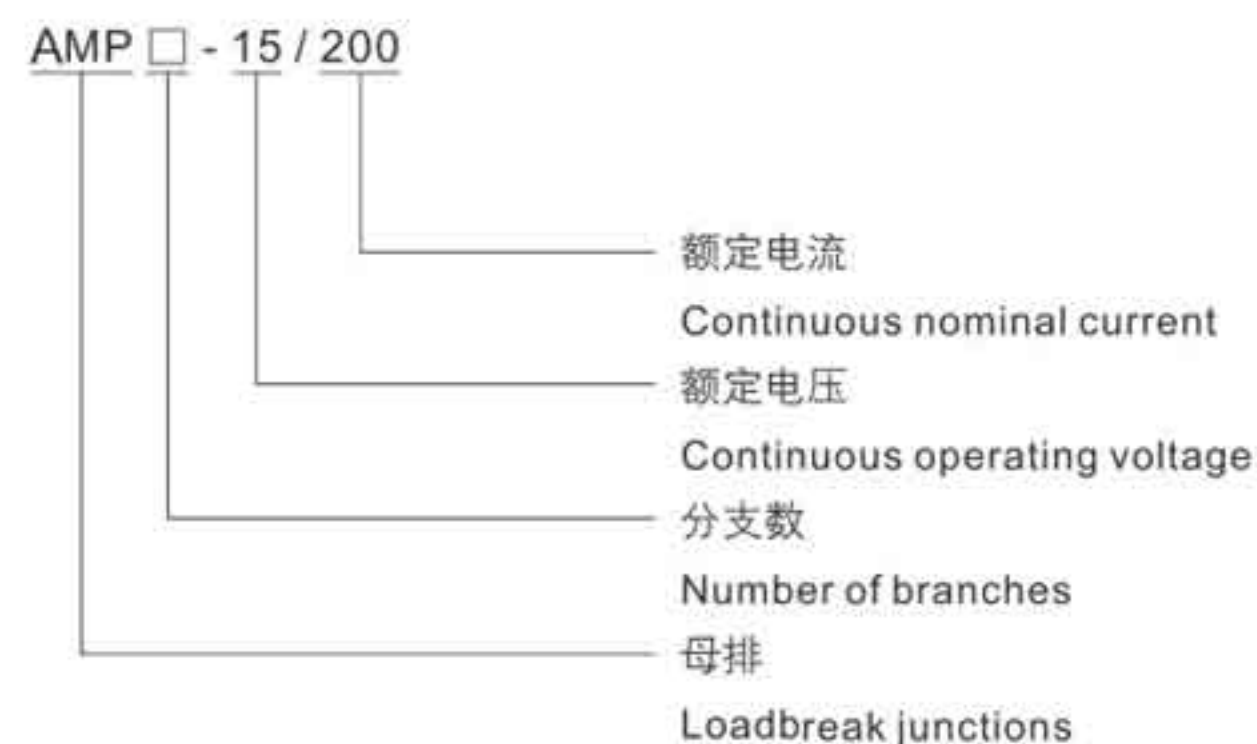
标准包装 Kit Contents

- 母排本体
- 防尘帽（非绝缘保护帽）
- 安装板
- 安装指导说明书
- 产品合格证
- Loadbreak junctions
- Covering cap
- Mounting panel
- Installation Instruction Sheet
- Quality Certificate

订货信息 Order Information

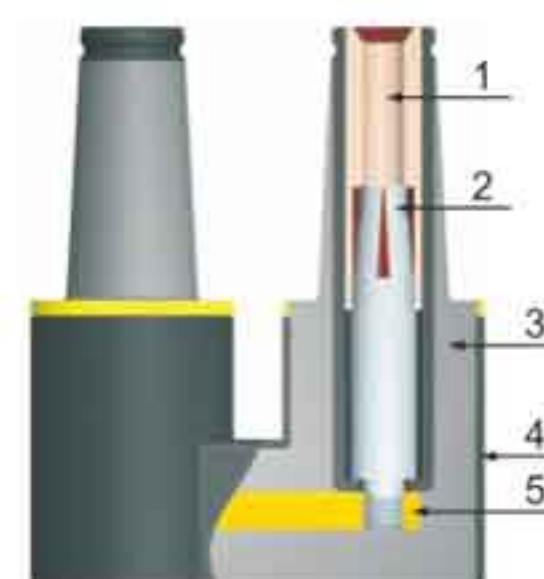
订货编号 Reference No.	分支数 Number of branches
A MP2-15/200	2
A MP3-15/200	3
A MP4-15/200	4

定货编号说明 Inference Information

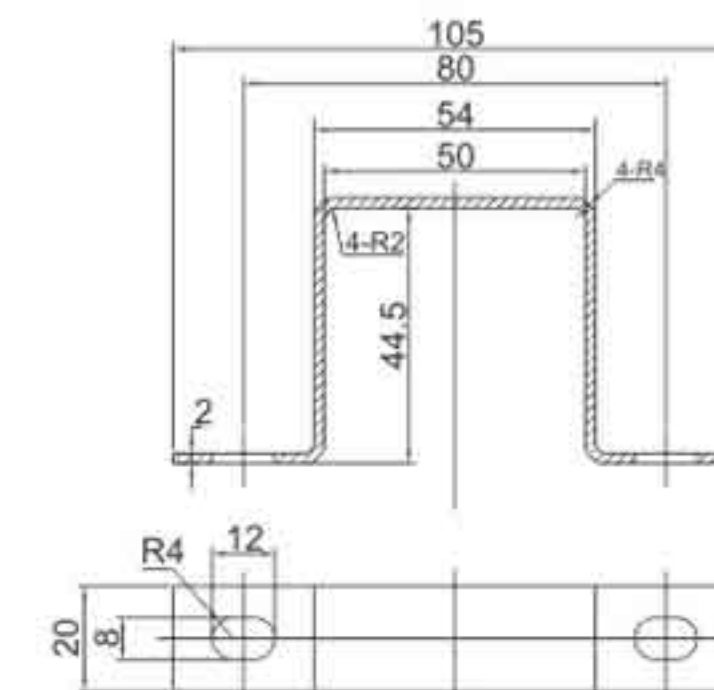


名称	二通 2	三通 3	四通 4
L	139mm	221mm	302mm

200A 母排接口尺寸图



200A 母排接口结构图



产品构造 Product Structure

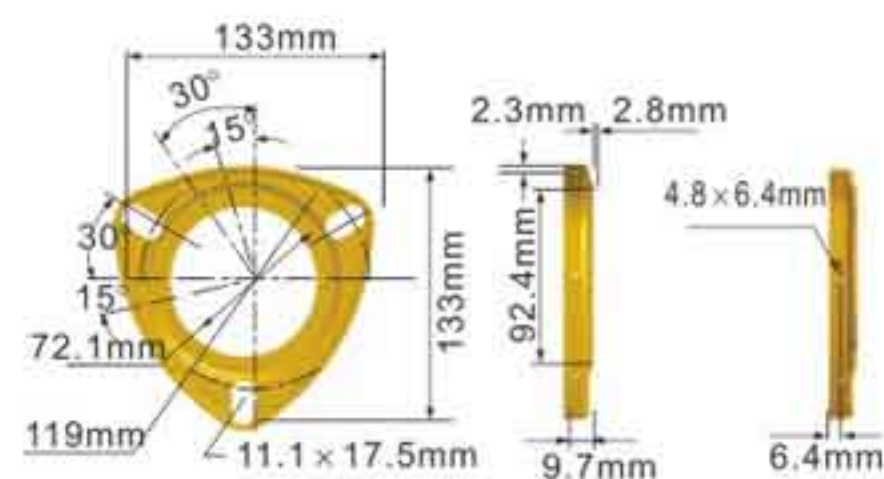
- 1、消弧室：有效消除电缆接头插拔式产生的电弧，保证设备安全运行；
  - 2、铜质接头：铜质接头紧固在铜质导电排上；
  - 3、绝缘层：特有配方和混合技术确保预制EPDM绝缘橡胶的优秀品质；
  - 4、外半导体层：特殊工艺处理的EPDM导电橡胶符合IEEE592标准；
  - 5、铜质导电排：铜材料制成的导电排，保证电流顺畅的同时，能起到良好的冷却作用。
- 1、ARC SNUFFER ASSEMBLY: Arc-ablative plastic produces arc extinguishing gas during loadbreak switching operations.
  - 2、COPPER BUS BAR: Copper fittings are fixed in copper conduction bar.
  - 3、EPDM INSULATION: High quality sulfur cured EPDM insulation is mixed and formulated in-house for complete control of insulating rubber characteristics.
  - 4、SEMI-CONDUCTIVE SHIELD: Molded Semi-conductive EPDM shield meets requirements of ANSI/IEEE Standard 592.
  - 5、COPPER CONDUCTING BAR: The conductive row is made of copper, It can ensure current smooth and play good cooling effect.



15kV 200A 加长套管座  
15kV 200A Insulated Bushing Extender



图一：外形尺寸图  
Figure 1: Dimensions



图二：外形及安装尺寸图  
Figure 2: Dimension Information



图二：产品构造图  
Figure 2: Illustrate Design Integrity

概述 General

15kV 200A 加长套管座, 为200A 电缆接头提供接口, 主要用于户外环网开关柜等设备。安装在户外环网柜上做200A 出线侧。与之相连常用的电缆附件有: 单通套管接头、双通套管接头或单通避雷器等。

其材料为一种环氧树脂, 具有良好的机械和电气性能。独特的伞裙结构增加了爬电距离, 有效提高设备的电气性能。

15kV 200A Insulated Bushing Extenders designed for transformers, outdoor surrounding cable supply cabinet and switch cabinet. Insulated for the 200A outgoing line. 200A 15kV Insulated Bushing Extender connect with bushing insert, rotatable feed thru insert or surge arrester insert.

The Bushing Well is molded using high quality insulating material EPDM, when mated with comparably rated products, it provides a fully shielded insulating connection.

标准包装 Kit Contents

- 加长套管座
- 黑色防尘帽(非绝缘保护帽)
- 密封耐油垫圈
- 清洁纸
- 安装指导说明书
- 产品合格证
- Insulated bushing extender
- Covering cap
- Gasket
- Clearing paper
- Installation instruction sheet
- Quality certificate

订货信息 Order Information

产品名称 Description	订货编号 Reference No.
200A 15kV 加长套管座 200A 15kV Insulated Bushing Extender	AJCTGZ-15/200

定货编号说明 Inference Information

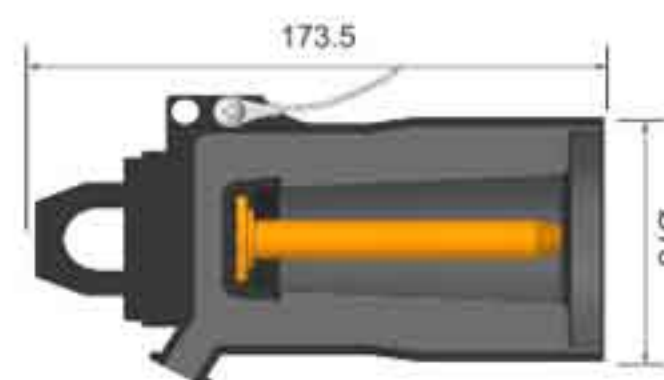


产品构造 Product Structure

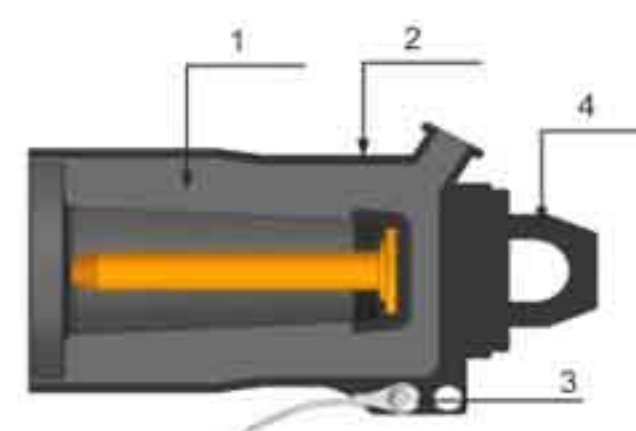
- 1、密封圈槽: 用来放置密封圈, 起到有效的隔绝密封作用。
- 2、加长套管座本体: 由经过APG工艺的环氧树脂制作而成, 具有良好的机械和电气性能。
- 3、导电杆: 经过特殊工艺处理的铜质导电杆能很稳定的与环氧树脂结合, 具有良好的导电性。



25kV 200A 绝缘帽  
25kV 200A Insulated Protective Cap



图一：外形尺寸图  
Figure 1: Dimensions



图二：产品构造图  
Figure 2: Illustrate Design Integrity

概述 General

15/25kV 200A 绝缘帽是带电套管的附属配件, 为带电套管提供绝缘封套, 对不带电的接头提供防尘, 防潮封套。

200A 绝缘帽可以安装在200A 套管、母排及壁挂等设备上, 当母排和电缆接头预留有备用出线时, 必须用200A 绝缘帽将其密封。

15/25kV 200A Insulated Protective Cap is an accessory device designed to electrically insulate and mechanically seal load break bushing interfaces. When mated to a load break product and the drain wire is attached to ground, the Insulated Protective Cap provides a fully shielded, submersible insulating cover for energized bushings. The Insulated Protective Cap can be used for permanent or temporary installation on 200A bushings, junctions or insulated standoff bushing.

标准包装 Kit Contents

- 绝缘帽
- 清洁纸
- 硅脂
- 安装指导说明书
- 产品合格证
- Insulated protective cap
- Clearing paper
- Silicone lubricant
- Installation instruction sheet
- Quality certificate

订货信息 Order Information

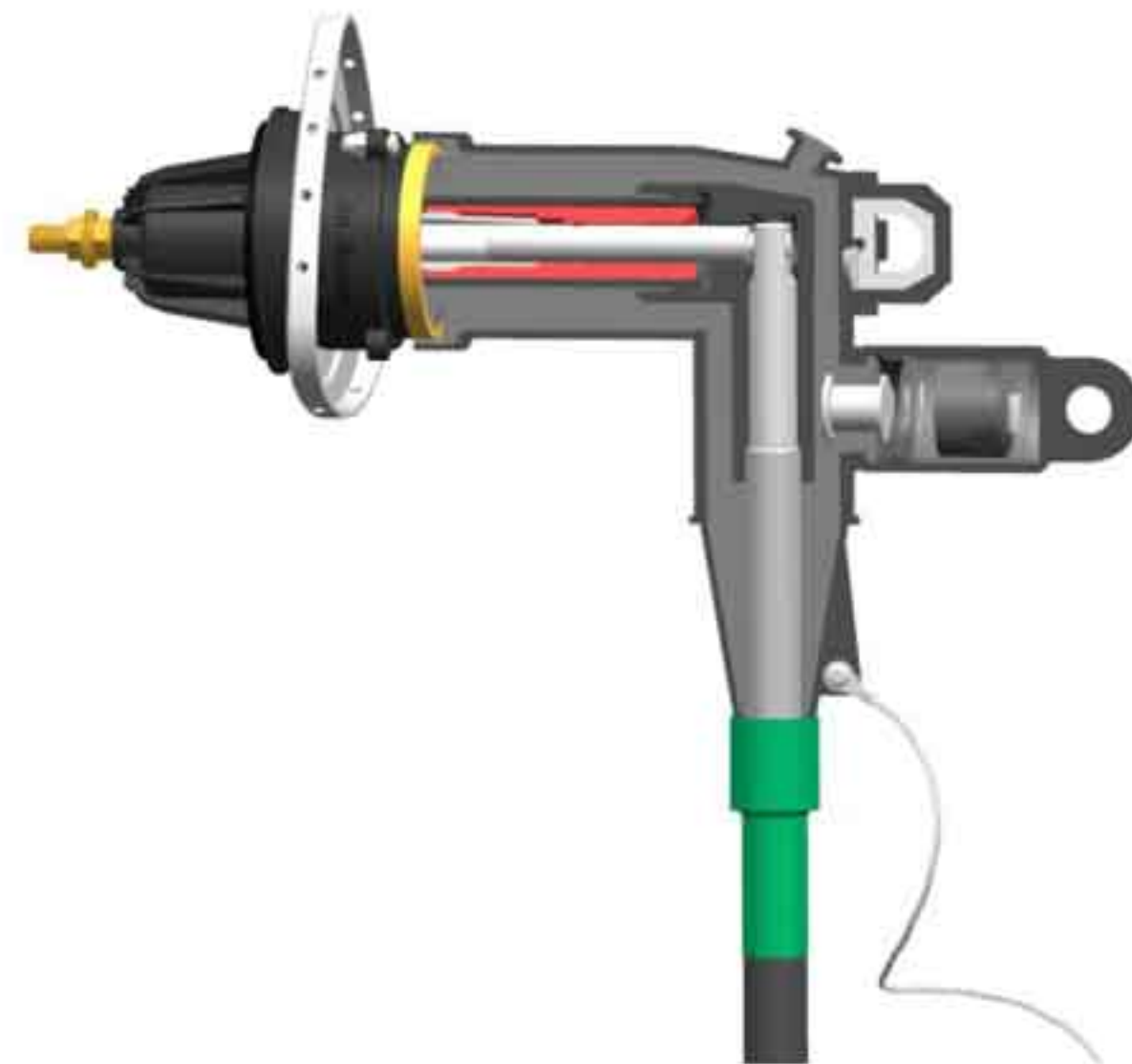
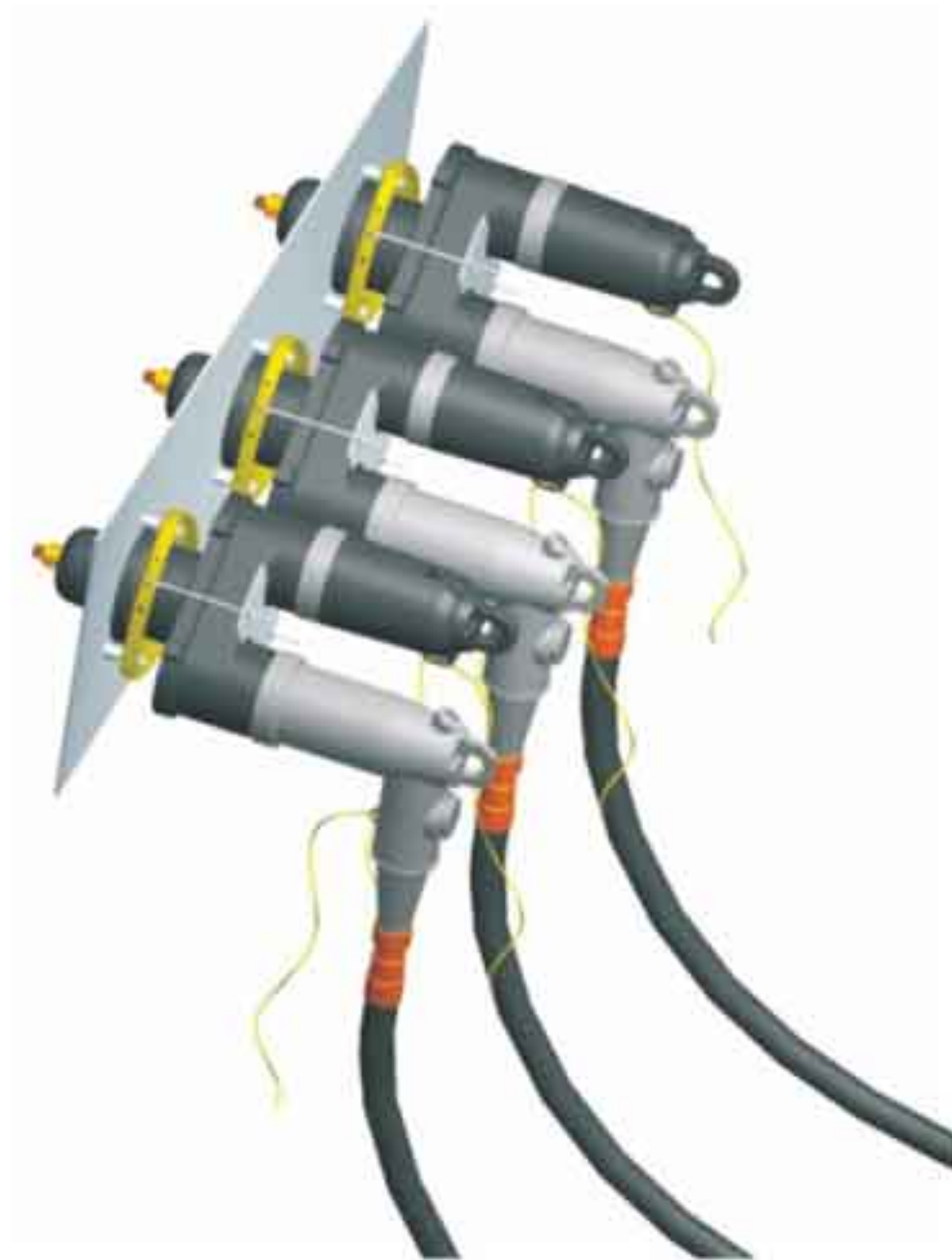
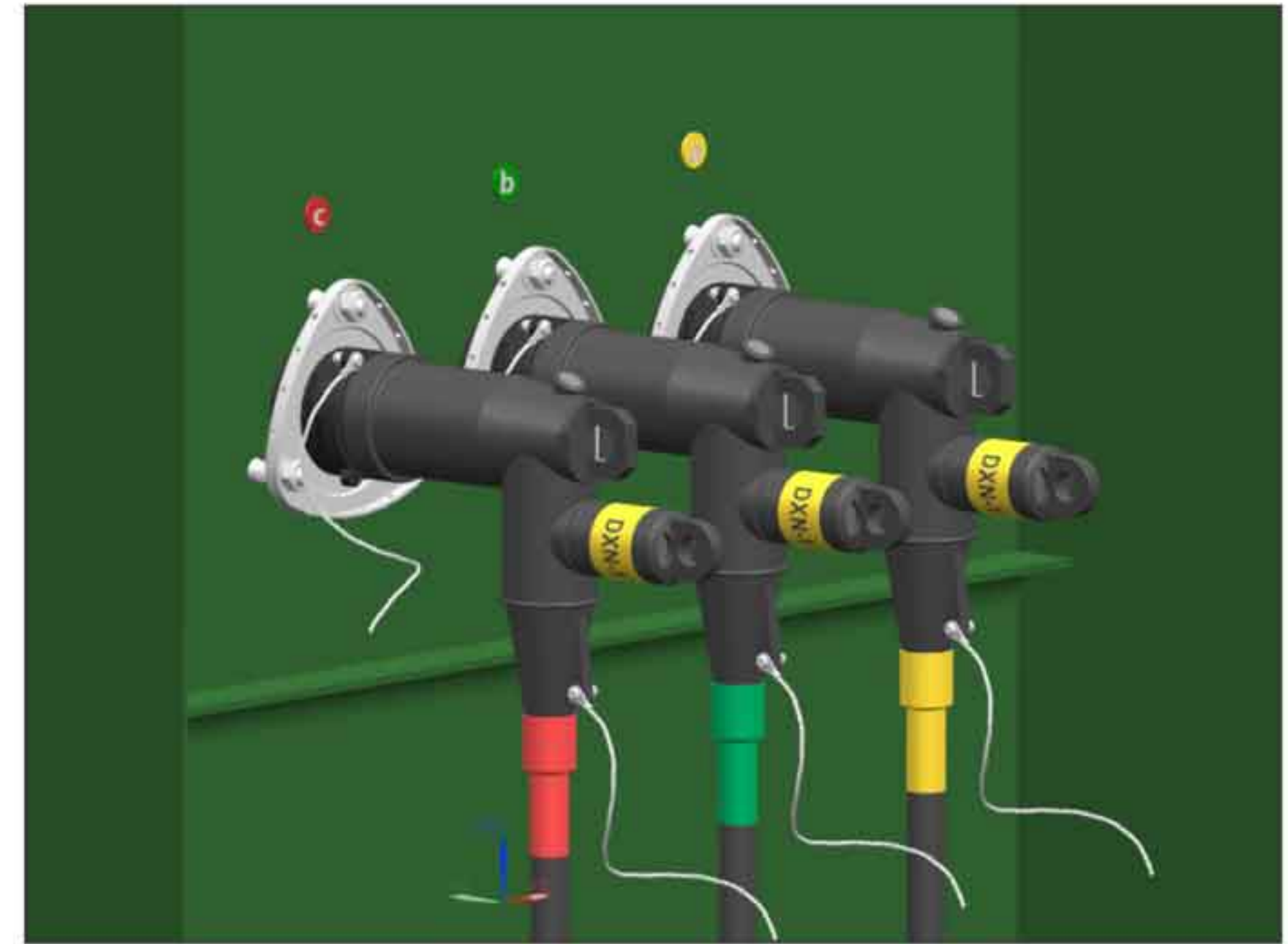
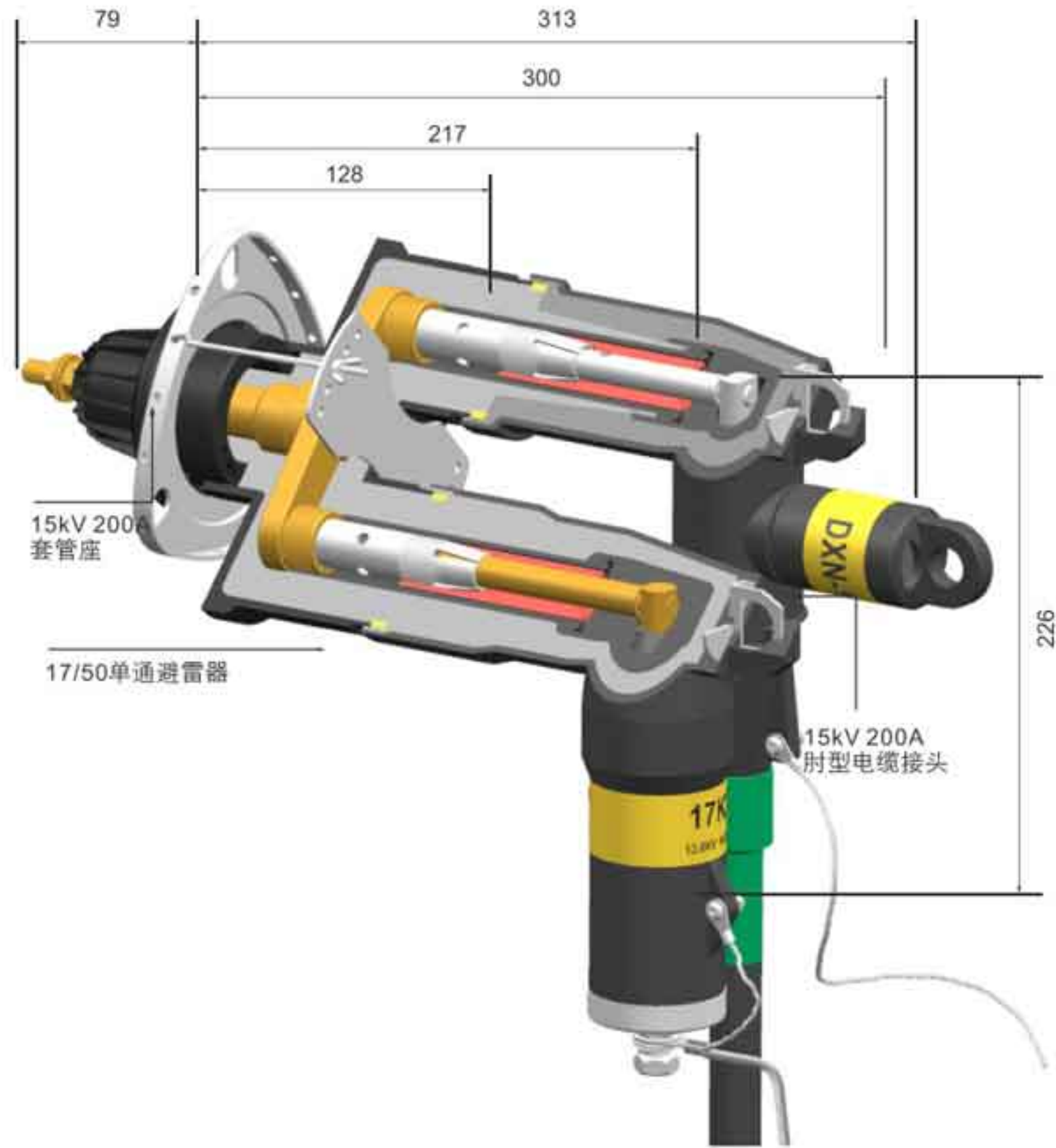
产品名称 Description	订货编号 Reference No.	额定电压 Continuous operating voltage	额定电流 Continuous nominal current
200A 25kV 绝缘帽	A JYM-25/200	25kV	200A

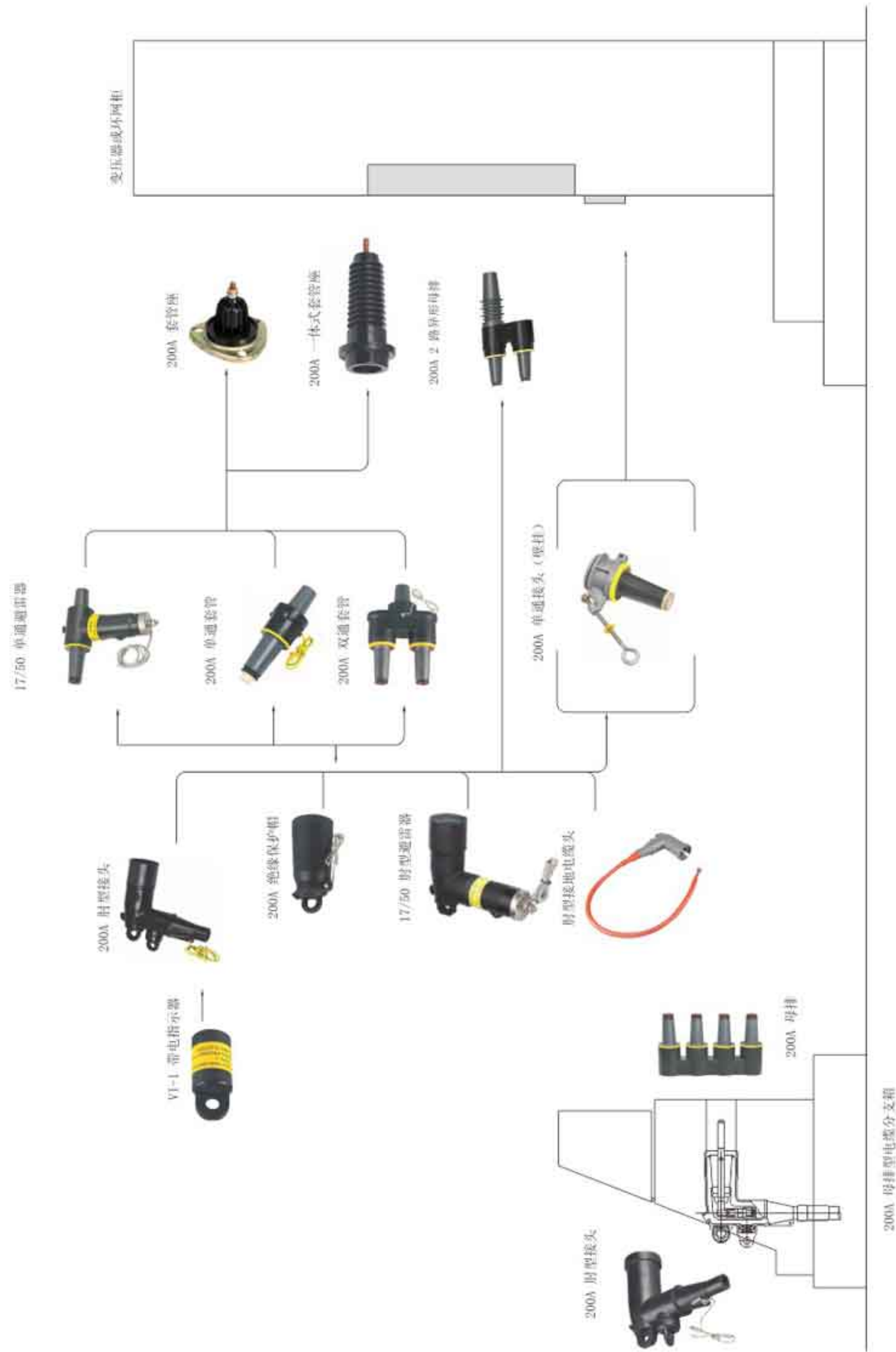
定货编号说明 Inference Information



产品构造 Product Structure

- 1、绝缘层: 特有配方和混合技术确保我们的预制EPDM绝缘橡胶的优质品质。
- 2、外半导体层: 预制的EPDM导电橡胶符合IEEE592标准。
- 3、接地眼: 与外半导体层一体的接地眼, 用于产品的接地。
- 4、操作环: 一体模铸的不锈钢操作环带有弹簧夹固定点;
- 1、INSULATION: High quality, peroxide-cured EPDM rubber formulated, mixed and molded in-house for consistent and reliable field performance.
- 2、SEMI-CONDUCTIVE SHIELD: High quality EPDM rubber provides protective dead front shield that make sure they have grounding
- 3、GROUNDING EYE: Three tabs molded into a semi-conductive shield for the attachment of a ground wire to maintain dead front safety.
- 4、PULLING EYE: Stainless steel reinforced for positive shotgun stick switching operations.





# 细致专业

成为国内最专注最完善  
最值得信赖的电力附件制造企业  
Become the most dedicated most perfect  
The most trusted manufacturer of power attachments

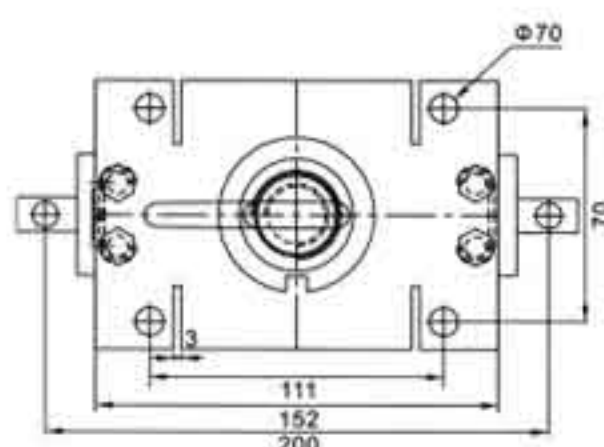


## B 预装式变电站专用配件

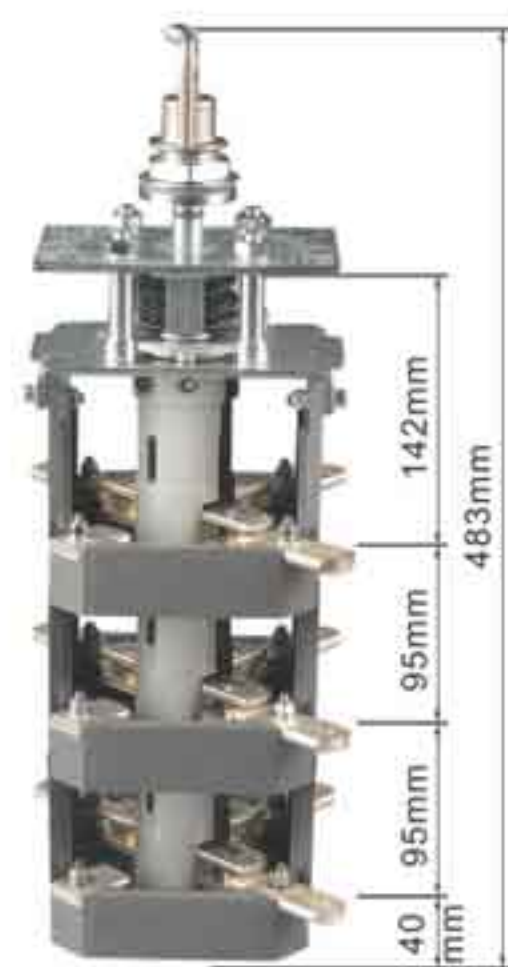
PREFABRICATED SUBSTATION  
SPECIAL ACCESSORIES



ABFY3I-15/630A 油浸式二位置负荷开关  
Two-position Sidewall Switch



安装尺寸图 Mounting Dimensions



产品尺寸图 Dimensions

概述 General

油浸式二位置负荷开关主要用于终端型美式箱变，具有弹簧操作机构，是三相联动开关，可完成负荷的开断和关合操作。

由两个二位置负荷开关也可以组成环网型开关系统，用于环网型配电系统，二工位开关的状态：接通，断开。10kV等级可用于风电项目中使用的变压器。

使用前要随变压器干燥处理。  
符合JB/T10681-2006标准，使用条件符合GB10230规定。

Oil-filled two-position load switch is mainly used for terminal type American box change, with spring operating mechanism, is a three-phase linkage switch to complete the load breaking and closing operation.

By the two two-position load switch can also be composed of ring-type switching system for the ring-type distribution system, two-position switch state: on, off. 10kV rating can be used for wind power projects in the use of transformers.

Before use with the transformer drying.  
Meet JB/T10681-2006 standards, the use of conditions in line with GB10230 regulations.

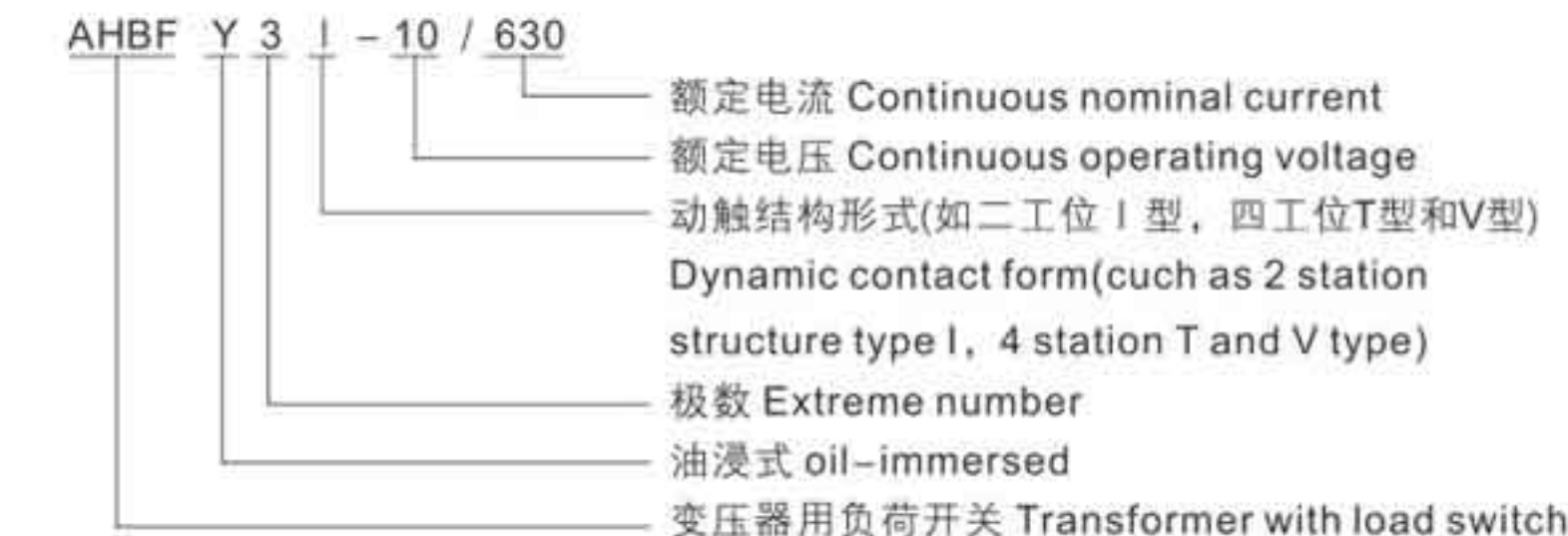
电气性能 Ratings Overview

主要指标 Description	电气参数 Parameters			
额定电压(kV)Continuous operating voltage	6	10	20	35
设备最高电压(kV)Equipment highest voltage	7.2	12	24	40.5
额定雷电冲击耐受电压(kV)BIL and Full Wave Grest	60	75	125	200
额定电流(A)Continuous nominal current	200	315	400	630
短时(2s)热稳定电流(方均根值)(kA) The short(2s)thermal stability of current (party root value)	12.5	16	20	25
额定动稳定电流(峰值)(kA) Dynamic stability rated current(peak)	31.5	40	50	63
机械寿命Mechanical Life(Minimum Operations)	≥2000次times			

订货信息 Order Information

描述 Description	订货编号 Reference No.
油浸式二位置负荷开关 Oil-filled two-position load switch	AH FYN33-2/630

定货编号说明 Inference Information

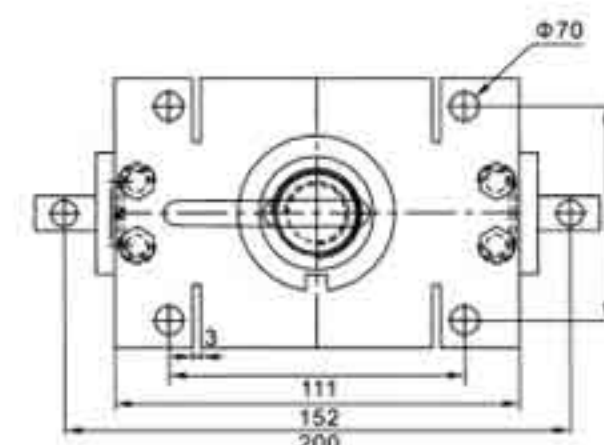


标准包装 Kit Contents

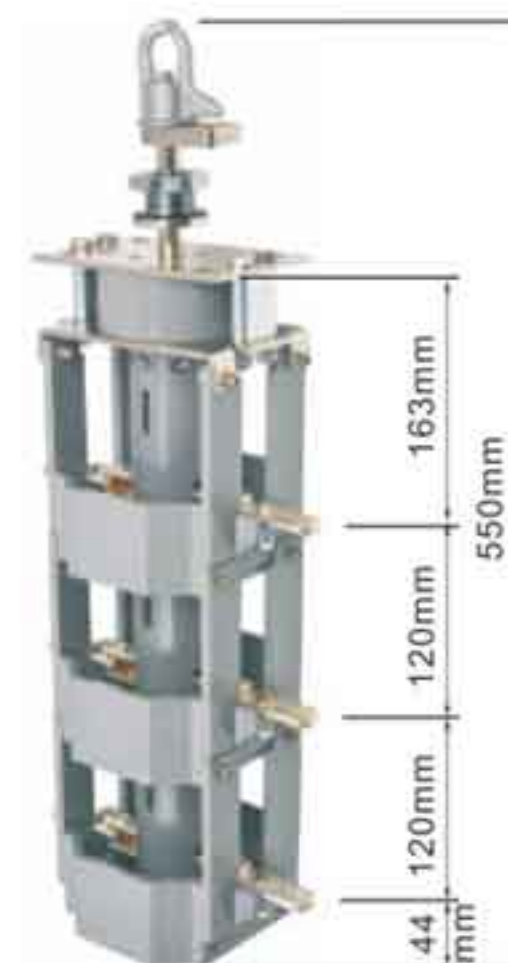
- 负荷开关本体
- 扳手
- 检验报告
- 安装指导说明书
- 合格证
- Two-position sidewall switch
- Wrench
- Inspection Report
- Installation instruction sheet
- Quality certificate



ABFYI-35/630A油浸式二位置负荷开关  
Two-position Sidewall Switch



安装尺寸图 Mounting Dimensions



产品尺寸图 Dimensions

概述 General

油浸式二位置负荷开关主要用于终端型美式箱变，具有弹簧操作机构，是三相联动开关，可完成负荷的开断和关合操作。

由两个二位置负荷开关也可以组成环网型开关系统，用于环网型配电系统，二工位开关的状态：接通，断开。35kV等级可用于风电项目中使用的变压器。

使用前要随变压器干燥处理。  
符合JB/T10681-2006标准，使用条件符合GB10230规定。

Oil-filled two-position load switch is mainly used for terminal type American box change, with spring operating mechanism, is a three-phase linkage switch to complete the load breaking and closing operation.

By the two two-position load switch can also be composed of ring-type switching system for the ring-type distribution system, two-position switch state: on, off. 35kV rating can be used in wind power projects used in the transformer.

Before use with the transformer drying.  
In line with JB / T10681-2006 standards, the use of conditions in line with GB10230 requirements.

电气性能 Ratings Overview

主要指标 Description	电气参数 Parameters			
额定电压(kV)Continuous operating voltage	6	10	20	35
设备最高电压(kV)Equipment highest voltage	7.2	12	24	40.5
额定雷电冲击耐受电压(kV)BIL and Full Wave Grest	60	75	125	200
额定电流(A) Continuous nominal current	200	315	400	630
短时(2s)热稳定电流(方均根值)(kA) The short(2S) thermal stability of current (party root value)	12.5	16	20	25
额定动稳定电流(峰值)(kA) Dynamic stability rated current(peak)	31.5	40	50	63
机械寿命Mechanical Life(Minimum Operations)	≥2000次times			

订货信息 Order Information

描述 Description	订货编号 Reference No.
油浸式二位置负荷开关 Oil-filled two-position load switch	AH FYN33-2/630

定货编号说明 Inference Information

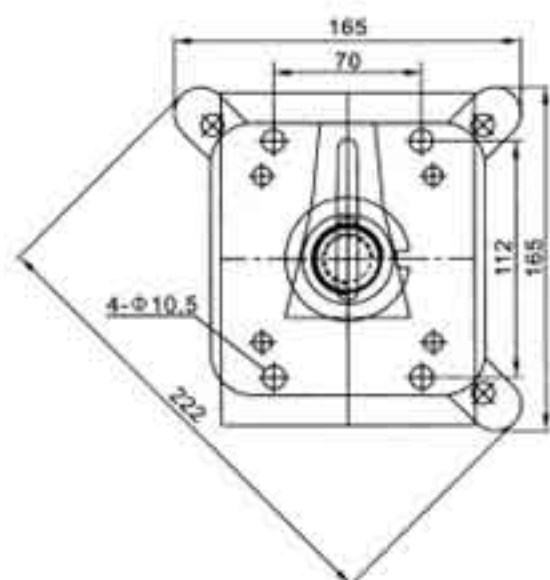


标准包装 Kit Contents

- 负荷开关本体
- 扳手
- 检验报告
- 安装指导说明书
- 合格证
- Two-position sidewall switch
- Wrench
- Inspection Report
- Installation instruction sheet
- Quality certificate



ABFY3T-15/630A 油浸式四位置负荷开关  
Four-position Sidewall Switch



安装尺寸图 Mounting Dimensions



产品尺寸图 Dimensions

概述 General

油浸式四位置负荷开关是专为环网型美式箱变环网柜设计的，满足IEEE、IEC和GB标准的全部要求。可用在接地或不接地系统。

油浸式四位置负荷开关在安装时，靠近变压器铁心可以最大限度减低内部连接电缆的电容，进而大幅降低回路中的铁磁共振。有侧面安装和顶部安装两种开关，可用于普通美式箱变或埋地式变压器。

使用前要随变压器干燥处理。

Oil-filled four-position load switch is designed for ring-type US-box ring change cabinet designed to meet the IEEE, IEC and GB standards of all requirements. Can be used in grounded or ungrounded systems.

Oil-immersed four-position load switch in the installation, close to the transformer core can minimize the internal connection Cable capacitance, and thus significantly reduce the loop in the ferromagnetic resonance. Both side mounting and top mounting are available For general American box transformer or buried transformer.

Before use with the transformer drying.

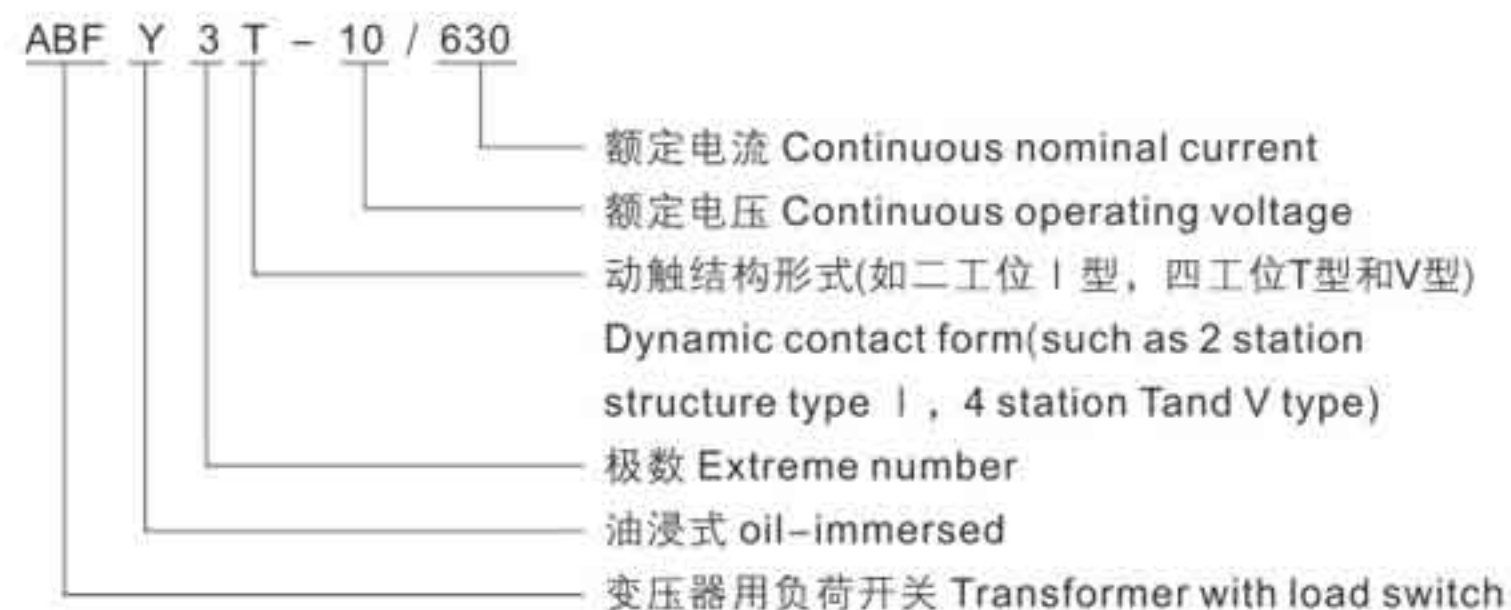
电气性能 Ratings Overview

主要指标 Description	电气参数 Parameters			
额定电压(kV) Continuous operating voltage	6	10	20	35
设备最高电压(kV) Equipment highest voltage	7.2	12	24	40.5
额定雷电冲击耐受电压(kV) BIL and Full Wave Grest	60	75	125	200
额定电流(A) Continuous nominal current	200	315	400	630
短时(2s)热稳定电流(方均根值)(kA) The short(2s)thermal stability of current (party root value)	12.5	16	20	25
额定动稳定电流(峰值)(kA) Dynamic stability rated current(peak)	31.5	40	50	63
机械寿命 Mechanical Life (Minimum Operations)	≥2000次 times			

订货信息 Order Information

描述 Description	订货编号 Reference No.
油浸式四位置负荷开关 Oil-filled four-position load switch	AH BFY3T-12/630A

定货编号说明 Inference Information



标准包装 Kit Contents

- 负荷开关本体
- 扳手
- 检验报告
- 安装指导说明书
- 合格证
- Four-position sidewall switch
- Wrench
- Inspection Report
- Installation instruction sheet
- Quality certificate



概述 General

插入式熔断器用于油浸式箱变过流保护的一个主要配件，内部装入配套的熔丝，即可从多方面（如依据电流大小，油温高低等）对变压器进行保护。插入式熔丝安装方式简单，运行可靠，熔丝更换方便。因此广泛用于美式箱变的高压侧保护。

用于保护变压器和电力系统。可用于普通组合式变压器和埋地式变压器。该熔丝筒内可安装电流型熔丝、双敏熔丝、双因素熔丝以及大电流过载熔丝等等。可独立型熔丝或后备熔断器相配合，可隔断大电流故障，保护电力设备和电网。

双熔丝保护系统目前已成为行业内单相变压器和三相变压器保护的标准方案。

Bay-O-Net Assembly is the brief element of oil-transformer, to protect the equipment when over-current. When install the fuse wire in it, the Bay-O-Net will provide the safe, highly efficient protection, according to the current, oil-temperature.

The Bay-O-Net Assembly is suitable for current sensing fuse wire, dual sensing fuse wire, dual element fuse wire, and ELSP current-limiting backup fuse, etc.

It is suitable for high-voltage power system with alternating current of 50Hz, standard voltage of 15.5kV, current rating of 140A. It must be combining with MagnX Interrupter of ELSP Current-Limiting Backup Fuse to protect transformer from overload and short circuit.

概述 General

双敏熔丝是用于配电系统中油浸式箱变过流保护的一个主要配件，用于插入式熔断器并与后备保护熔断器(即ELSP)配合使用，构成“双熔丝保护”方案。双敏熔丝从电流和温度两方面对变压器低压侧故障或过载进行保护，可以防止由于过载或环境温度所导致的变压器长期升温。双敏熔丝装于插入式熔断器内，更换熔丝方便，安装方式简单，运行可靠，因此广泛用于美式箱变的高压侧保护。

Dual sensing fuse wire is used in Bay-O-Net fuse assemblies to protect distribution apparatus form damaging currents and to protect distribution systems from failed apparatus.

Dual sensing fuse wire not only secondary faults, excessive load currents and transformer fluid temperature. They will limit long-term transformer heating caused by overloads and high temperature environments.



概述 General

限流后备保护熔断器是美式箱变过流保护的主要元件，与插入式熔丝筒内的熔丝(电流型熔丝、双敏熔丝和双因素熔丝等)串联使用，构成“双熔断器保护”方案。

它是油浸式限流型熔断器，用来保护变压器内部故障(线圈短路保护)，通常不动作，后备保护熔断器装置最大开断电流为50kA。

The magne X interrupter is used in series with low current primary protection devices such as a Bay-O-Net Fuse or Magne X The magne X interrupter.

The magne X interrupter highly efficient current-limiting section minimizes the effects of high fault current stresses on equipment and the distribution system. Its minimum interrupting rating is coordinated with that of a low current interrupter to avoid undesirable low current operation; yet its maximum interrupting rating will clear the highest fault currents likely to occur. Higher continuous current ratings can be achieved by connecting two fuses in parallel.





概述 General

插入式熔断器用于油浸式箱变过流保护的一个主要配件，内部装入配套的熔丝，即可从多方面（如依据电流大小，油温高低等）对变压器进行保护。插入式熔丝安装方式简单，运行可靠，熔丝更换方便。因此广泛用于美式箱变的高压侧保护。

用于保护变压器和电力系统。可用于普通组合式变压器和地理式变压器。该熔丝筒内可安装电流型熔丝、双敏熔丝、双因素熔丝以及大电流过载熔丝等等。可独立型熔丝或后备熔断器相配合，可隔断大电流故障，保护电力设备和电网。

双熔丝保护系统目前已成为行业内单相变压器和三相变压器保护的标准方案。

Bay-O-Net Assembly is the brief element of oil-transformer, to protect the equipment when over-current. When install the fuse wire in it, the Bay-O-Net will provide the safe, highly efficient protection, according to the current, oil-temperature.

The Bay-O-Net Assembly is suitable for current sensing fuse wire, dual sensing fuse wire, dual element fuse wire, and ELSP current-limiting backup fuse, etc.

It is suitable for high-voltage power system with alternating current of 50Hz, standard voltage of 15.5kV, current rating of 140A. It must be combining with MagnX Interrupter of ELSP Current-Limiting Backup Fuse to protect transformer from overload and short circuit.

电气性能 Ratings Overview

描述 Description		参数 Parameters	
雷电冲击电压 Impulse withstand voltage		150kV	
1分钟工频耐压 AC withstand voltage, 1min		50kV	

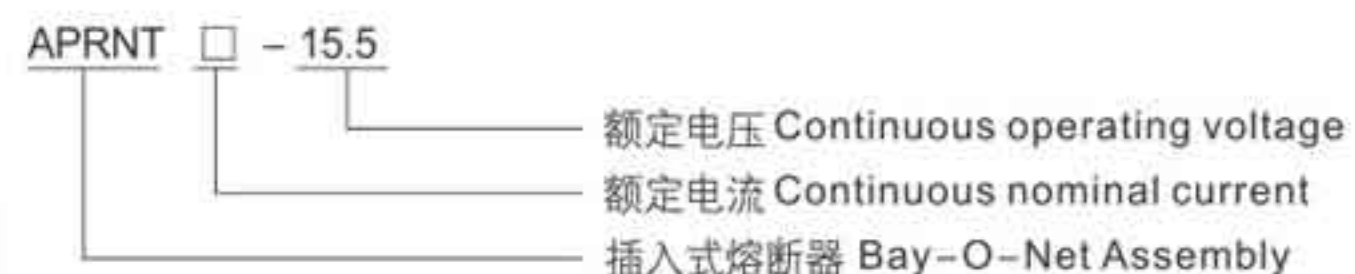
  

电压等级 Voltage	单相开断最大电流 顶部安装/侧面安装 Maximum Single-Phase Interrupting Rating	电压等级 Voltage	负荷开断电流 Thermal circuit
8.3kV	3000A/3500A	10.0kV	160A
15.5kV	2500A/2500A	15.5kV	150A
23kV	1000A/1000A	26.7kV	80A

订货信息 Order Information

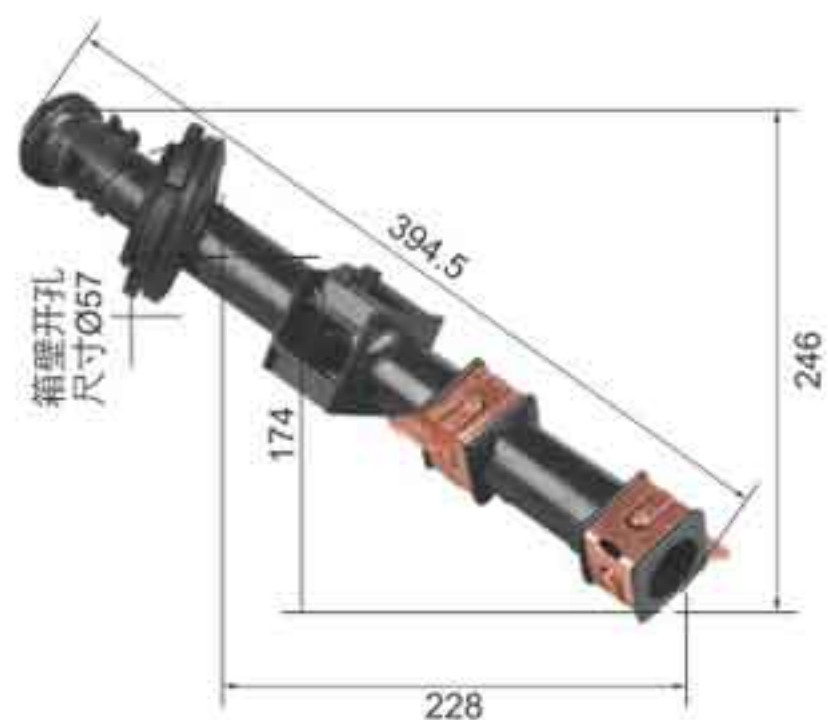
描述 Description	订货编号 Reference No.
插入式熔断器 Bay-O-Net Assembly	AH PRNT□-15.5

定货编号说明 Inference Information



标准包装 Kit Contents

- 熔断器
- 安装使用说明书
- 产品合格证
- Bay-O-Net Assembly
- Installation Instruction Sheet
- Quality Certificate



外形尺寸图  
Dimensions



AH SMRS 双敏熔丝  
AH SMRS Dual Sensing Fuse Wire



概述 General

双敏熔丝是用于配电系统中油浸式箱变过流保护的一个主要配件，用于插入式熔断器并与后备保护熔断器(即ELSP)配合使用，构成“双熔丝保护”方案。双敏熔丝从电流和温度两方面对变压器低压侧故障或过载进行保护，可以防止由于过载或环境温度所导致的变压器长期升温。双敏熔丝装于插入式熔断器内，更换熔丝方便，安装方式简单，运行可靠，因此广泛用于美式箱变的高压侧保护。

Dual sensing fuse wire is used in Bay-O-Net fuse assemblies to protect distribution apparatus from damaging currents and to protect distribution systems from failed apparatus.

Dual sensing fuse wire not only secondary faults, excessive load currents and transformer fluid temperature. They will limit long-term transformer heating caused by overloads and high temperature environments.

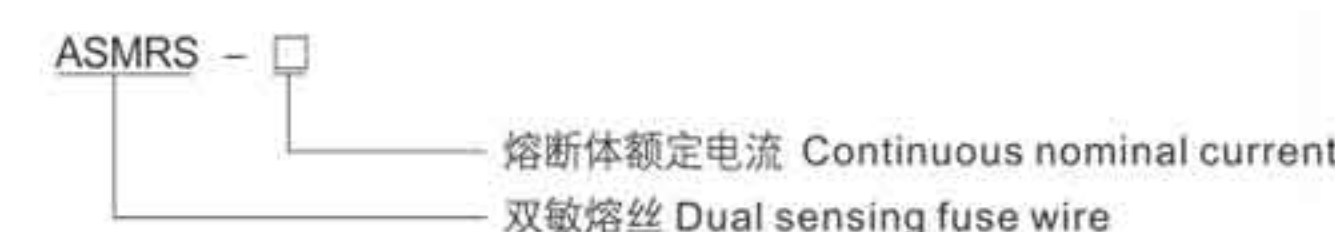
电气性能 Ratings Overview

电压等级 Voltage	单相开断最大电流 Maximum Single-Phase Interrupting Rating	
	直插式顶部安装(不对称) 用于埋地式变压器 Cover Mount Assembly (rms asymmetrical)	斜插式前面板安装(对称) 用于普通组合式变压器 Sidewall Mount Assembly (rms symmetrical)
8.3kV	3000A	3500A
15.5kV	1800A	2500A
23.0kV	600A	1000A

订货信息 Order Information

熔断体额定电流(A) Continuous nominal current (A)	订货编号 Reference No.
6.3	AH SMRS-6.3
10	AH SMRS-10
16	AH SMRS-16
25	AH SMRS-25
40	AH SMRS-40
50	AH SMRS-50
63	AH SMRS-63
100	AH SMRS-100
140	AH SMRS-140

定货编号说明 Inference Information

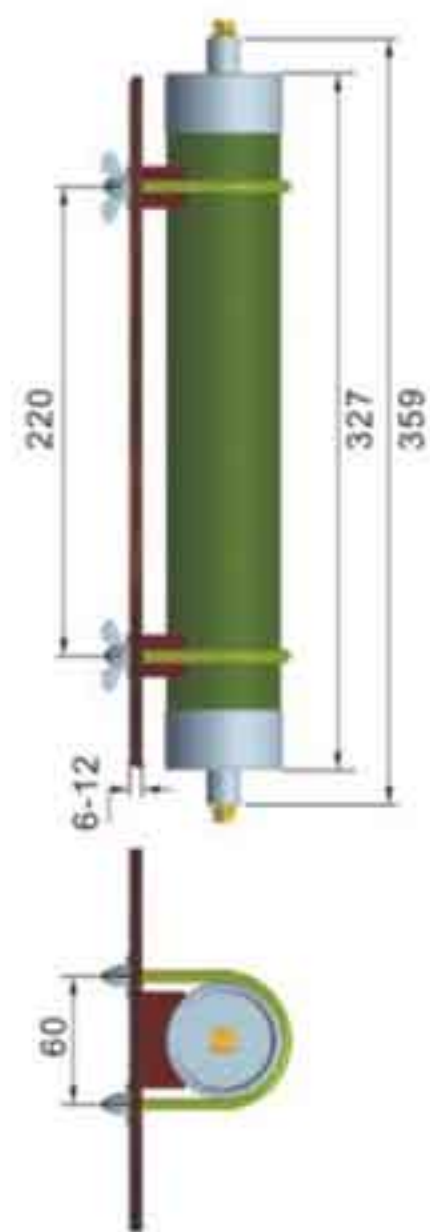


标准包装 Kit Contents

- 双敏熔丝
- 安装使用说明书
- 产品合格证
- Dual sensing fuse wire
- Installation Instruction Sheet
- Quality Certificate



XRNT5-□/15.5 限流后备保护  
XRNT5-□/15.5 Magne X Interrupter



产品尺寸图 Dimensions

概述 General

限流后备保护熔断器是美式箱变过流保护的主要元件，与插入式熔丝筒内的熔丝(电流型熔丝、双敏熔丝和双因素熔丝等)串联使用，构成“双熔断器保护”方案。它是油浸式限流型熔断器，用来保护变压器内部故障(线圈短路保护)，通常不动作，后备保护熔断器装置最大开断电流为50kA。

The magne X interrupter is used in series with low current primary protection devices such as a Bay-O-Net Fuse or Magne X The magne X interrupter.

The magne X interrupter highly efficient current-limiting section minimizes the effects of high fault current stresses on equipment and the distribution system. Its minimum interrupting rating is coordinated with that of a low current interrupter to avoid undesirable low current operation; yet its maximum interrupting rating will clear the highest fault currents likely to occur. Higher continuous current ratings can be achieved by connecting two fuses in parallel.

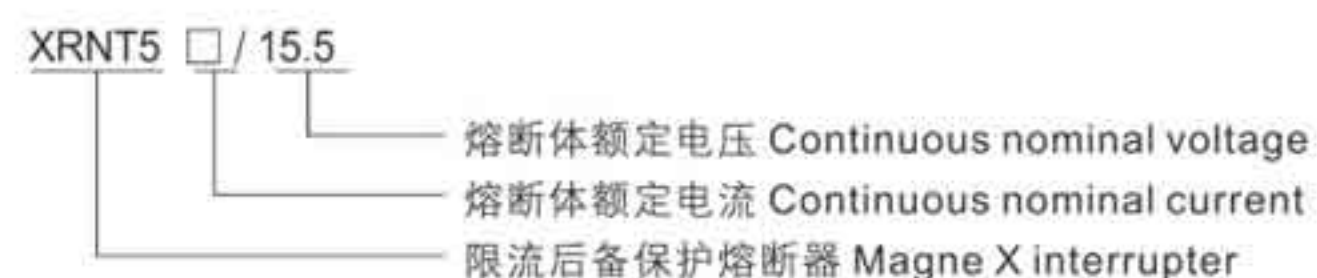
电气性能 Ratings Overview

熔丝类型 Fuse Type	最大开断电流 Maximum Interrupting Current
限流后备保护熔断器 The magne X interrupter	50000A

订货信息 Order Information

熔断体额定电流 Continuous nominal current (A)	订货编号 Reference No.
31.5	31.5
40	40
50	50
63	63
80	80
100	100
125	125
150	150
175	175
200	200

定货编号说明 Inference Information



标准包装 Kit Contents

- 双敏熔丝
- 安装使用说明书
- 产品合格证
- The magne X interrupter
- Installation Instruction Sheet
- Quality Certificate



GZ-1 故障指示器  
GZ-1 Fault Circuit Indicator



产品尺寸图 Dimensions

概述 General

电缆线路型故障指示器，安装在箱式变、环网柜、电缆分支箱、变电站进出线和馈线分支处，通过显示灯的闪烁来判断线路短路故障，以便操作人员迅速查找故障，减少故障停电时间，提高供电可靠性。

Cable-line fault indicator, installed in the box-type change, ring counter, cable branch box, substation inlet and outlet branch and feeder branch, through the flashing light to determine the line short-circuit fault, so that the operator quickly find fault, reduce power failure Time, improve power supply reliability.

性能特征 Features

电缆线路型故障指示器，采用高强度、耐候性极佳的塑料外壳制作而成，适合各种恶劣环境。适合导线线径5-30mm，发生故障后，可按设定的时间自动复位；故障排除、线路送电后可自动复位；也可手动复位。不受线路负荷变化影响，一次安装，长期受益。

Cable circuit fault indicator, using high strength, excellent weather resistance made of plastic shell, suitable for a variety of harsh environments. Suitable for wire diameter 5-30mm, after the failure, according to the set time automatically reset; troubleshooting, line power can be automatically reset; can also be manually reset. Not affected by changes in line load, once installed, long-term benefit.

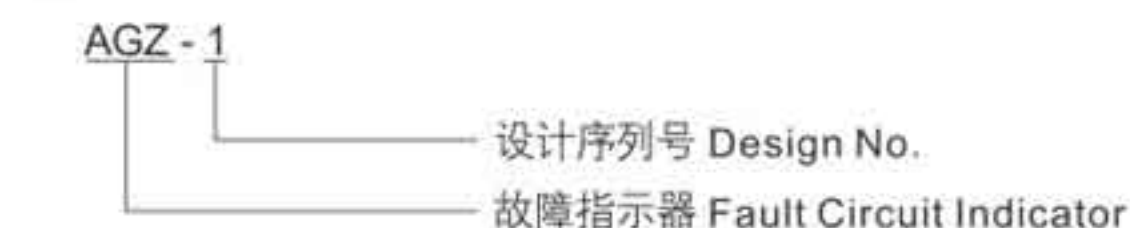
标准包装 Kit Contents

- 故障指示器
- 安装指导说明书
- Fault Circuit Indicator
- Installation Instruction Sheet

订货信息 Order Information

描述 Description	订货编号 Reference No.
故障指示器 Fault Circuit Indicator	A GZ-1

定货编号说明 Inference Information





### 概述 General

短路电流传感器和接地电流传感器分别通过光纤与面板仪表主机插接, 发生故障后传感器将信号通过光纤将信息传递给面板仪表主机进行判断, 然后对应的相指示灯闪烁显示。

The short-circuit current sensor and the ground current sensor are respectively connected with the panel instrument main body through the optical fiber. After the failure, the sensor transmits the signal to the panel mainframe host through the optical fiber to judge.

### 安装位置 Installation Position

- 安装在电缆长线路的首端变电站出口: 可判断是站内或是站外线路中出现故障;
- 安装在用户配变高压进线处: 可判断故障是否因用户端造成;
- 安装在架空线与电缆连接处: 可区分故障是否出现在电缆侧;
- 安装在高压开关柜或环网柜出线分支侧: 可判断出线故障分支。

- Installed at the first substation outlet of the long line of the cable: it can be judged that there is a fault in the station or outside the line;
- Installed in the user into the transformer into high-voltage line: to determine whether the failure caused by the client;
- Installed in the overhead line and cable connection: to distinguish whether the fault occurred in the cable side;
- Installed on the outlet side of high-voltage switchgear or ring main unit: can judge the outlet fault branch.



SJWL-SGFI/P 面板型故障指示器  
Panel Type Fault Indicator

### 故障检测原理 Fault Detection Principle

- 1、短路检测: >检测线路出现短路故障时电流突变, 突变值大于一定数值(可以根据继电保护定值定), 线路在一定的时间内跳闸停电;
- 2、接地检测: >检测接地时电压变化, 电容电流及相位情况, 检测谐波变化, 综合判断确定是否发生接地。

- 1、short-circuit detection:> detection circuit short-circuit fault current mutation, the mutation value is greater than a certain value (according to the relay protection set), the line trip in a certain time power failure;
- 2、ground detection:> detection of ground voltage changes, the capacitor current and phase conditions, detection of harmonic changes, comprehensive judgment to determine whether the occurrence of grounding.

### 功能特点 Features

- 1、为线路发生故障期间排查故障提供帮助和便利。
- 2、根据线路负荷大小及线路走势分布情况, 合理制定故障指示器安装位置。
- 3、线路正常运行时, 指示器处于复位状态, 无任何指示。
- 4、当线路放生短路或接地故障后, 线路故障抢修人员根据指示器闪灯状态排查出故障所在区域。
- 5、产品复位时间出厂默认时间为12h(复位时间可根据客户需求进行调整)。
- 6、该产品对于线路故障排查提供有力帮助, 便于轻松查出故障位置;
- 7、缩短停电时间, 进一步提高供电量;
- 8、产品安装无需停电, 免费提供专业安装工具, 拆卸便利。

- 1、for the failure of the line during troubleshooting troubleshooting to provide help and convenience.
- 2、according to the size of line load and line distribution of the situation, the rational development of fault indicator installation location.
- 3、the line normal operation, the indicator is in the reset state, without any indication.
- 4、when the line release short-circuit or ground fault, the line fault repair personnel according to the indicator flash status to troubleshoot areas where the fault.
- 5、the product reset time Factory default time is 12h (reset time can be adjusted according to customer needs).
- 6、the product troubleshooting for the line to provide a powerful help, easy to find fault location;
- 7、to shorten the power outage time, and further improve the power supply;
- 8、product installation without power outages, free professional installation tools, demolition convenience.

### 技术参数 Technical Parameters

- 短路故障动作电流: 600A
- 接地故障动作电流: 20A
- 适用电压等级: 6-35KV
- 适用导线电流:  $I \leq 1000A$
- 环境温度:  $-35^{\circ}C \leq T \leq +75^{\circ}C$
- 动作自动复位时间: 8H(1 H ~ 24H可选)
- 动作次数:  $\geq 5000$ 次
- 安装尺寸: 显示器面板主机开孔尺寸91.5mm(公差4-0.3mm)X 43.5mm(公差 $\pm 0.3$ mm)
- 显示盒尺寸: 90(L) X 42(W)mm
- 防护等级: 显示器IP40传感器IP65
- Short circuit fault current: 600A
- Ground fault operating current: 20A
- Applicable voltage level: 6-35KV
- Applicable lead current:  $I \leq 1000A$
- Ambient temperature:  $-35^{\circ}C \leq T \leq +75^{\circ}C$
- Auto reset time: 8H (1 H ~ 24H optional)
- The number of action:  $\geq 5000$  times
- Installation size: Display Panel Host hole size 91.5mm(Tolerance 4-0.3mm) X 43.5mm (tolerance  $\pm 0.3$ mm)
- Display box size: 90 (L) X 42 (W) mm
- Protection class: Display IP40 sensor IP65



架空型二合一故障指示器  
Overhead in Fault Indicator

### 概述 General

SJWL-SGFI/II 接地短路二合一指示器配电路分支很多, 故障频发, 查找线路故障是电力线路维护人员比较头疼的事情, 查找一个接地故障有时候半天时间, 有的从早上找到晚上, 在内蒙有的要找几天。因此安装故障指示器可以大大提高供电可靠性, 减轻劳动强度大, 缩短停电时间。

SJWL-SGFI / II two-in-one indicator shorted to ground distribution circuit branch a lot of frequent failure to find fault line is the power line maintenance personnel headache thing to find a ground fault sometimes half a day, some from the morning to find the evening, In Inner Mongolia have to find a few days. Therefore, installation of fault indicators can greatly improve the reliability of power supply, reduce labor intensity, shorten the power outage time.

### 产品功能 Product Features

短路故障、单相接地故障检测, 白天翻牌报警方式。  
Short-circuit fault, single-phase ground fault detection, daytime flop alarm.

### 产品原理 Principle of Product

- 1、短路检测: 检测线路出现短路故障时电流突变, 突变值大于一定数值(可以根据继电保护定值设定), 线路在一定的时间内跳闸停电
- 2、接地检测检测接地时电压变化, 电容电流及相位情况, 检测谐波变化, 综合判断确定是否发生接地。

- 1、Short-circuit detection: detection circuit short-circuit fault current mutation, the mutation value is greater than a certain value (set according to the relay protection settings), the line trip within a certain time outage
- 2、Ground detection Detection of ground changes in voltage, current and phase of the capacitor, detect harmonic changes, comprehensive judgment to determine whether the ground.

### 功能特点 Features

- 1、为线路发生故障期间排查故障提供帮助和便利。
- 2、根据线路负荷大小及线路走势分布情况, 合理制定故障指示器安装位置。
- 3、线路正常运行时, 指示器处于复位状态, 无任何指示。
- 4、当线路发生短路或接地故障后, 白天指示器自动转动指示转碗, 变为红色报警指示状态; 线路故障抢修人员根据指示器指示状态排查出故障所在区域。
- 5、产品复位时间出厂默认时间为12h(复位时间可根据客户需求进行调整)。
- 6、该产品对于线路故障排查提供有力帮助, 便于轻松查出故障位置;
- 7、缩短停电时间, 进一步提高供电量;
- 8、产品安装无需停电, 免费提供专业安装工具, 拆卸便利。
- 1、It helps and troubleshoots faults during line failures.
- 2、According to the size of the load line and the distribution trend of the line, a reasonable fault indicator to install the installation location.
- 3、When the line is in normal operation, the indicator is in the reset state without any indication.
- 4、When the line short-circuit or ground fault, the day indicator automatically turn indicator bowl, into a red alarm indication state; line fault repair personnel under the indicator indicates the status of the row Locate the fault location.
- 5、Product Reset Time The default time is 12h (reset time can be adjusted according to customer needs).
- 6、The product for the troubleshooting of lines to provide a powerful help to easily identify the fault location;
- 7、Shorten the power outage time, and further improve the power supply;
- 8、Product installation without power outages, free professional installation tools, demolition convenience.

### 技术参数 Technical Parameters

- 适用电压等级: 6KV~35KV
- 适用导线电流:  $I \leq 1000A$
- 适用导线线径:  $1.6mm^2 \leq d < 450mm^2$
- 动作响应时间:  $0.02S \leq \Delta T < 3S$
- 动作复位时间: 6H, 12H, 24H, 36H可选(复位时间可根据客户需求选择)
- 动作次数:  $\geq 5000$ 次
- 电池寿命:  $\geq 8$ 年
- Applicable voltage level: 6KV ~ 35KV
- Applicable lead current:  $I \leq 1000A$
- Applicable wire diameter:  $1.6mm^2 \leq d < 450mm^2$
- Action response time:  $0.02S \leq \Delta T < 3S$
- Action reset time: 6H, 12H, 24H, 36H can be Election (reset time can be selected according to customer demand)
- The number of action:  $\geq 5000$  times
- Battery life: 8 years



ADXN 带电指示器  
Hot Line Voltage Indicator

概述 General

带电指示器可与200A或250A的肘型、T型电缆接头的电压（电容）测试点连接，有助于操作员判断电缆是否带电。

半导电的外壳，环氧树脂制成的部件以及超强的密封性，使该指示器适用于多种条件。指示器不需要额外电源即可正常工作。当电压值超过2kV P-g时，指示器内的氖气灯就会有闪烁提示。

The charge indicator can be connected to a voltage (capacitance) test point of a 200A or 250A elbow, T-type cable connector to help the operator determine whether the cable is live.

Semi-conductive housings, parts made of epoxy resin and superior tightness make the indicator suitable for a variety of conditions. Indicators do not require additional power to work properly. When the voltage value exceeds 2kV P-g, the neon lamp in the indicator will flash.

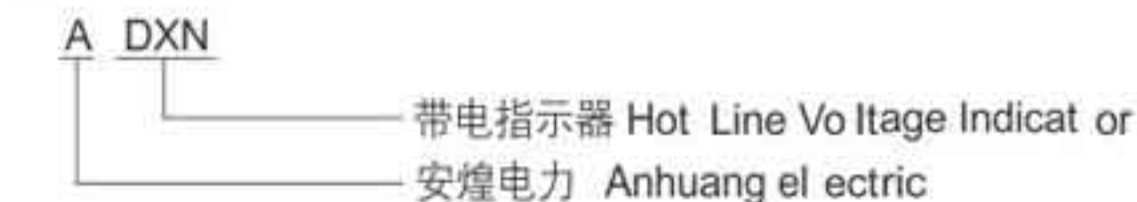
标准包装 Kit Contents

- 带电指示器
- 安装指导说明书
- Hot Line Voltage Indicator
- Installation Instruction Sheet

订货信息 Order Information

描述 Description	订货编号 Reference No.
带电指示器 Hot Line Voltage Indicator	A DXN

定货编号说明 Inference Information



ADXN-II 欧式带电指示器  
ADXN-II Hot Line Voltage Indicator

A DXN-II 欧式带电指示器

A DXN-II European Hot Line Voltage Indicator

概述 General

三相集中式带电指示器与对接套管或一体式套管上的感应端子相连。

The three-phase centralized charging indicator is connected to the sensing terminal on the butt-fitting bushing or the integral bushing.

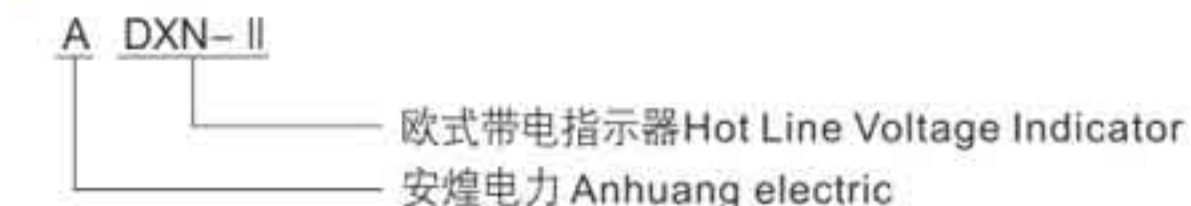
标准包装 Kit Contents

- 欧式带电指示器
- 安装指导说明书
- Hot Line Voltage Indicator
- Installation Instruction Sheet

订货信息 Order Information

描述 Description	订货编号 Reference No.
欧式带电指示器 Hot Line Voltage Indicator	A DXN-II

产品装箱参数 Package Information



AYZ 70 真空压力表  
AYZ 70 Vacuum Manometer

A YZ 70 真空压力表

A YZ 70 V acuum pressure gauge

箱变的测压仪表，可直接反映出箱变随环境温度变化造成的内部压力变化。

Box changes in pressure measurement instruments, can directly reflect the box changes with the ambient temperature changes caused by internal pressure.



ABWS-70 变压器温度计  
ABWS-70 Transformer Thermometer

A BWS-70 变压器温度计

A BWS-70 Transformer Thermometer

安装在变压器侧壁作温度测量的仪表。

Install to the lateral wall of transformer to be a meter for temperature survey.



AYSF 压力释放阀  
AYSF Pressure Release

A YSF 压力释入阀

A YSF Pressure Release Valve

主要用于使容器内的气体压力不超过预定值。

keeping the air pressure below the schedule value.



AUHZ-01 箱变油位计  
AUHZ-01 Oil Level Indicator to Transformer

A UHZ-01 箱变油位计

A UHZ-01 Oil Level Indicator to Transformer

取代连通式玻璃液位计，具有安全、直观、可靠、寿命长等特点。  
Replaced the Interconnected Glass Liquid-meter, it designs to be security, longevity, and easy to sight.



**A G/CZG 绝缘操作杆**

A G/CZG Insulated operating rod

操作电缆头、负荷开关或绝缘封帽等。  
Apply for Cable connector, sidewall switch or insulator protective cap.



**A DYDZ-□ 低压端子**

A DYDZ- □ Depression Connector

箱式变低压侧输出端子，分400A、630A、1000A、1600A、2000A。  
Connect to depression side of transformer. The current range is 400A, 630A, 1000A, 1600A, 2000A.



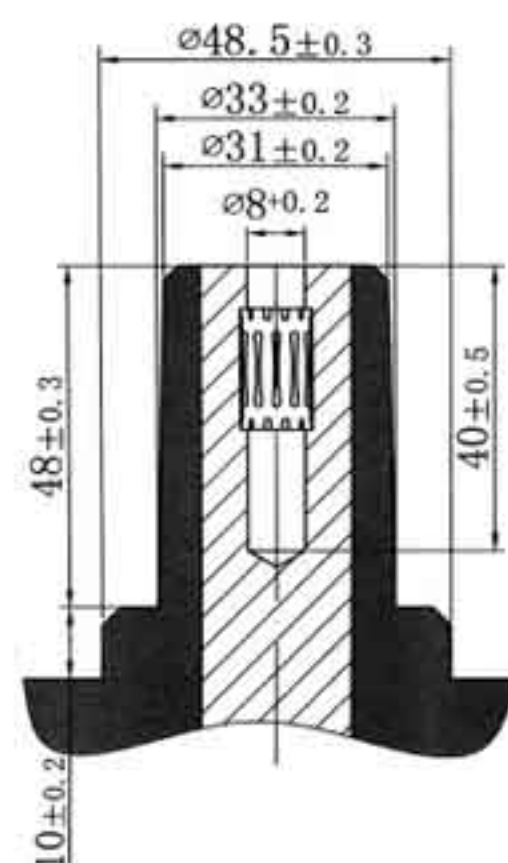
**细致专业**

成为国内最专注最完善  
最值得信赖的电力附件制造企业  
Become the most dedicated most perfect  
The most trusted manufacturer of power attachments

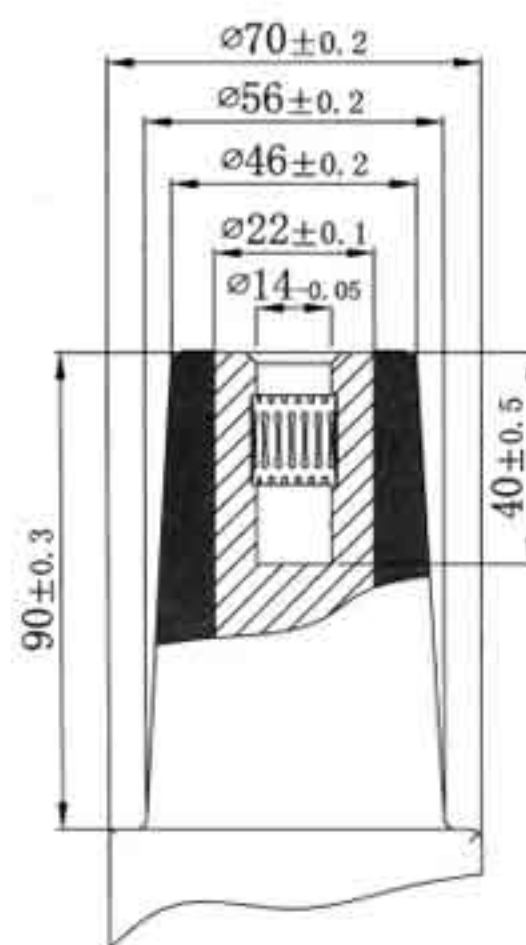


**C 25kV 250A 系列电缆附件**

25KV 250A SERIES  
OF CABLE ACCESSORIES



250A标准接口  
符合CENELEC EN501810和50181  
250A Interface Dimensions According to  
CENELEC EN501810 & 50181 (in mm).



400A标准接口  
符合CENELEC EN501810和50181  
400A Interface Dimensions According to  
CENELEC EN501810 & 50181 (in mm).

执行标准 Implementation of standards

- DIN47636-7-1990带有伸出锥体的电力电缆可分附件套, Um 在35kV以下套管和可分连接件装置尺寸;
- ANSI IEEE592-1990高压电缆接头和可分离绝缘连接器的外露半导体护套;
- GB/T12706额定电压1kV(Um=1.2kV)以上至30kV(Um =35kV)挤出绝缘电力电缆及其附件;
- IEC61442额定电压6kV(Um =7.2kV)至30kV(Um =35kV)电力电缆附件试验方法;
- GB12706-2008额定电压1kV(U m=1.2 kV)至35 kV(Um=40.5kV)挤出绝缘电力电缆及其附件;
- GB311.1-2012高压输电设备的绝缘配合;
- GB/T4109.1999高压套管技术条件;
- GB11032.2010交流无间隙金属氧化避雷器;
- DIN47636-7-1990带有伸出锥体的电力电缆可分附件套,U<sub>m</sub> 在35 kV以下套管和可分连接件装置尺寸。
- DIN 47636-7-1990 Power cable with extension cones, separable, with Um below 35kV Sub-connector device size;
- Exposed Semiconductor Sheaths for High - Voltage Cable Fittings and Detachable Insulated Connectors; IEEE.
- IEC60502 Extruded insulated power cables with rated voltages from 1 kV (Um = 1.2 kV) to 30 kV (Um = 35 kV) and annex;
- IEC61442 Test methods for accessories for power cables with rated voltages from 6kV (Um = 7.2kV) to 30kV (Um = 35kV);
- GB12706-2002 Extruded insulated power cables with rated voltages from 1 kV (U m = 1.2 kV) to 35 kV (Um = 40.5 kV)And its annexes;
- GB311.1-1997 high-voltage power transmission and distribution equipment with the insulation;
- GB / T41.9.1999 high-voltage casing technical conditions;
- GB11032.2010 AC non-gap metal oxide surge arresters;
- DIN 47636-7-1990 Power cables with extended cones, separable, with Um below 35kV Sub - connector device size.

电压特性 Continuous voltage ratings

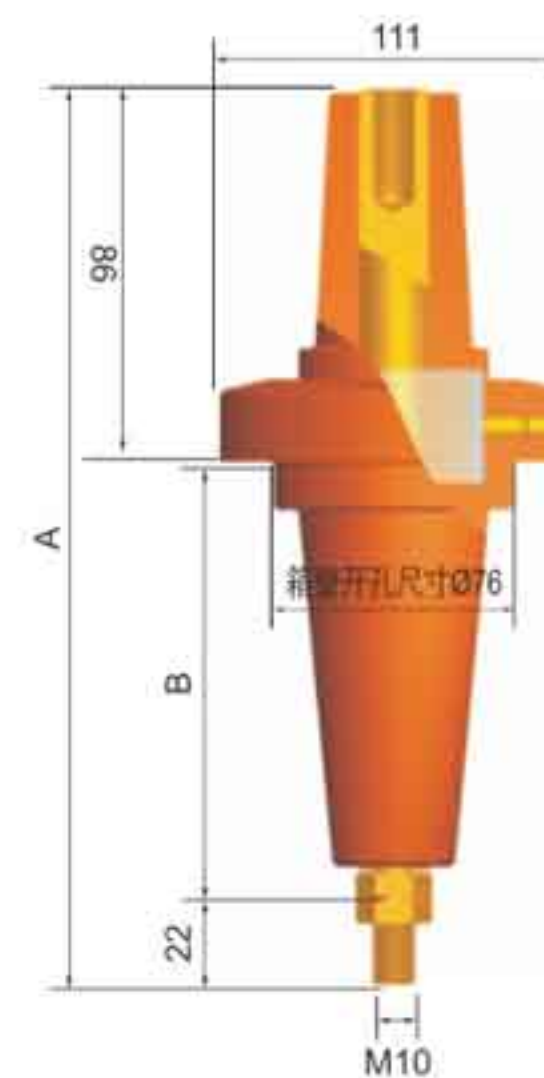
项目 Item	15kV参数 Parameter	25kV参数 Parameter	35kV参数 Parameter
额定电压 Continuous operating voltage	8.7kV/15kV	12/20kV 18/20kV	26kV/35kV
工频耐压 AC withstand voltage	45kV/1min	55kV/5min	117kV/5min
直流耐压 DC withstand voltage	53kV/15min	78kV/15min	104kV
雷电冲击耐压 1.5/50 μ s Impulse with stand voltage	95kV	125kV	215kV
局部放电电压<10PC Partial discharge voltage	13kV	20kV	45kV

电流性能Current rating

项目 Item	250AMP	600AMP
热稳定电流 Heat stable current	16kA 1S	30kA 2S
动稳定电流 Peak withstand current	40kA	105kA



25kV 250A 套管座  
25kV 250A Apparatus Bushing



外形尺寸图  
Dimensions

概述 General

25kV 250A套管座, 为250A电缆接头提供接口, 主要用于美式箱变、户外环网开关柜等设备。安装在美式箱变的一侧和高压绕组连接, 安装在户外环网柜上做250A出线侧。

其材料为一种环氧树脂, 具有良好的机械和电气性能, 符合EN50180/EN50181 DIN47636/HN5。

25kV 250A Apparatus Bushing provide the interface for the 200A Cable connector and mostly used on the oil-insulated(R-temp, hydrocarbon, or silicon apparatus, including switchgear, transformers, and capacitors.

The Apparatus Bushing are molded using high quality Epoxy Rubber, mee the requirement of standard EN50180/EN50181 DIN47636/HN52-S-61.

标准包装 Kit Contents

- 套管座
- 防尘盖
- 安装指导说明书
- 产品合格证
- Apparatus bushing
- Covering cap
- Installation instruction sheet
- Quality certificate

订货信息 Order Information

产品名称 Description	订货编号 Reference No.
25kV 250A 套管座 Apparatus Bushing	AH TGZ-25/250

定货编号说明 Inference Information



尺寸表 Dimension Sheet

规格型号 Specification	产品尺寸 Dimension	
	A	B
A TGZ-25/250 (标准) Standard	224	108
A TGZ-25/250S (短) Short	189	73
A TGZ-25/250L (长) Long	284	168

概述 General

25kV 250A套管座, 为250A电缆接头提供接口, 主要用于美式箱变、户外环网开关柜等设备。安装在美式箱变的一侧和高压绕组连接, 安装在户外环网柜上做250A出线侧。

其材料为一种环氧树脂, 具有良好的机械和电气性能, 符合EN50180/EN50181 DIN47636/HN5。

25 kV 250A Apparatus Bushing provide the interface for the 200A Cable connector and mostly used on the oil-insulated(R-temp, hydrocarbon, or silicon) apparatus, including switchgear, transformers, and capacitors.

The Apparatus Bushing are molded using high quality Epoxy Rubber, meet the requirement of standard EN50180/EN50181 DIN47636/HN52-S-61.

标准包装 Kit Contents

- 套管座
- 防尘盖
- 安装指导说明书
- 产品合格证
- Apparatus bushing
- Covering cap
- Installation instruction sheet
- Quality certificate

产品装箱参数 Package Information

- 3只/盒 重量: 3.72kg 体积: 12cm × 31cm × 26cm
- 3pcs/box W/G: 3.72kg Vol: 12cm × 31cm × 26cm

订货信息 Order Information

产品名称 Description	订货编号 Reference No.
25kV 250A 加长套管座 Lengthen Apparatus Bushing	A JCTGZ-25/250

定货编号说明 Inference Information



25kV 250A 加长套管座  
25kV 250A Lengthen Apparatus Bushing



外形尺寸图  
Dimensions



25kV 250A 肘型电缆接头  
25kV 250A Loadbreak Elbow Connector

性能 Features

- 当与合适的套管或插头配合时, 提供全屏蔽和密封可分离连接。可长期在水下或其它恶劣条件下运行。
- 内置式电容测试点可以安装带电指示器以确定线路状态
- 无最小相间安全距离要求
- 安装可以是垂直、水平或任意角度。
- Provides a fully screened and fully submersible separable connection when mated with the proper bushing or plug.
- Built-in capacitive test point to determine the circuit status or install a fault indicator.
- No minimum phase clearance requirements.
- Mounting can be vertical, horizontal, or any angle in between.

应用 Application

- 用于连接电缆与变压器、开关柜、电缆分接箱等设备
- 适用于户内和户外安装
- 系统电压最高25kV
- 持续额定电流250A (300A过载可持续8小时)
- 电缆特性
  - 聚合物绝缘电缆 (XLPE、ERP等)
  - 铜或铝导体
  - 具有半导体或金属屏蔽
  - 导体尺寸25~120mm<sup>2</sup>
- For connection of polymeric cable to transformers, switchgear, motors and other equipment with a pre-molded separable connector.
- For indoor and outdoor installations.
- System voltage up to 25 kV.
- Continuous current 250 A (300 A overload for 8 hours).
- Cable particulars:
  - Polymeric cable (XLPE, EPR, etc.)
  - Copper or aluminum conductors
  - Semiconducting or metallic screens
  - Conductor size 25~120 mm<sup>2</sup>

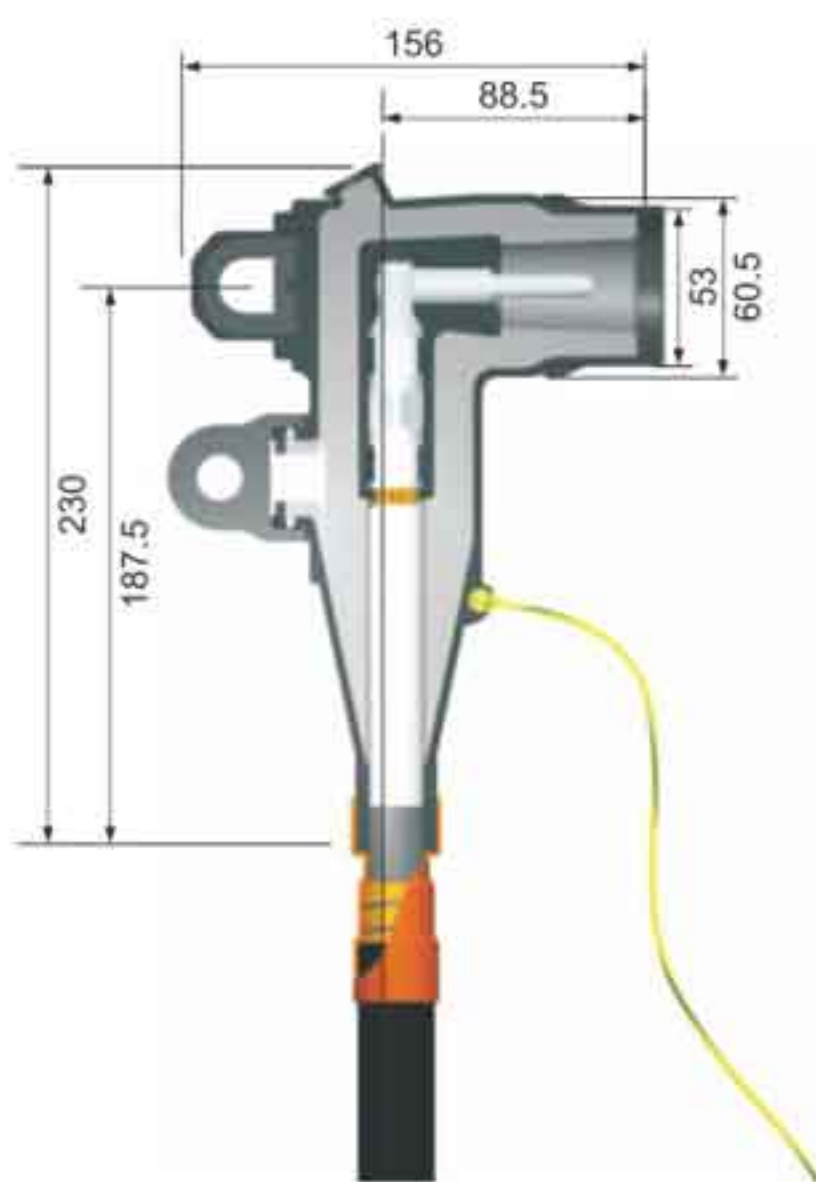
标准 Standards

满足GB/T 12706.4-2002及IEC 60502.4-2005标准的要求。  
Will meet the requirements of GB/T 12706.4-2002及IEC 60502.4-2005.

电气性能 Ratings Overview

主要指标 Description	主要参数 Parameters
最高系统电压 (Um) Maximum system voltage	25kV
冲击耐压 Impulse withstand voltage	125kV
交流耐压 (5分钟) AC withstand voltage, 5min	54kV
持续额定电流 Continuous operating current	250A
过载电流 (最长8小时) Overload (8 hrs. Max.)	300A
短时耐受电流 Short circuit withstand	12.5kA/1s

注: 额定值基于IEC标准, 不代表其最大性能。  
REMARK: All the data based on the standards IEC, Not the limited.



图一：外形尺寸图  
Figure 1: Dimensions

标准包装 Kit Contents

- 肘型电缆接头
- 铜或铝质压接端子
- 安装压板
- 插拔杆
- 清洁纸
- 硅脂
- 安装指导说明书
- 产品合格证
- Elbow connector
- Copper or Aluminium Conductor cable lug
- Loadbreak Probe
- Steel Installation Tool
- Clearing Paper
- Silicone Lubricant
- Installation Instruction Sheet
- Quality Certificate

订货信息 Order Information

根据国内电缆厂家按照GB/T12706标准生产的8.7/10kV电缆尺寸，我们推荐250A肘型电缆接头订货编号如下表：

The cable meet the requirements of GB/T12706 in 7/10kV, the order information as following.

订货编号 Reference No.	多股线芯绞成同心电 缆的截面积 (mm <sup>2</sup> ) Conductor cross section (mm <sup>2</sup> )	电缆绝缘层外径尺寸 (mm) Stretch range over insulation (mm)	对应代码 Size of stress cone
A ZT-10/250-25	25	16.3-19.9	A
A ZT-10/250-35	35	16.3-19.9	A
A ZT-10/250-50	50	16.3-19.9	A
A ZT-10/250-70	70	19.8-23.5	B
A ZT-10/250-90	95	23.1-27.1	F
A ZT-10/250-120	120	23.1-27.1	F

注：选型时以电缆绝缘直径为准，导体截面为参考。

NOTE: The cable range is the basic element for choosing the product's type. The conductor size is just for a reference.

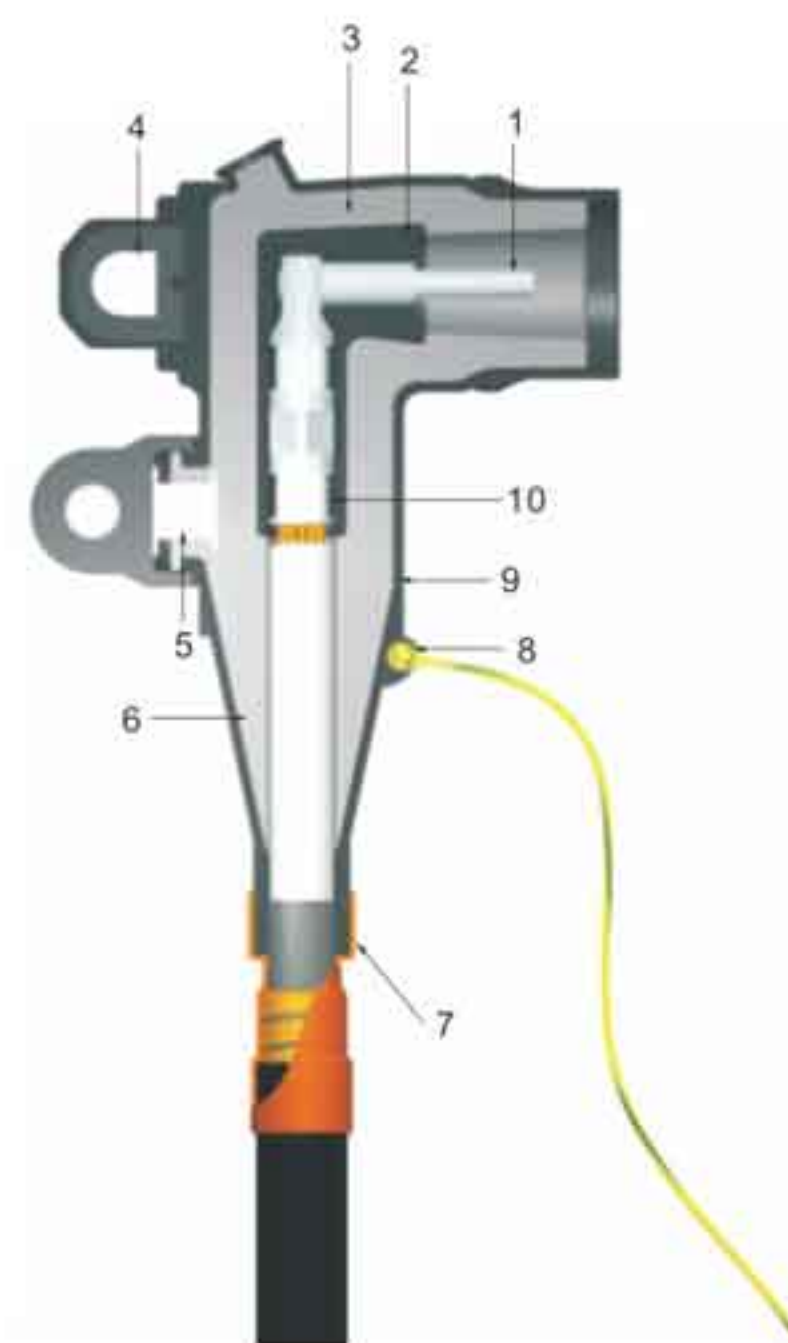
根据国内电缆厂家按照GB/T12706标准生产的12/20kV电缆尺寸，我们推荐250A肘型电缆接头订货编号如下表：

The cable meet the requirements of GB/T12706 in 12/20kV, the order information as following.

订货编号 Reference No.	多股线芯绞成同心电 缆的截面积(mm <sup>2</sup> ) Conductor cross section (mm <sup>2</sup> )	电缆绝缘层 外径尺寸(mm) Stretch range over insulation (mm)	对应代码 Size of stress cone
A ZT-25/250-35	35	23.1-27.1	F
A ZT-25/250-50	50	23.1-27.1	F
A ZT-25/250-70	70	23.6-26.4	H
A ZT-25/250-90	95	23.6-26.4	H
A ZT-25/250-120	120	27.9-33.5	J

注：选型时以电缆绝缘直径为准，导体截面为参考。

NOTE: The cable range is the basic element for choosing the product's type. The conductor size is just for a reference.



图二：产品构造图  
Figure 2: Illustrate Design Integrity

定货编号说明 Inference Information



安装 Installation

- 无需任何特殊工具，包带或填充；
- 电缆接头安装到相关部件后立即通电运行；
- 可与符合EN50180/EN50181 DIN47636/HN52-S-61标准规定的套管、接头或母排设备配合。
- Provides a fully screened and fully submersible separable connection when mated with the proper bushing or plug.
- Built-in capacitive test point to determine the circuit status or install a fault indicator.
- No minimum phase clearance requirements.
- Mounting can be vertical, horizontal, or any angle in between.

产品构造 Product Structure

- 1、导电杆：用随箱提供的内六角扳手将镀锡的铜导电杆拧进导体连接器中；
  - 2、内半导体层：预制的EPDM导电橡胶有效的控制电气应力；
  - 3、绝缘层：特有的配方和混合技术确保预制EPDM绝缘橡胶的优质品质；
  - 4、拉环：一体模铸的不锈钢拉环带有棘爪便于夹具定位；
  - 5、电压测试点：用于测试线路是否带电需要和带电指示器配合；
  - 6、应力释放：外半导体层和绝缘的锥形几何结构用于释放电气应力；
  - 7、电缆插入口：开口的尺寸提供的接口配合保证可靠密封；
  - 8、接地眼：预注到外半导体层中用于接地线的连接；
  - 9、外半导体层：预制的EPDM导电橡胶与电缆屏蔽的配合实现屏蔽连续，并确保外半导体层处于接地状态；
  - 10、压接端子：两种压接端子全铜端子及铜铝压接端子分别使用。
- 1、Conducting Rod: Tin-plated copper pin screws into the conductor contact with the supplied hex key.
  - 2、SEMI-CONDUCTIVE INSERT: Moulded EPDM conducting rubber screen controls electrical stress.
  - 3、Insulation: Moulded EPDM insulating rubber is formulated and mixed in-house to ensure high quality.
  - 4、Pulling Eye: Encapsulated stainless steel pulling eye with a detent to position the bail.
  - 5、Capacitive Test Point: Capacitive test point provides means to check circuit status. Amoulded EPDM conducting rubber cap provides a watertight seal.
  - 6、Stress Relief: The configuration of the outer screen and the cable adapter provide cable stress relief.
  - 7、Cable Adapter: The sized opening provides and interference fit to maintain a watertight seal.
  - 8、Grounding Eye: Moulded into the external screen for connection of an earthing wire.
  - 9、SEMI-CONDUCTIVE SHIELD: Moulded EPDM conducting rubber mates with the cable screen to maintain screen continuity and ensure that the assembly is at earth potential.
  - 10、Conductor Cable lug: Inertia welded bimetallic compression connector accepts copper or aluminum conductors.



250A 25kV 直通式电缆接头  
250A 25 kV Straight connector

性能 Features

- 当与合适的套管或插头配合时，提供全屏蔽和密封可分离连接。可长期在水下或其它恶劣条件下运行。
- 内置电容测试点可以安装带电指示器以确定线路状态
- 无最小相间安全距离要求
- 安装可以是垂直、水平或任意角度。
- Provides a fully screened and fully submersible separable connection when mated with the proper bushing or plug.
- Built-in capacitive test point to determine the circuit status or install a fault indicator.
- No minimum phase clearance requirements.
- Mounting can be vertical, horizontal, or any angle in between.

应用 Application

- 用于连接电缆与变压器、开关柜、电缆分接箱等设备
- 适用于户内和户外安装
- 系统电压最高24kV
- 持续额定电流250A (300A过载可持续8小时)
- 电缆特性
  - 聚合物绝缘电缆 (XLPE、ERP等)
  - 铜或铝导体
  - 具有半导体或金属屏蔽
  - 导体尺寸25~120mm<sup>2</sup>
- For connection of polymeric cable to transformers, switchgear, motors and other equipment with a prem-oulded separable connector.
- For indoor and outdoor installations.
- System voltage up to 24 kV.
- Continuous current 250 A (300 A overload for 8 hours).
- Cable particulars:
  - Polymeric cable (XLPE, EPR, etc.)
  - Copper or aluminum conductors
  - Semiconducting or metallic screens
  - Conductor size 25~120 mm<sup>2</sup>

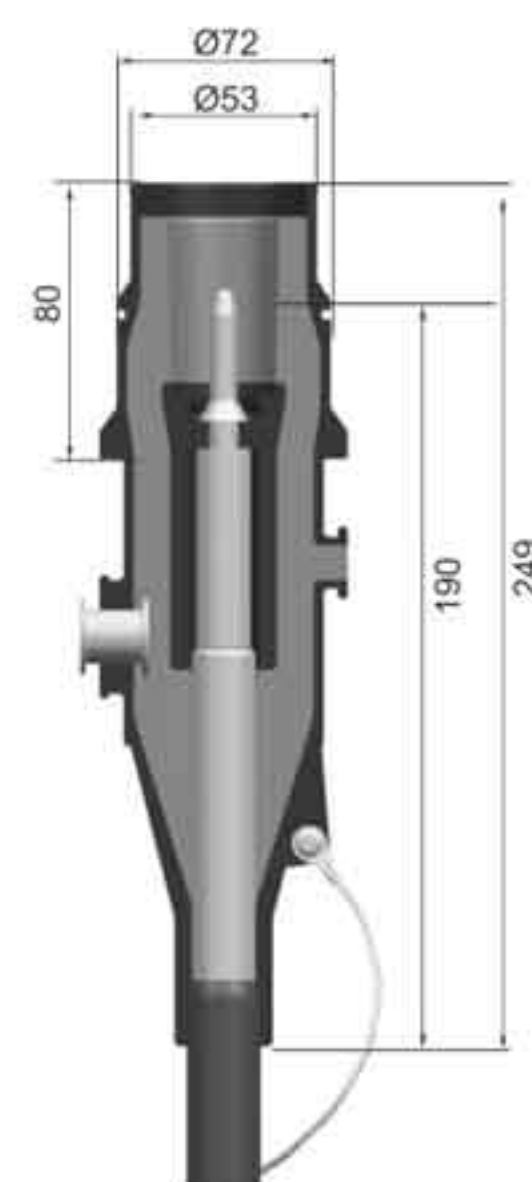
标准 Standards

满足GB/T 12706.4-2002及IEC 60502.4-2005标准的要求。  
Will meet the requirements of GB/T 12706.4-2002及IEC 60502.4-2005.

电气性能 Ratings Overview

主要指标 Description	主要参数 Parameters
最高系统电压 (Um) Maximum system voltage	25kV
冲击耐压 Impulse withstand voltage	125kV
交流耐压 (5分钟) AC withstand voltage ,5min	54kV
持续额定电流 Continuous operating current	250A
过载电流 (最长8小时) Overload (8 hrs. Max.)	300A
短路电流1秒 Short circuit withstand 1s	12.5kA

注：额定值基于IEC标准，不代表其最大性能。  
REMARK: All the data based on the standards IEC, Not the limited.



图一：外形尺寸图  
Figure 1: Dimensions

标准包装 Kit Contents

- 直通电缆接头
- 铜或铝质压接端子
- 不锈钢安装压板
- 清洁纸
- 硅脂
- 安装指导说明书
- 产品合格证
- Straight connector
- Copper or Aluminium conductor cable lug
- Steel installation tool
- Clearing paper
- Silicone lubricant
- Installation instruction sheet
- Quality certificate

订货信息 Order Information

根据国内电缆厂家按照GB/T12706标准生产的8.7/10kV电缆尺寸，我们推荐250A肘型电缆接头订货编号如下表：

The cable meet the requirements of GB/T12706 in 7/10kV, the order infomation as following.

订货编号 Reference No.	多股线芯绞成同心电 缆的截面积 (mm <sup>2</sup> ) Conductor cross section (mm <sup>2</sup> )	电缆绝缘层外径尺寸 (mm) Stretch range over insulation (mm)	对应代码 Size of stress cone
AZTS-15/250-25	25	16.3-19.9	A
AZTS-15/250-35	35	16.3-19.9	A
AZTS-15/250-50	50	16.3-19.9	A
AZTS-15/250-70	70	19.8-23.5	B
AZTS-15/250-90	95	23.1-27.1	F
AZTS-15/250-120	120	23.1-27.1	F

注：选型时以电缆绝缘直径为准，导体截面为参考。

NOTE: The cable range is the basic element for choosing the product's type. The conductor size is just for a reference.

根据国内电缆厂家按照GB/T12706标准生产的12/20kV电缆尺寸，我们推荐250A直通电缆接头订货编号如下表：

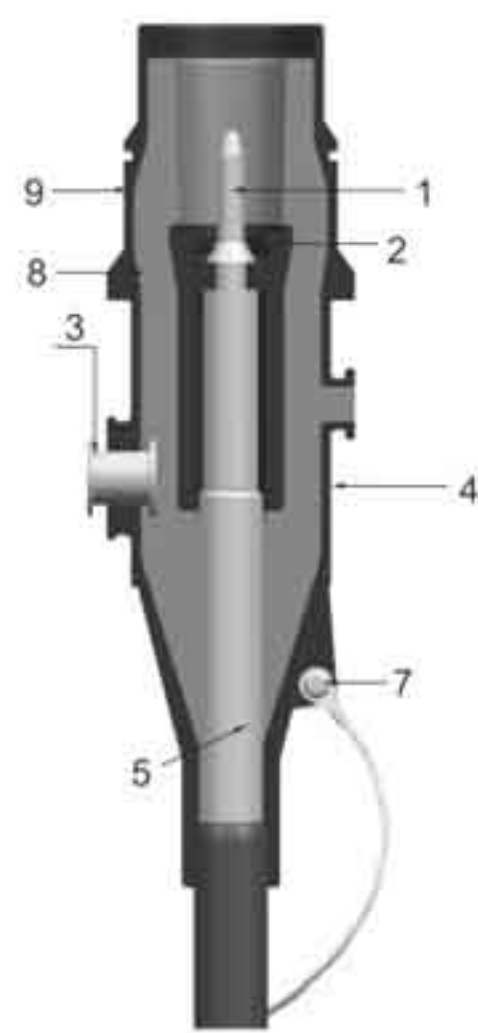
The cable meet the requirements of GB/T12706 in 12/20kV, the order information as following.

订货编号 Reference No.	多股线芯绞成同心电 缆的截面积(mm <sup>2</sup> ) Conductor cross section (mm <sup>2</sup> )	电缆绝缘层 外径尺寸(mm) Stretch range over insulation (mm)	对应代码 Size of stress cone
AZTS-25/250-35	35	23.1-27.1	F
AZTS-25/250-50	50	23.1-27.1	F
AZTS-25/250-70	70	23.6-26.4	H
AZTS-25/250-90	95	23.6-26.4	H
AZTS-25/250-120	120	27.9-33.5	J

注：选型时以电缆绝缘直径为准，导体截面为参考。

NOTE: The cable range is the basic element for choosing the product's type. The conductor size is just for a reference.

定货编号说明 Inference Information



图二：产品构造图  
Figure 2: Illustrate Design Integrity

安装 Installation

- 无需任何特殊工具，包带或填充；
- 电缆接头安装到相关部件后立即通电运行；
- 可与符合EN50180/EN50181 DIN47636/HN52-S-61标准规定的套管、接头或母排设备配合。
- Without any special tools.
- When finish the installation of elbow connector, the power can be supply directly.
- Can be used together with the bushing, cable connector and junction witch meet the requirement EN50180/EN50181 DIN47636/HN52-S-61.

产品构造 Product Structure

- 1、导电杆：与压接端子为一体式结构；
  - 2、内半导体层：预制的EPDM导电橡胶有效的控制电气应力；
  - 3、电压测试点：用于测试线路是否带电需要和带电指示器配合；
  - 4、应力锥应力控制：改善电场分布；
  - 5、电缆入口：开口尺寸与电缆匹配，并保证可靠的防水密封性能；
  - 6、外半导体层：预制的EPDM导电橡胶与电缆屏蔽的配合实现屏蔽连续，并确保外半导体层处于接地状态；
  - 7、接地眼：连接接地电缆将屏蔽层接地；
  - 8、绝缘层：高品质的EPDM（三元乙丙橡胶）制成；
  - 9、环形槽：可供三相固定卡环使用。
- 1、Conducting Rod: Inertia welded bimetallic compression connector accepts copper or aluminum conductors.
  - 2、SEMI-CONDUCTIVE INSERT: Moulded EPDM conducting rubber screen controls electrical stress.
  - 3、Capacitive Test Point: Capacitive test point provides a means to check circuit status. A moulded EPDM conducting rubber cap earths the test point when not in use.
  - 4、Stress Relief: The configuration of the outer screen and insulation provide cable stress relief.
  - 5、Cable Entrance: The sized opening provides an interference fit to maintain a watertight seal.
  - 6、SEMI-CONDUCTIVE SHIELD: Moulded EPDM conducting rubber mates with the cable screen to maintain screen continuity and ensure that the assembly is at earth potential.
  - 7、Grounding Eye: Moulded into the external screen for connection of an ear thing wire.
  - 8、Insulation: Moulded EPDM insulating rubber is formulated and mixed in-house to ensure high quality.
  - 9、Locking Ring Groove: Provision for an optional three-phase locking ring.

概述 General

25kV 400A套管座，为400A电缆接头提供接口，主要用于美式箱变、户外环网开关柜等设备。安装在美式箱变的一侧和高压绕组连接，安装在户外环网柜上做400A出线侧。

其材料为一种环氧树脂，具有良好的机械和电气性能，符合EN50180/EN50181 DIN47636/HN52-S-61。

25kV 400A Apparatus Bushing provide the interface for the 400A Cable connector and mostly used on the oil-insulated(R-temp, hydrocarbon, or silicon) apparatus, including switchgear, transformers, and capacitors.

The Apparatus Bushing are molded using high quality Epoxy Rubber, meet the requirement of standard EN50180/EN50181 DIN47636/HN52-S-61.



25kV 400A 加长套管座  
Lengthen Apparatus Bushing

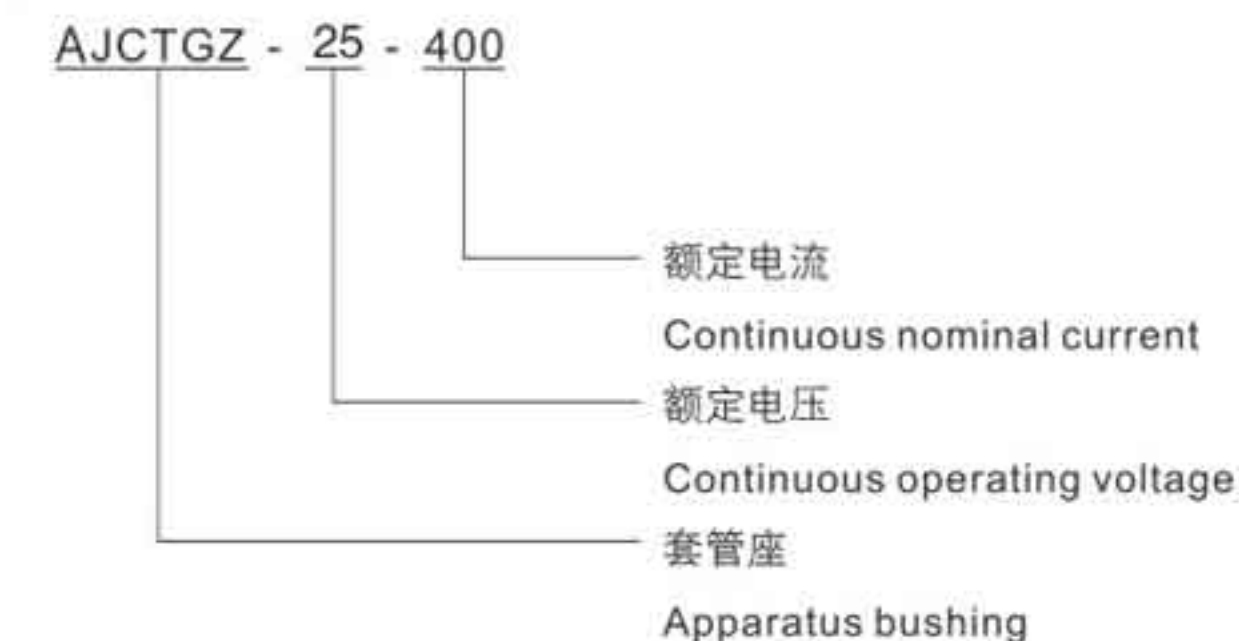
标准包装 Kit Contents

- 套管座
- 防尘盖
- 安装指导说明书
- 产品合格证
- Apparatus bushing
- Covering cap
- Installation instruction sheet
- Quality certificate

订货信息 Order Information

产品名称 Description	订货编号 Reference No.
25kV 400A 加长套管座 Lengthen Apparatus Bushing	A JCTGZ-25/400

定货编号说明 Inference Information



外形尺寸图  
Dimensions



概述 General

25kV 400A套管座, 为400A电缆接头提供接口, 主要用于美式箱变、户外环网开关柜等设备。安装在美式箱变的一侧和高压绕组连接, 安装在户外环网柜上做400A出线侧, 与屏蔽型插拔式电缆接头连接。

其材料为一种环氧树脂, 具有良好的机械和电气性能, 符合EN50180/EN50181 DIN47636/HN52-S-61。

25kV 400A Apparatus Bushing provide the interface for the 400A Cable connector and mostly used on the oil-insulated(R-temp, hydrocarbon, or silicon) apparatus, including switchgear, transformers, and capacitors.

The Apparatus Bushing are molded using high quality Epoxy Rubber, meet the requirement of standard EN50180/EN50181 DIN47636/HN52-S-61.

标准包装 Kit Contents

- 套管座本体
- 黑色防尘帽
- 安装法兰(可选)
- 安装指导说明书
- 产品合格证
- Apparatus bushing
- Covering cap
- Flange
- Installation instruction sheet
- Quality certificate

订货信息 Order Information

产品名称 Description	订货编号 Reference No.
25kV 400A 套管座 Apparatus Bushing	A TGZ-25/400

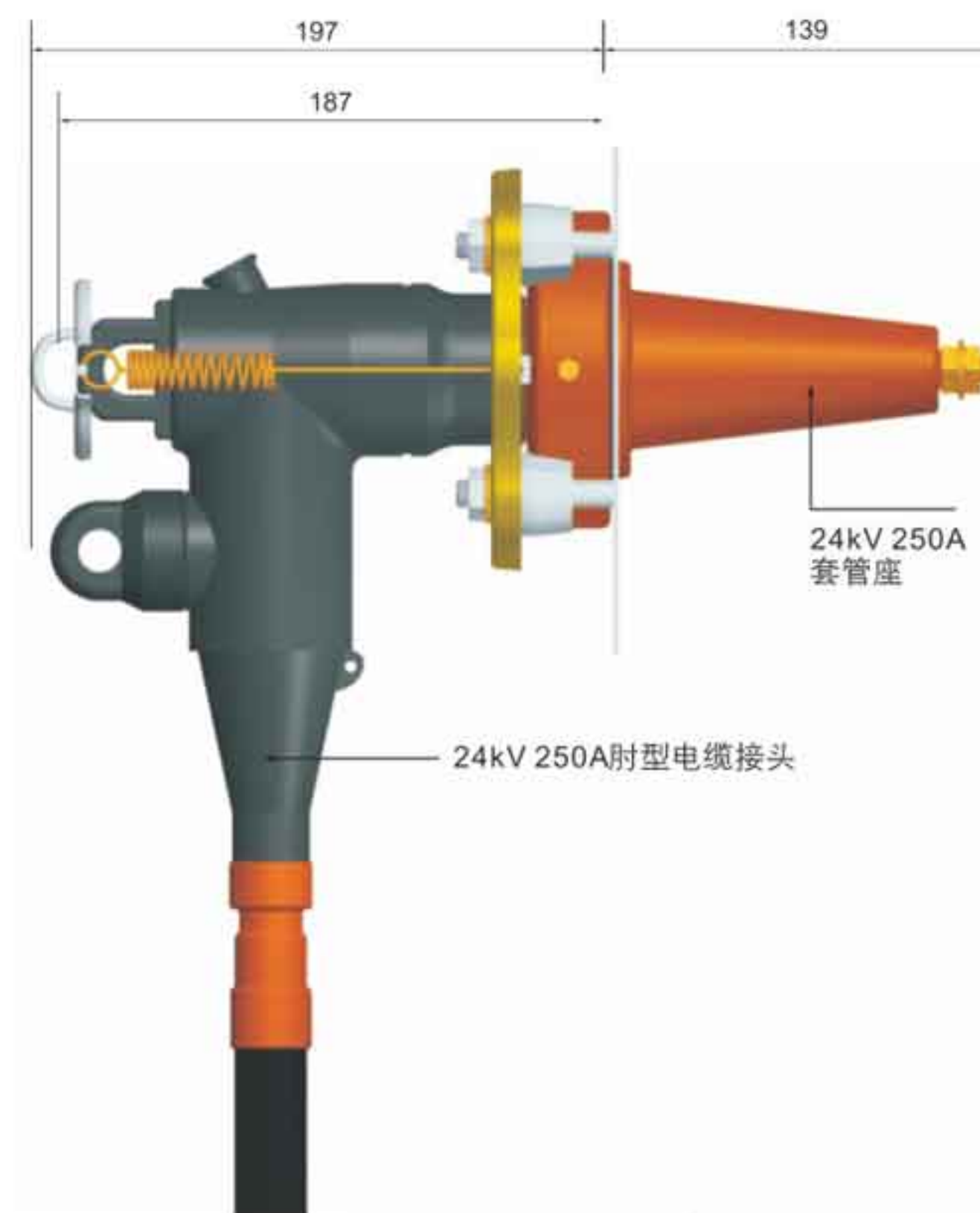
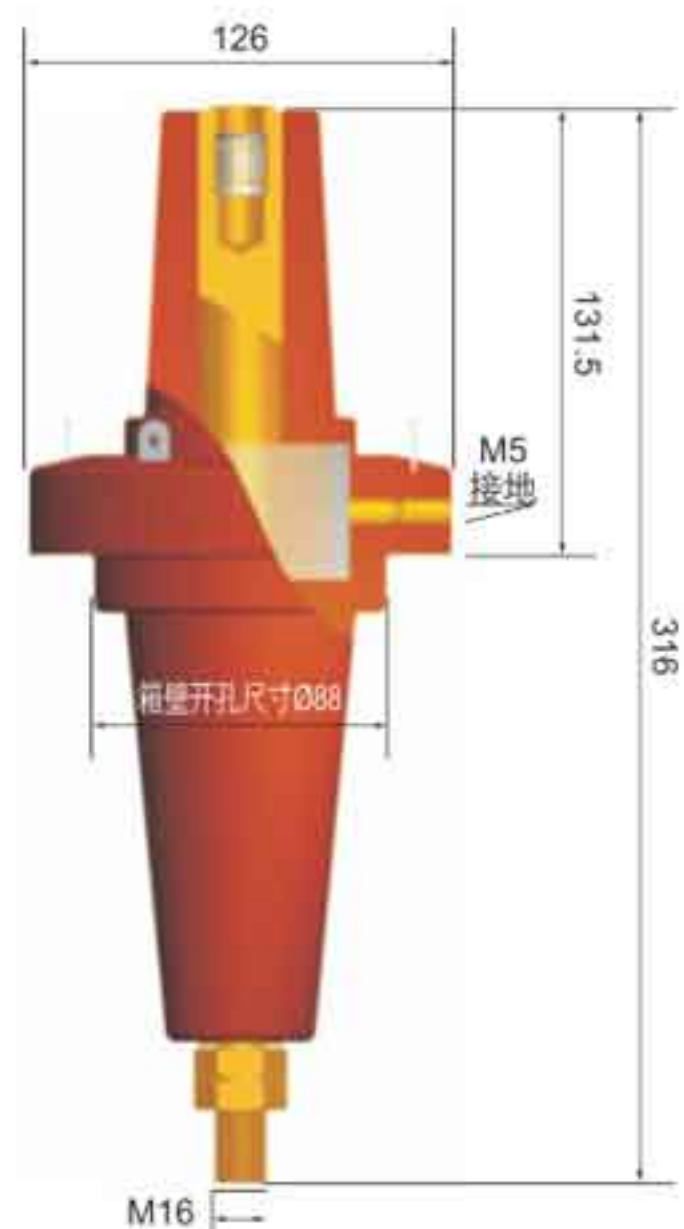
定货编号说明 Inference Information

ATGZ - 25 - 400

- 额定电流  
Continuous nominal current
- 额定电压  
Continuous operating voltage
- 套管座  
Apparatus bushing

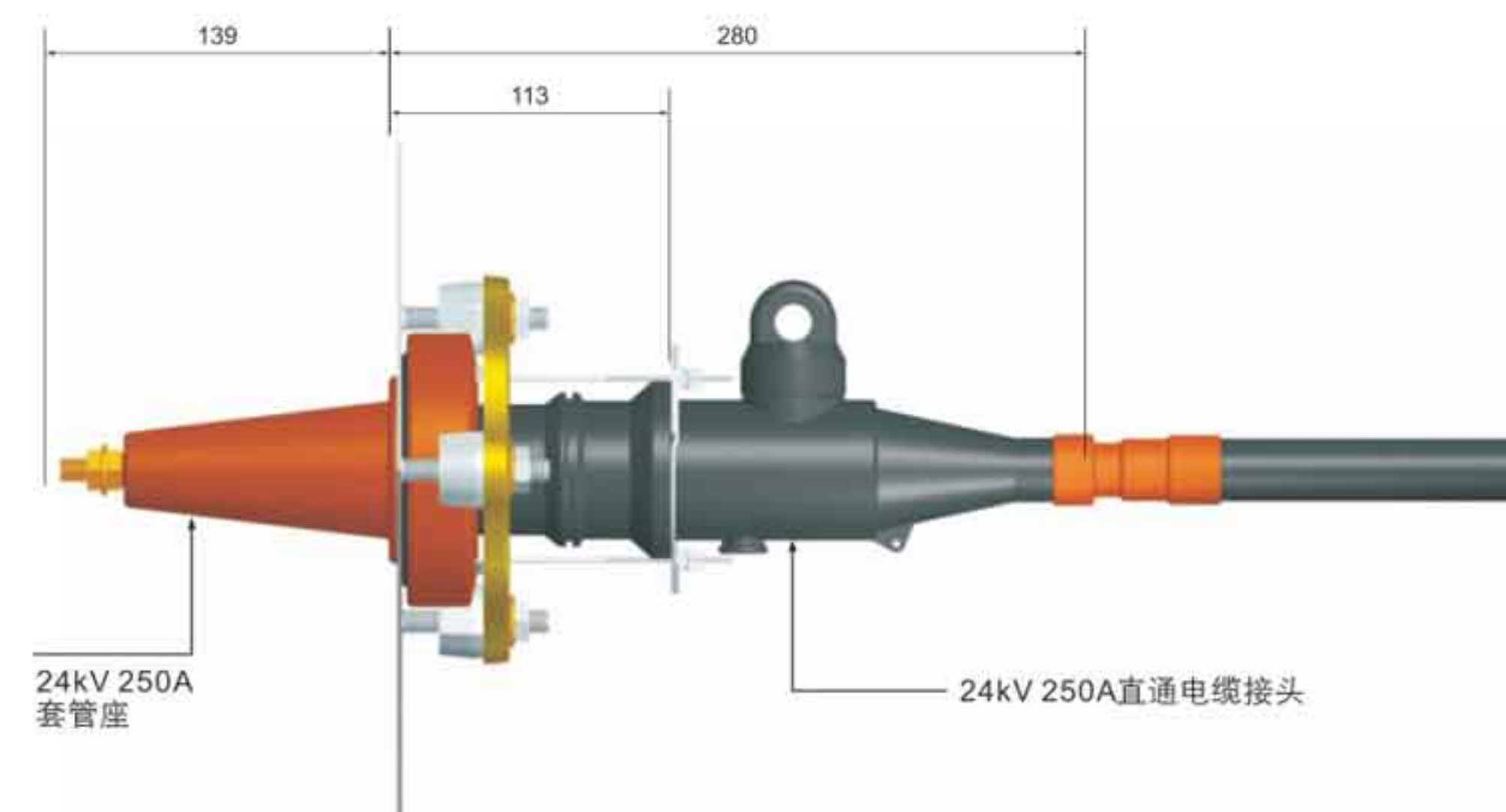


25kV 400A 套管座  
25kV 400A Apparatus Bushing



24kV 250A 套管座

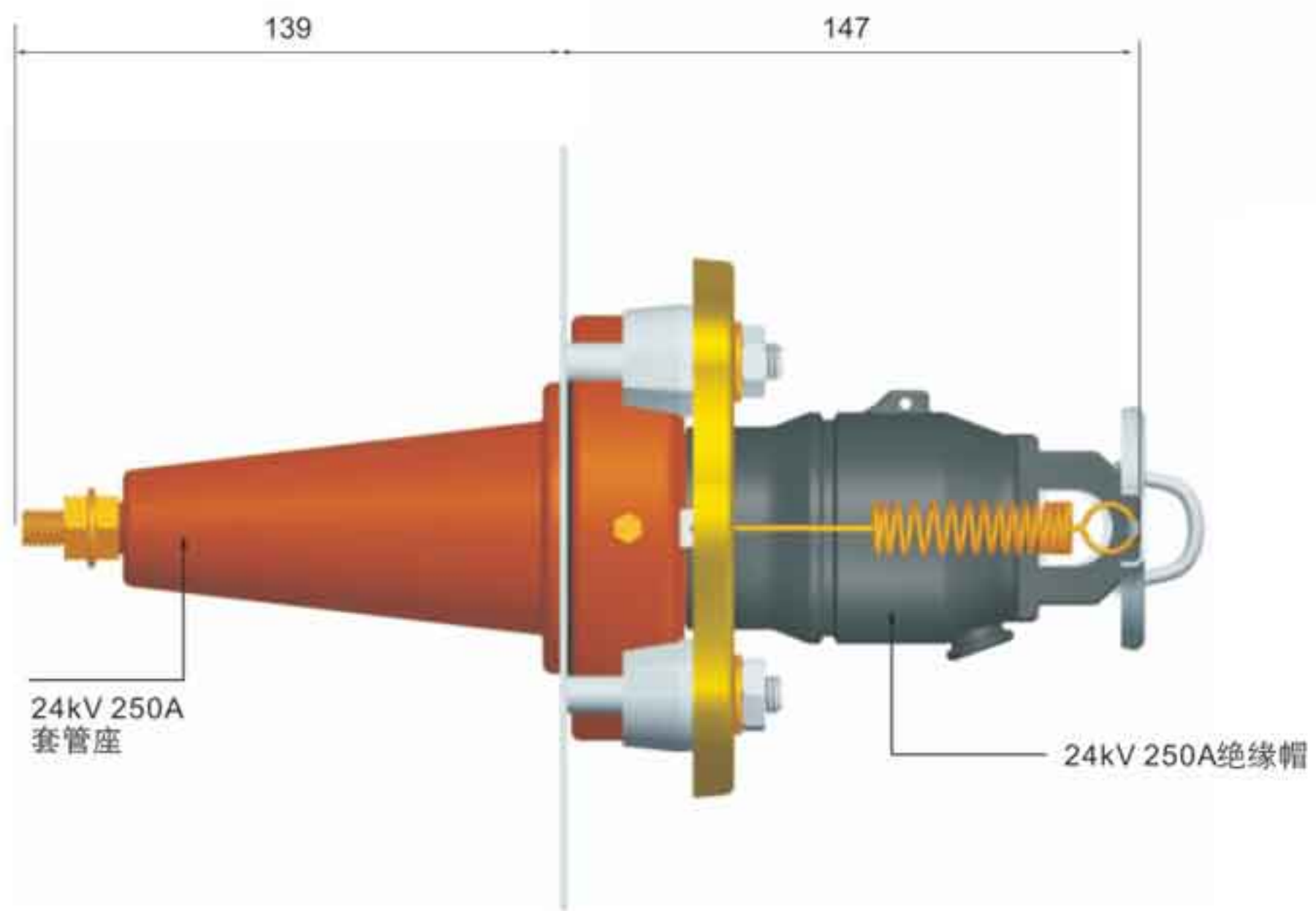
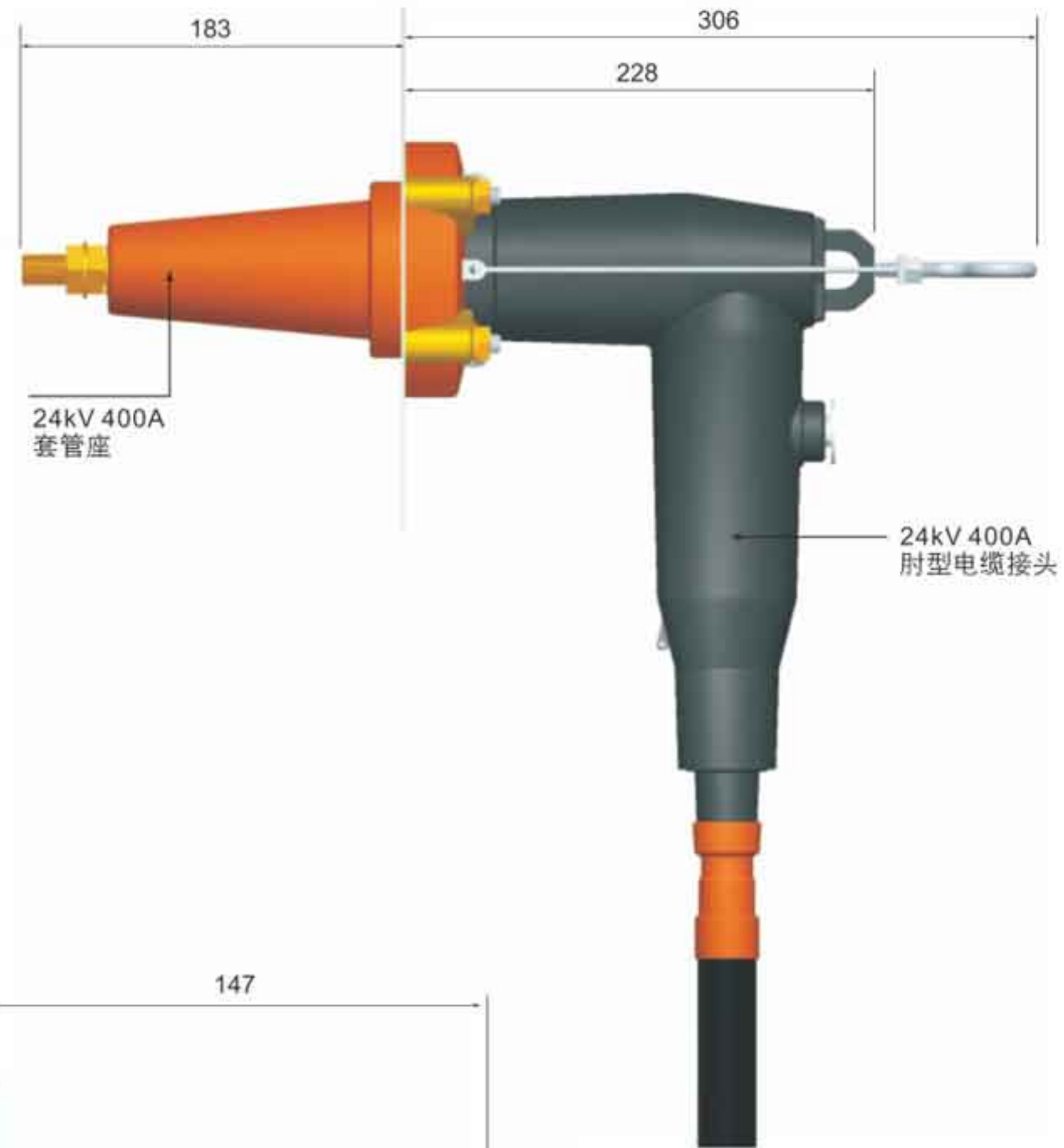
24kV 250A肘型电缆接头



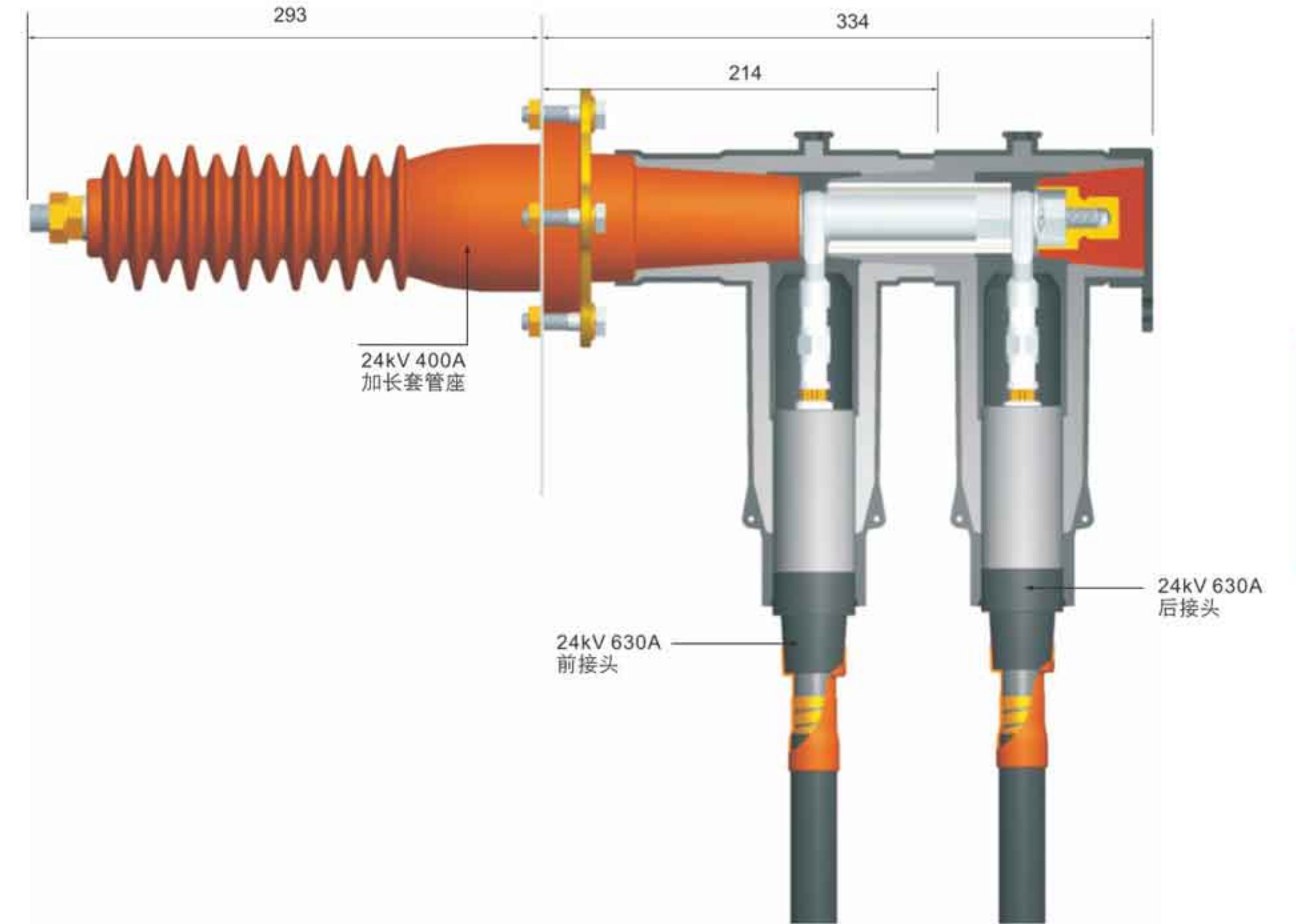
24kV 250A 套管座

24kV 250A直通电缆接头

250A 电缆附件



250A 电缆附件



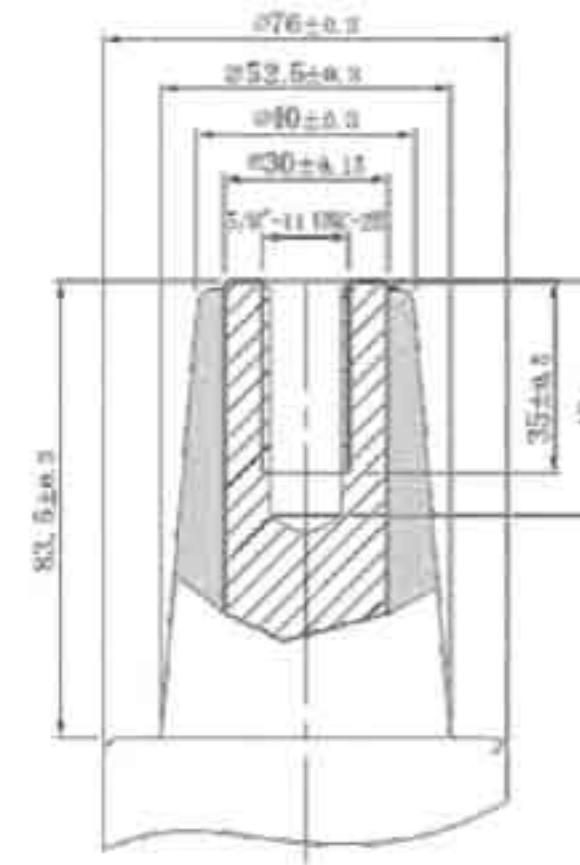
# 细致专业

成为国内最专注最完善  
最值得信赖的电力附件制造企业  
Become the most dedicated most perfect  
The most trusted manufacturer of power attachments

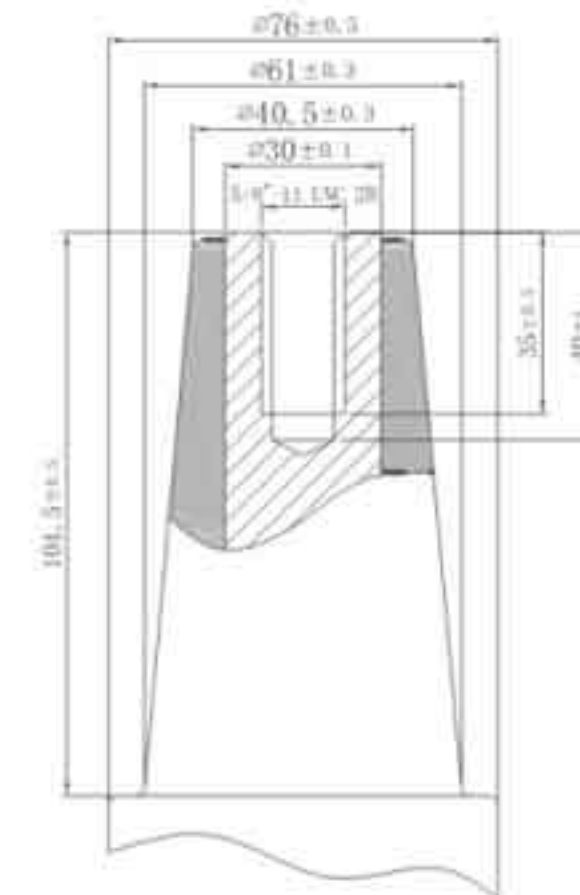


## D 15kV/24kV/35kV 600A系列电缆附件

### 15KV/24KV/35KV 600A SERIES OF CABLE ACCESSORIES



15/24kV 标准接口  
符合IEEE386标准  
15/24kV Interface Dimensions  
According to IEEE386 (in mm).



35kV 标准接口  
符合IEEE386标准  
35kV Interface Dimensions  
According to IEEE386 (in mm).

#### 执行标准 Implementation of standards

- ANSI IEEE std386-2006600V以上配电系统用可分离绝缘连接器系统;
- ANSI IEEE592-1990高压电缆接头和可分离绝缘连接器的外露半导体护套;
- IEC60502额定电压1kV( $U_m=1.2kV$ )以上至30kV( $U_m=35kV$ )挤出绝缘电力电缆及其附件;
- IEC61442额定电压6kV( $U_m=7.2kV$ )至30 kV( $U_m=35kV$ )电力电缆附件试验方法;
- GB/T12706-2008额定电压1kV( $U_m=1.2kV$ )至35kV( $U_m=40.5kV$ )挤出绝缘电力电缆及其附件;
- GB311.1-2012高压输电设备的绝缘配合;
- GB/T4109-1999高压套管技术条件;
- GB11032-2010交流无间隙金属氧化避雷器;
- DIN47636-7-1990带有伸出锥体的电力电缆可分附件套,  $U_m$  在35 kV以下套管和可分连接件装置尺寸。
- Separable insulated connector system for distribution systems above; ANSI / IEEE Std386-2006600V;
- Exposed semiconductor jackets for high - voltage cable splices and separable insulated connectors;
- Extruded insulated power cables and their accessories with rated voltages above 1 kV ( $U_m = 1.2 kV$ ) to 30 kV ( $U_m = 35 kV$ );
- Test methods for accessories for power cables with rated voltages from 6 kV ( $U_m = 7.2 kV$ ) to 30 kV ( $U_m = 35 kV$ );
- Extruded insulated power cables and their accessories with rated voltages from 1 kV ( $U_m = 1.2 kV$ ) to 35 kV ( $U_m = 40.5 kV$ ).
- Insulation coordination of high - voltage transmission and distribution equipment GB/T4109-1999;
- Technical condition of high - voltage bushing;
- Gap - free metal - oxide surge arresters;
- Power cables with extension cones - Partition sets, dimensions of sleeves and separable fittings for  $U_m$  below 35 kV DIN 47636-7-1990.

#### 电压特性 Continuou voltag ratings

项目 Item	15kV参数	25kV参数	35kV参数
额定电压 Continuous operating voltage	8.7kV/14.4kV	15.2kV 26.3kV	26kV/35kV
工频耐压 AC withstand voltage	45kV/1min	55kV/5min	117kV/5min
直流耐压 DC withstand voltage	53kV/15min	78kV/15min	104kV
雷电冲击耐压 1.5/50 $\mu$ s Im pulse with stand voltage	95kV	125kV	215kV
局部放电电压<10PC Partial discharge voltage	13kV	22kV	45kV

#### 电流性能 Curren rating

项目 Item	200AMP	600AMP
负荷操作电流 Load operating current	可在14.4kV、200A下进行10次开断与闭合操作 Available in 14.4kV and 200A 10 times under breaking and closed operation	
故障闭合电流 Fault closed current	可在14.4kV、10000A/0.175s下通过1次故障闭合操作 Available in 14.4kV、1000A/0.175 1 t times under by fault closed operation	
热稳定电流 Heat stable current	16kA 1s	30kA 2s
动稳定电流 Peak withstand current	10kA	105kA



600A T型电缆接头  
600A T Deadbreak Connector

概述 General

T型电缆接头选用EPDM(三元乙丙橡胶)制成。用于电缆连接设备,美式箱变,环网柜及电缆分接箱等,作为进出线电缆连接。可连接600A母排,亦可通过中间接头进行T-T多组合连接,亦可通过600/200A转换头连接200A肘型电缆接头或肘型避雷器。在其带电测试点上可安装带电指示器,亦可满足线路核相要求。

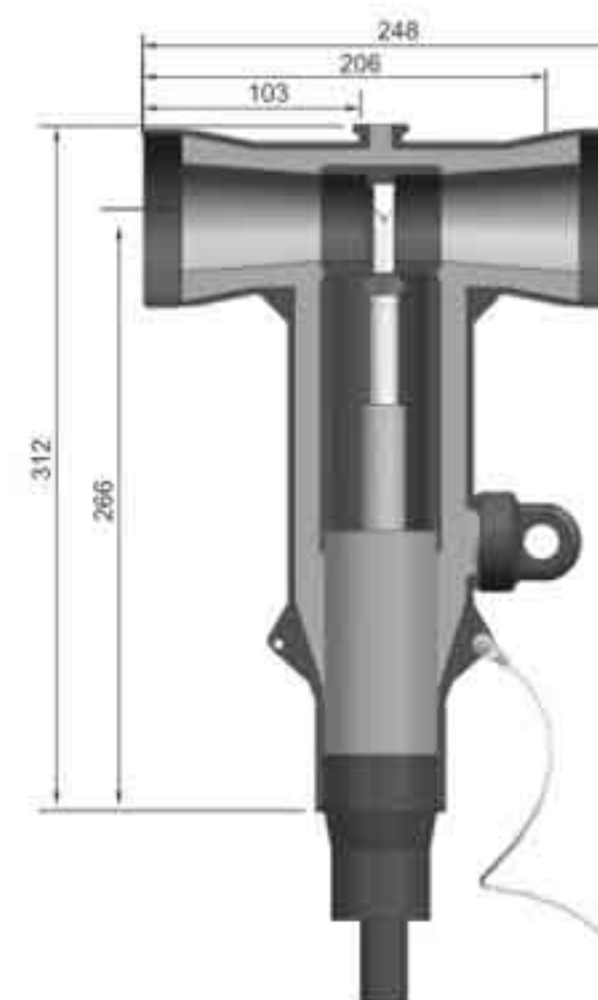
15kV/24kV 600A Class T Dead break Connector is used to terminate high voltage underground cable to transformers, switches, switchgear and other apparatus. It is fully shielded, submersible. Our Systems offers an exclusive optional capacitive test point similar to test points on 200A elbow connectors. This allows use of Fault Indicators. T connectors include the T Cable Connector and the load break bushing extender. They also provides a convenient location for a M.O.V.E. arrester or grounding elbow. They available conductor cross section is 25-500mm<sup>2</sup> for 24kV cable.

标准包装 Kit Contents

- T型电缆接头本体
- 绝缘子(含半导电封帽)
- 压接端子
- 应力锥
- 双头螺栓
- 清洁纸
- 硅脂
- 安装指导说明书
- 产品合格证
- T Cable connector
- Insulator
- Conductor cable lug
- Adaptor
- Two-head Screw
- Clearing Paper
- Silicone Lubricant
- Installation Instruction Sheet
- Quality Certificate

15kV电缆型号配置表 Order Information

产品型号 Reference No.	多股线芯绞成同心的 电缆截面积(mm <sup>2</sup> ) Conductor cross section (mm <sup>2</sup> )	电缆绝缘层 外径(mm) Stretch range over insulation (mm)	电缆 型号 Cable Type	对应 代号 Size of stress cone
A TT 15/600-25	24	16.6	8.7/15	A
A TT 15/600-35	35	17.6	8.7/15	A
A TT 15/600-50	50	19	8.7/15	A
A TT 15/600-70	70	20.6	8.7/15	B
A TT 15/600-95	95	22.2	8.7/15	B
A TT 15/600-120	120	23.6	8.7/15	C
A TT 15/600-150	150	25.2	8.7/15	C
A TT 15/600-185	185	26.7	8.7/15	C
A TT 15/600-240	240	29	8.7/15	D
A TT 15/600-300	300	31.2	8.7/15	D
A TT 15/600-400	400	34.4	8.7/15	E
A TT 15/600-500	500	37.2	8.7/15	F



图一:外形尺寸图  
Figure 1: Dimensions

25kV电缆型号配置表 Order Information

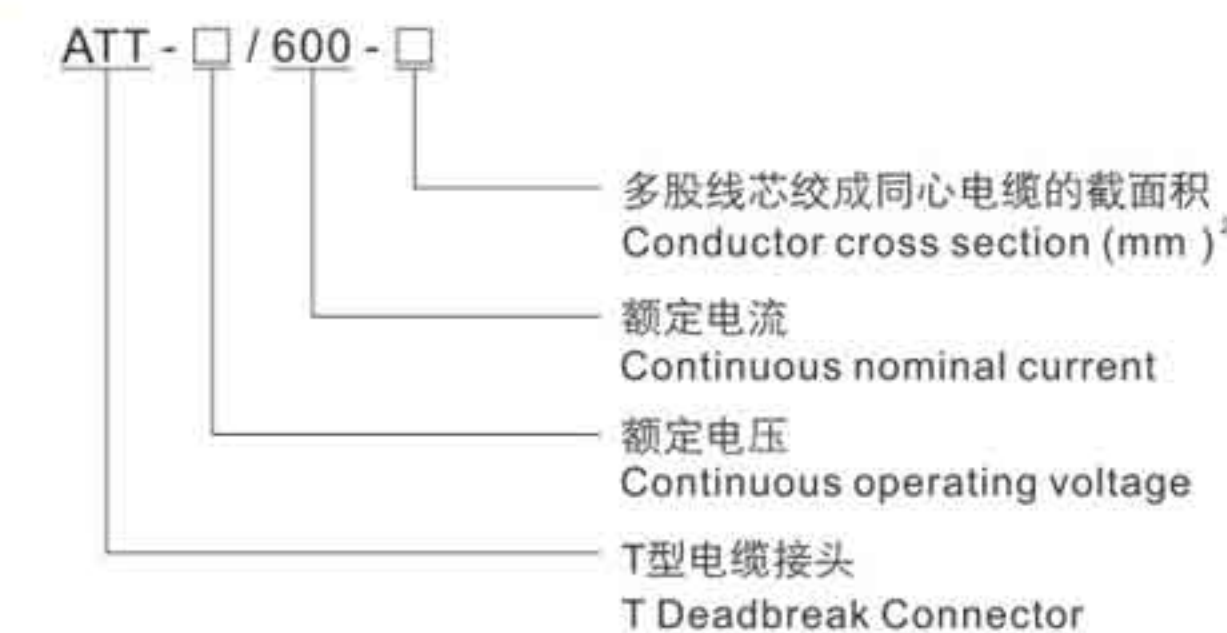
产品型号 Reference No.	多股线芯绞成同心的 电缆截面积(mm <sup>2</sup> ) Conductor cross section (mm <sup>2</sup> )	电缆绝缘层 外径(mm) Stretch range over insulation (mm)	电缆 型号 Cable Type	对应 代号 Size of stress cone
A TT 25/600-35	35	18.6	12/20	B
A TT 25/600-50	50	19.6	12/20	B
A TT 25/600-70	70	21	12/20	B
A TT 25/600-95	95	22.6	12/20	C
A TT 25/600-120	120	24.2	12/20	C
A TT 25/600-150	150	25.6	12/20	C
A TT 25/600-185	185	27.2	12/20	D
A TT 25/600-240	240	28.7	12/20	D
A TT 25/600-300	300	31.1	12/20	E
A TT 25/600-400	400	33.2	12/20	E

25kV电缆型号配置表 Order Information

产品型号 Reference No.	多股线芯绞成同心的 电缆截面积(mm <sup>2</sup> ) Conductor cross section (mm <sup>2</sup> )	电缆绝缘层 外径(mm) Stretch range over insulation (mm)	电缆 型号 Cable Type	对应 代号 Size of stress cone
A TT 25/600-50	50	26	18/20	D
A TT 25/600-70	70	27.6	18/20	D
A TT 25/600-95	95	29.2	18/20	D
A TT 25/600-120	120	30.6	18/20	E
A TT 25/600-150	150	32.2	18/20	E
A TT 25/600-185	185	33.7	18/20	E
A TT 25/600-240	240	36.1	18/20	F
A TT 25/600-300	300	38.2	18/20	F

注:选型时以电缆外径为决定因素,导体截面为参考。  
NOTE: The cable range is the basic element for choosing the product's type. The conductor size is just for a reference.

定货编号说明 Inference Information





15kV/24kV 600A T II T型电缆接头  
Deadbreak Tee Tap Connector

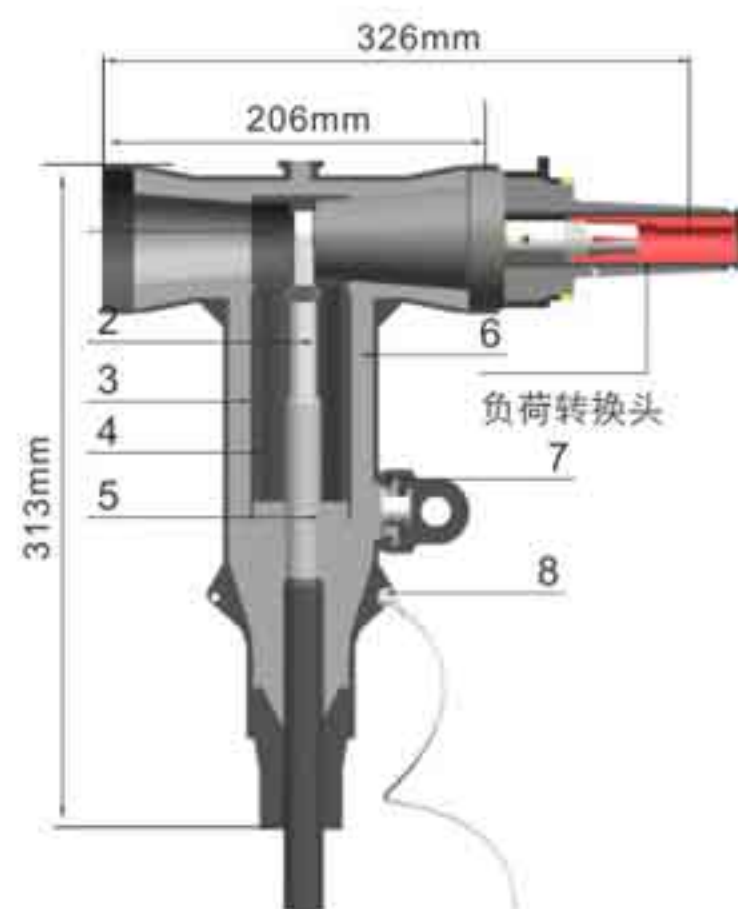
标准包装 Kit Contents

- |                  |                                  |
|------------------|----------------------------------|
| ● T II T电缆接头本体   | ● T II T Cable Connector         |
| ● 压接端子           | ● Conductor Cable Lug            |
| ● 负荷转换接头         | ● Bushing Extender               |
| ● 应力锥            | ● Adaptor                        |
| ● 双头螺栓           | ● Two-head Screw                 |
| ● 内六角扳手          | ● Hex Wrench                     |
| ● 清洁纸            | ● Clearing Paper                 |
| ● 硅脂             | ● Silicone Lubricant             |
| ● 200A绝缘保护帽 (可选) | ● 200A Covering Cap (Optional)   |
| ● 安装指导说明书        | ● Installation Instruction Sheet |
| ● 产品合格证          | ● Quality Certificate            |

产品构造 Product Structure

- 连接螺杆: 镀锡的铜双头螺杆, 确保和套管紧密配合。
- 压接端子: 根据电缆材质的不同, 选择铜质压接端子或铜铝压接端子。
- 外半导体层: 预制的EPDM 导电橡胶与电缆屏蔽的配合实现屏蔽连续, 并确保外半导体层处于接地状态。
- 绝缘层: 特有的配方和混合技术确保预制EPDM 绝缘橡胶的优质品质。
- 应力锥: 改善电场分布。
- 内半导体层: 预制的EPDM 导电橡胶有效的控制电气应力。
- 电压测试点: 用于测试线路是否带电需要和带电指示器配合。
- 接地眼: 使设备接地。
- Connecting screw: tin-plated copper double-headed screw, and casing to ensure close co-ordination.
- Crimp terminal: Depending on the cable material, select the copper crimp terminal or copper-aluminum crimp terminal.
- The outer semiconducting layer: prefabricated EPDM conductive rubber and cable shielding to achieve continuous shielding, and to ensure that the outer half The conductive layer is in a grounded state.
- The insulation layer: the unique formula and mixing technology to ensure that the quality of pre-made EPDM insulation rubber quality.
- Stress cone: to improve the electric field distribution.
- The semi-conductive layer: prefabricated EPDM conductive rubber effective control of electrical stress.
- The voltage test points: for testing whether the line charged with the need and charged indicator.
- Grounded eye: the equipment ground.

定货编号说明 Inference Information



图一: 外形尺寸图  
Figure 1: Dimensions

D 600A系列电缆附件



15kV/24kV 600A T头连接头  
15kV/24kV 600A Deadbreak T Plug

概述 General

600A T头连接头为600AT型电缆接头提供一个过渡,主要用于电缆头直接组合的场合(不需要母排连接)。与之相连接常用的电缆附件有: T型接头, T-II型接头等。其材料采用高品质EPDM(三元乙丙橡胶)制成。

600A Dead break T Connector Plugs are used to connect two or more 600A dead break terminators. Dead break Connector plugs are typically used in a separable splice, or with a bushing extender, to increase the distance from the apparatus front plate to the 600A terminator, easing cable training. The Load break Elbows are molded using high quality sulfur-cured insulating and semi-conducting EPDM rubber.

标准包装 Kit Contents

- |           |                                  |
|-----------|----------------------------------|
| ● T头连接头   | ● Tee connector plug             |
| ● 内六角扳手   | ● Hex wrench                     |
| ● 清洁纸     | ● Clearing Paper                 |
| ● 硅脂      | ● Silicone Lubricant             |
| ● 安装指导说明书 | ● Installation Instruction Sheet |
| ● 产品合格证   | ● Quality Certificate            |

订货信息 Order Information

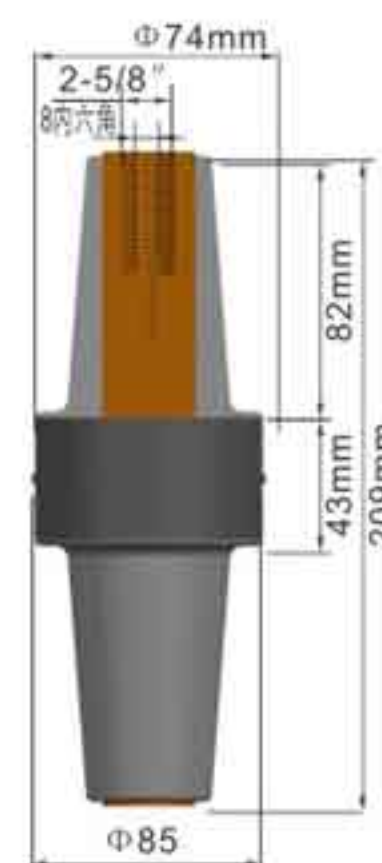
产品名称 Description	订货编号 Reference No.
600A 15kV T头连接头 T Connector	AH TTL-15/600
600A 25kV T头连接头 T Connector	AH TTL-25/600

定货编号说明 Inference Information

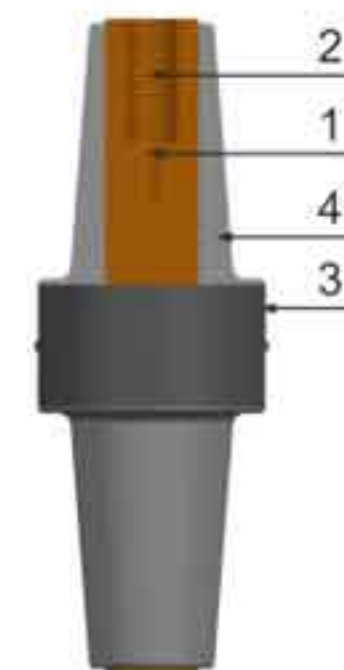


产品构造 Product Structure information

- 1、内六角: 与内六角扳手配合使用, 方便操作。
- 2、铜质导电柱: 带 5/8" -11 螺纹的接口, 符合IEEE386标准。
- 3、外半导体层: 预制EPDM导电橡胶符合IEEE592标准。
- 4、绝缘层: 高品质, 特殊工艺处理的EPDM绝缘橡胶增强了产品的电气性能。
- 1、Hex wrench: easy to Installation.
- 2、Current-carrying component: is an industry standard, 5/8"-11 threaded rod, available in both aluminum and copper, meet the requirement standard IEEE386.
- 3、SEMI-CONDUCTIVE SHIELD: High-quality EPDM rubber provides protective dead front shield that meets requirements of IEEE Standard 592.
- 4、INSULATION: High-quality EPDM rubber formulated, mixed, and milled in-house for consistent and reliable field performance.



图一: 外形尺寸图  
Figure 1: Dimensions



图二: 产品构造图  
Figure 2: Illustrate Design Integrity

D 600A系列电缆附件



600A/200A 负荷转换头  
Loadbreak Reducing Tap Plug

概述 General

600A/200A负荷转换头用于600A T型接头或600A 延伸管连接，为600A系统提供200A接口，可连接200A肘型接头、肘型避雷器在200A负荷以下可带电插拔，作为负荷开关使用，与T型接头组成T II 头。

600A/200A Integral Dead break Bushing is used to convert a standard 600A dead break interface to a standard 200A load break interface. Used with a 200A insulated protective cap, M.O.V Elbow Arrester, Grounding Elbow or Load break Elbow Connector, An integral dead break bushing provides a fully shielded. It will be T-II connector if connect with T connector.

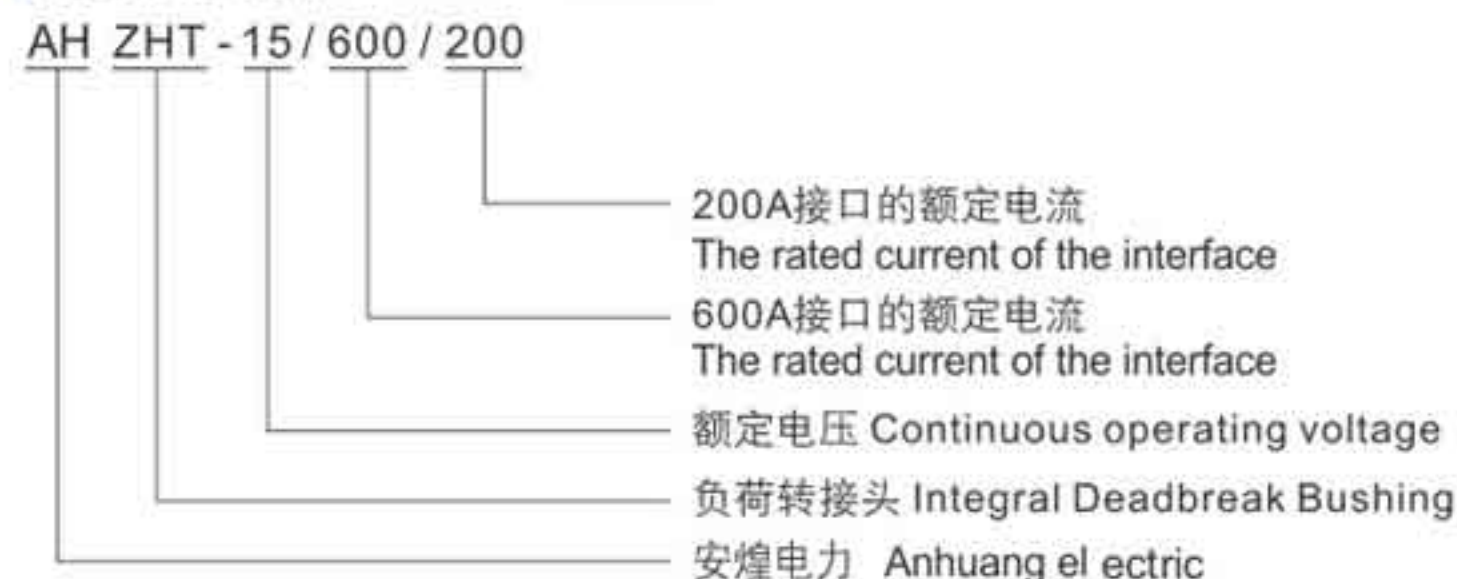
标准包装 Kit Contents

- 负荷转换头本体
- 双头螺栓
- 内六角扳手
- 清洁纸
- 硅脂
- 红色防尘帽(非绝缘保护帽)
- 安装指导说明书
- 产品合格证
- Integral Deadbreak Bushing
- Two-head Screw
- Hex Wrench
- Clearing Paper
- Silicone Lubricant
- Covering cap
- Installation Instruction Sheet
- Quality Certificate

订货信息 Order Information

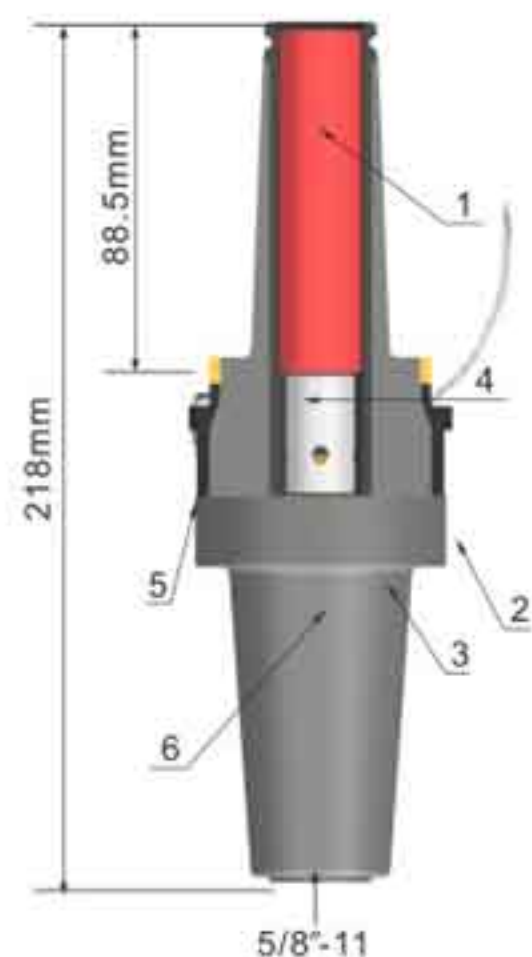
产品名称 Description	订货编号 Reference No.
600A/200A 负荷转换头 Load transfer adapter	AH ZHT-15/600/200

定货编号说明 Inference Information



产品构造 Product Structure information

1. 消弧室：电缆接头插拔操作时，有效的消除电弧对产品的影响。
2. 外半导体层：预制式的EPDM导电橡胶符合IEEE592标准。
3. 绝缘层：特有配方和混合技术确保预制EPDM绝缘橡胶的优质品质。
4. 铜质接头：特殊工艺处理的铜质接头。
5. 接地眼：通过接地眼，使产品接地。



产品构造图  
Illustrate Design Integrity



15kV/25kV 600A 延伸管  
Class Bushing Extender

概述 General

600A延伸管与转换头配合成为带延伸管的600A/200A转换头，可直接安装在600A母排或600A套管上，200A插孔可安装肘型避雷器或肘型电缆接头。

600A class bushing extender allow installation on standard de-energized 600A dead break interfaces for coupling reducing tap plugs, connecting plugs and apparatus bushings. 200A Load break interfaces for Elbow surge arrester and elbow connector. When assembled to mating apparatus, it provides a completely submersible, fully shielded unit.

标准包装 Kit Contents

- 600A延伸管
- 蓝色防尘帽(非绝缘保护帽)
- 清洁纸
- 硅脂
- 安装指导说明书
- 产品合格证
- Class bushing extender
- Covering cap
- Clearing Paper
- Silicone Lubricant
- Installation Instruction Sheet
- Quality Certificate

订货信息 Order Information

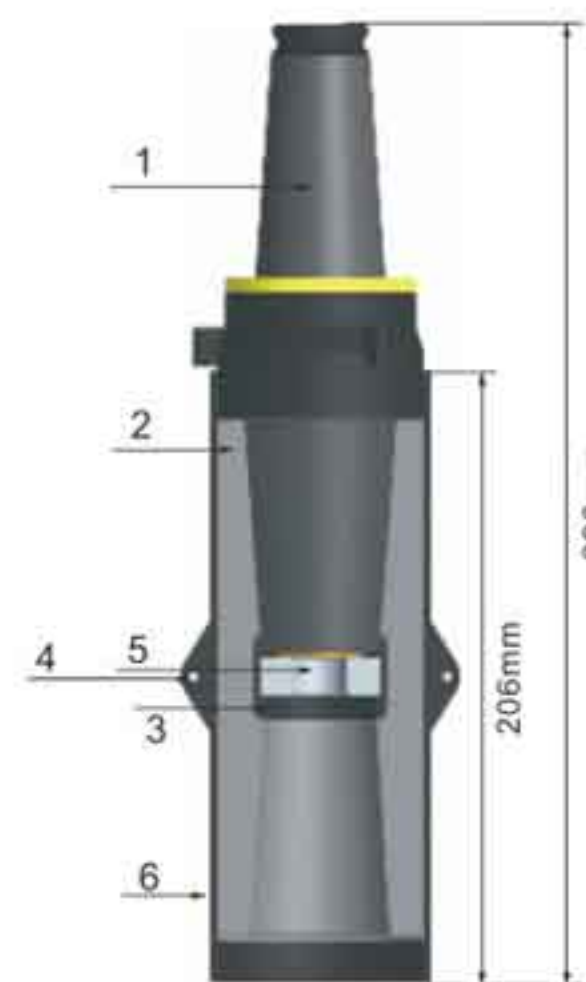
产品名称 Description	订货编号 Reference No.
15kV 600A 延伸管 Class bushing extender	A YCG-15/600
24kV 600A 延伸管 Class bushing extender	A YCG-25/600

定货编号说明 Inference Information



产品构造 Product Structure information

1. 负荷转换头：在订货时，按照需要可预先装入延伸管；
  2. 绝缘层：高品质的特殊工艺处理的EPDM制成；
  3. 内半导体层：良好控制电场应力；
  4. 接地眼：提供地线连接；
  5. 导电铜圈：连接负荷转换头；
  6. 外半导体层：预制的EPDM导电橡胶符合IEEE 592标准。
1. Class bushing extender: Pre-assembled into bushing extender when bushing adapter is ordered.
  2. INSULATION: High-quality EPDM rubber formulated, mixed, and milled in-house for consistent and reliable field performance.
  3. SEMI-CONDUCTING INSERT: Controls electrical stresses.
  4. DRAIN WIRE TAAH: Drain Wire Tabs provide convenient drain wire connection points to the molded conductive shield and palce the shield at ground potential.
  5. Threaded Copper Insert: To connect with the Load break Reducing Tap Plug.
  6. SEMI-CONDUCTING SHIELD: Molded Semi-conducting EPDM Shield meets the requirements of IEEE Standard 592TM.



产品构造图  
Illustrate Design Integrity



15kV 200A 绝缘帽  
15kV 200A Insulated Protective Cap

概述 General

15kV/24kV 600A 绝缘帽是带电套管的附属配件，为带电套管提供绝缘封套，对不带电的接头提供防尘，防潮封套。

600A绝缘帽可以安装在600A套管、母排及壁挂等设备上，当母排和电缆接头预留有备用出线时，必须用600A绝缘帽将其密封。

15kV/24kV 600A Insulated Protective Cap is an accessory device designed to electric ally insulate and mechanically seal load break bushing interfaces. When mated to a load break product and the drain wire is attached to ground, the Insulated Protective Cap provides a fully shielded, submersible insulating cover for energized bushings. The Insulated Protective Cap can be used for permanent or temporary installation on 600A bushings, junctions or insulated stand off bushing.

标准包装 Kit Contents

- 绝缘帽
- 清洁纸
- 硅脂
- 安装指导说明书
- 产品合格证
- Insulated protective cap
- Clearing paper
- Silicone lubricant
- Installation instruction sheet
- Quality certificate

订货信息 Order Information

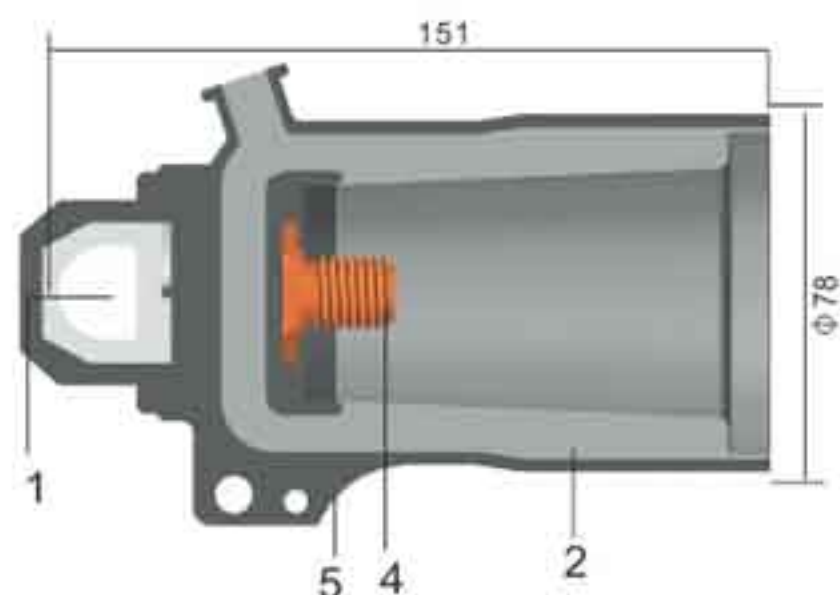
产品名称 Description	订货编号 Reference No.
600A 15kV绝缘帽 Insulated Protective Cap	A JYM-15/600
600A 24kV绝缘帽 Insulated Protective Cap	A JYM-24/600

定货编号说明 Inference Information

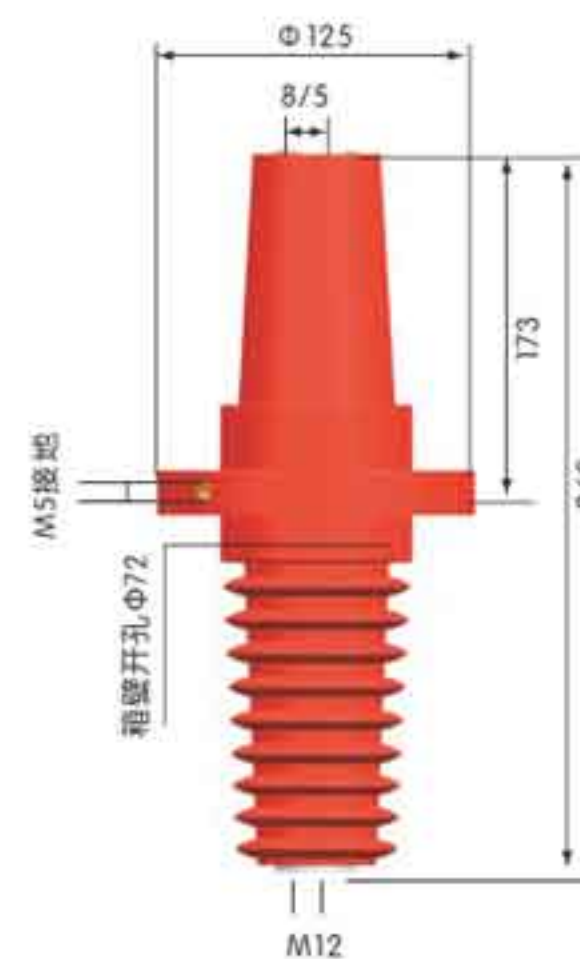
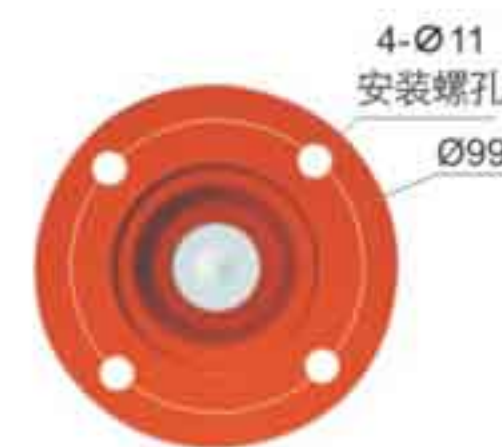


产品构造 Product Structure information

- 操作环：由不锈钢制成，方便产品的安装与操作；
- 绝缘层：特有配方和混合技术确保预制 EPDM 绝缘橡胶的优质品质；
- 外半导电层：预制式的EPDM 导电橡胶符合 I EEE592 标准；
- 内螺纹：部螺纹为 5/8"-11；
- 接地眼：通过接地眼，使产品接地。
- The operating ring: made of stainless steel to facilitate the installation and operation of products;
- The insulation layer: a unique formula and mixing technology to ensure that pre-EPDM insulation rubber quality;
- The outer semiconducting layer: prefabricated EPDM conductive rubber in line with IEEEE92 standard;
- The internal thread: the Department of thread 5/8 "-11;
- Grounded eye: ground through the eye, the product ground.



图一：外形尺寸图  
Figure 1: Dimensions



外形尺寸图  
Dimensions

概述 General

15kV 600A 美式一体式套管应用于带SF6负荷开关分支箱上与美式600AT型电缆接头连接。

其采用高品质的环氧树脂制成，伞裙结构的设计增加了爬电距离，提高了设备的电气性能，使电气安全性大为提高。

600A Integral Dead break or Vacuum Switch Bushing are designed for Cable Branch Cabinet with S<sub>6</sub> Switch. Separable connectors, such as 600A T and T-II dead break connectors can be used with these bushing.

These bushing are made by Epoxy Resin. With the skirt make the Dead break Rotatable Feedthru Bushing can be used better.

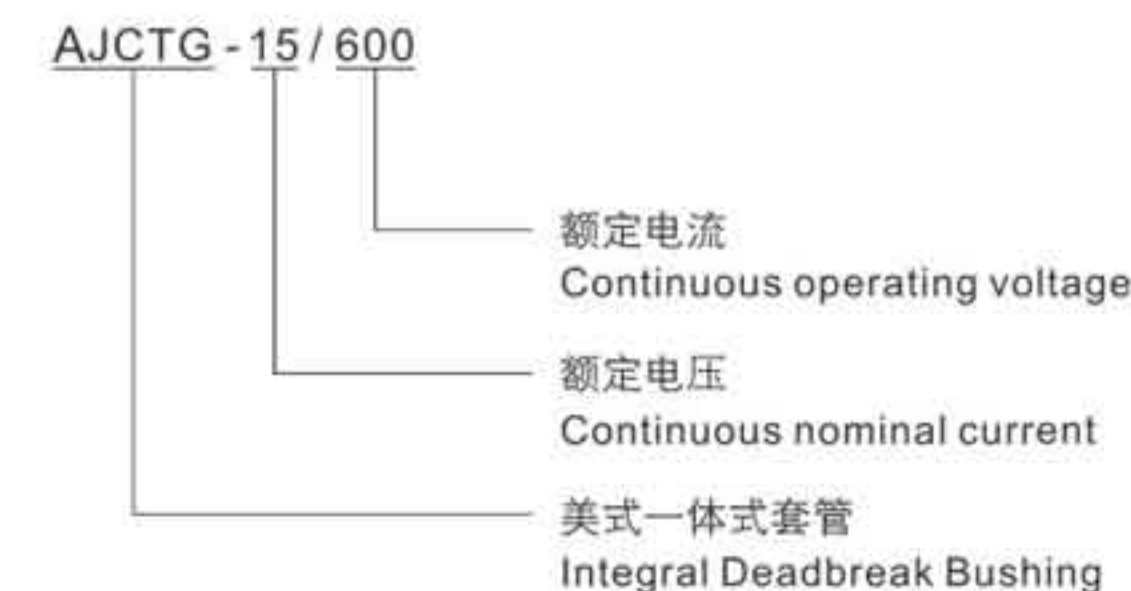
标准包装 Kit Contents

- 美式一体式套管本体
- 安装指导说明书
- 产品合格证
- Integral Deadbreak Bushing
- Installation Instruction Sheet
- Quality certificate

订货信息 Order Information

产品名称 Description	订货编号 Reference No.
600A 15kV美式一体式套管 600A 15kV Integral Deadbreak Bushing	A JCTG-15/600

定货编号说明 Inference Information





15kV/24kV 600A 二路母排  
15kV/24kV 600A Two-way busbar



15kV/24kV 600A 三路母排  
15kV/24kV 600A Three-way busbar



15kV/24kV 600A 四路母排  
15kV/24kV 600A Four-way busbar

概述 General

600A母排在电缆分支线路中起到母线的作用。其特点为全绝缘，全密封。600A母排可以T型电缆接头、T-II电缆接头、600A延伸管和600A绝缘帽配合组成电缆多分支线路。

600A母排选用高品质绝缘材料制成。

600A Busbar in the cable branch line play the role of bus. Its characteristics are fully insulated, fully sealed. 600A busbar can T-type cable connector, T-II cable connector, 600A extension tube and 600A insulated cap with the composition of cable multi-branch line.

600A Busbar made of high quality insulating material.

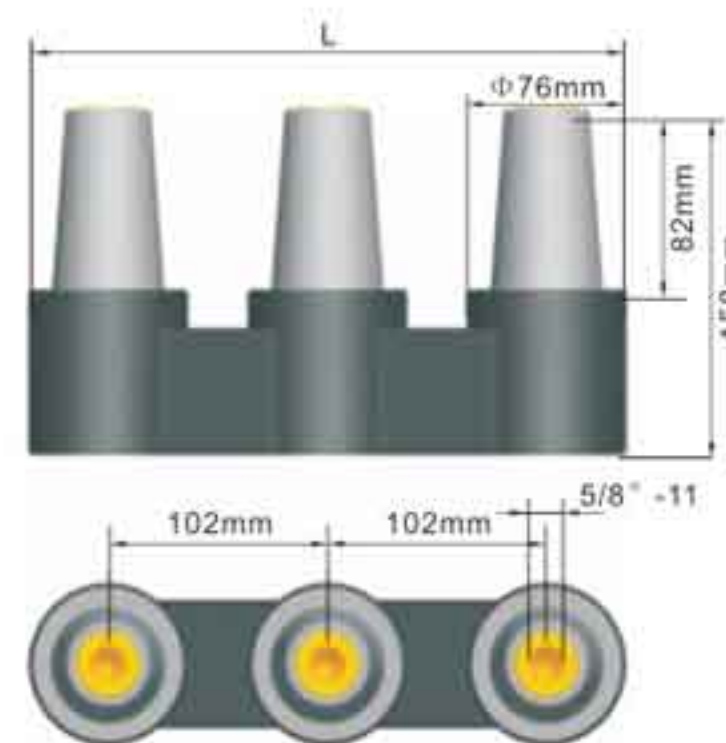
标准包装 Kit Contents

- 600A母排本体
- 安装指导说明书
- 产品合格证
- Busbar body
- Installation Instruction Sheet
- Quality Certificate

订货信息 Order Information

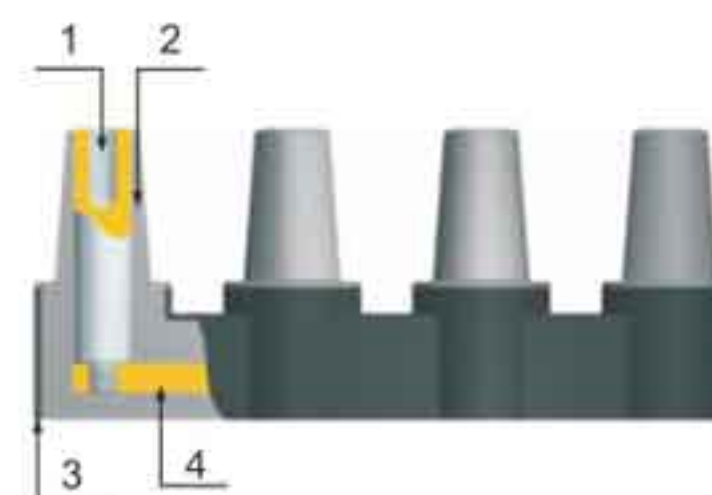
订货编号 Reference No.	额定电压 Continuous operating voltage	额定电流 Continuous nominal current
A MP2-15/600	15kV	600A
A MP3-15/600	15kV	600A
A MP4-15/600	15kV	600A
A MP2-25/600	25kV	600A
A MP3-25/600	25kV	600A
A MP4-25/600	25kV	600A

定货编号说明 Inference Information



名称	二通 2	三通 3	四通 4
L	178mm	280mm	382mm

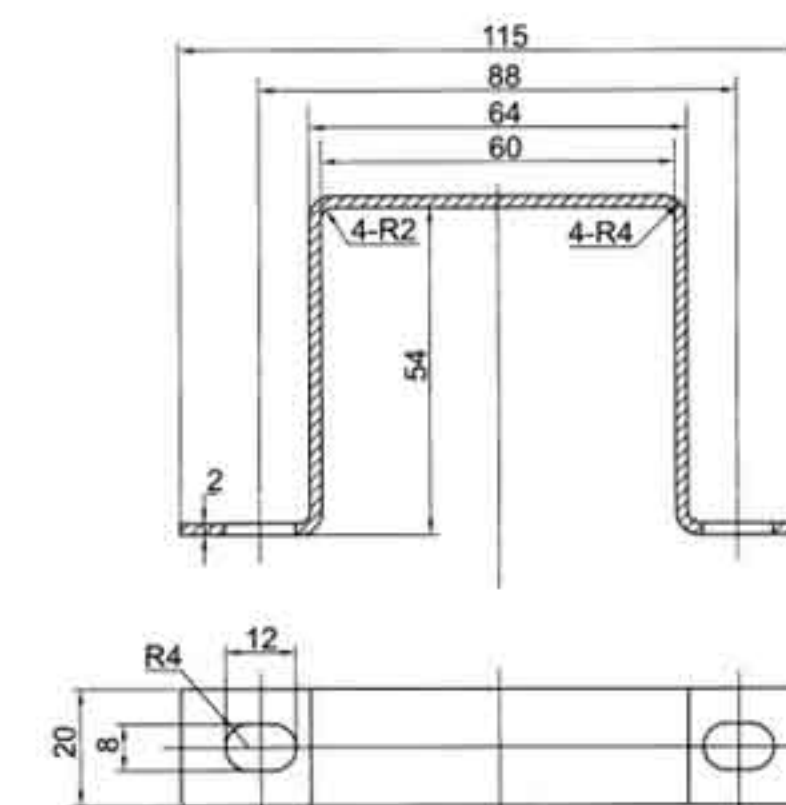
图一：外形尺寸图  
Figure 1: Dimensions



图二：产品构造图  
Figure 2: Product Structure Diagram

产品构造 Product Structure information

- 1、铜质接口：5/8" -11接口，符合IEEE386标准；
  - 2、绝缘层：特有配方和混合技术确保预制EPDM绝缘橡胶的优秀品质；
  - 3、外半导体层：特殊工艺处理的EPDM导电橡胶符合IEEE592标准；
  - 4、铜质导电排：铜材料制成的导电排，保证电流顺畅的同时，能起到良好的冷却作用。
- 1、COPPER CONNECTOR: 5/8" -11 connector meets requirements of IEEE Standard 386.
  - 2、EPDM INSULATION: High quality sulfur cured EPDM insulation is mixed and formulated in-house for complete control of insulating rubber characteristics.
  - 3、SEMI-CONDUCTIVE SHIELD: Molded Semi-conductive EPDM shield meets requirements of ANSI/IEEE Standard 592.
  - 4、COPPER CONDUCTING BAR: The conductive row is made of copper. It can ensure current smooth and play a good cooling effect.





概述 General

200A/600A 异形母排应用于带SF6负荷开关或真空断路器电缆分支箱,构造灵活多变,满足多种接线方式,分欧式与美式两种,有二通、三通、四通,可组合成200A接头,600A接头,600A、200A混合接头,带伞裙接头为欧式630A接头,可通过十字接头和丁字接头与开关连线端相连,实现全绝缘、全密封。

200A/600A Shaped busbar provide two, three or four 200A load break and 600A dead break, 15kV mixed interfaces on one side that are internally bused together and meet all requirements of ANSI/IEEE 386-Separable Insulated Connector Systems. When mated with a comparably rated product, the junction provides a fully shielded, fully insulated, separable connection for load break or dead break operation. It is available with an adjustable bracket for mounting at various operating angles on flat or cured surfaces.

标准包装 Kit Contents

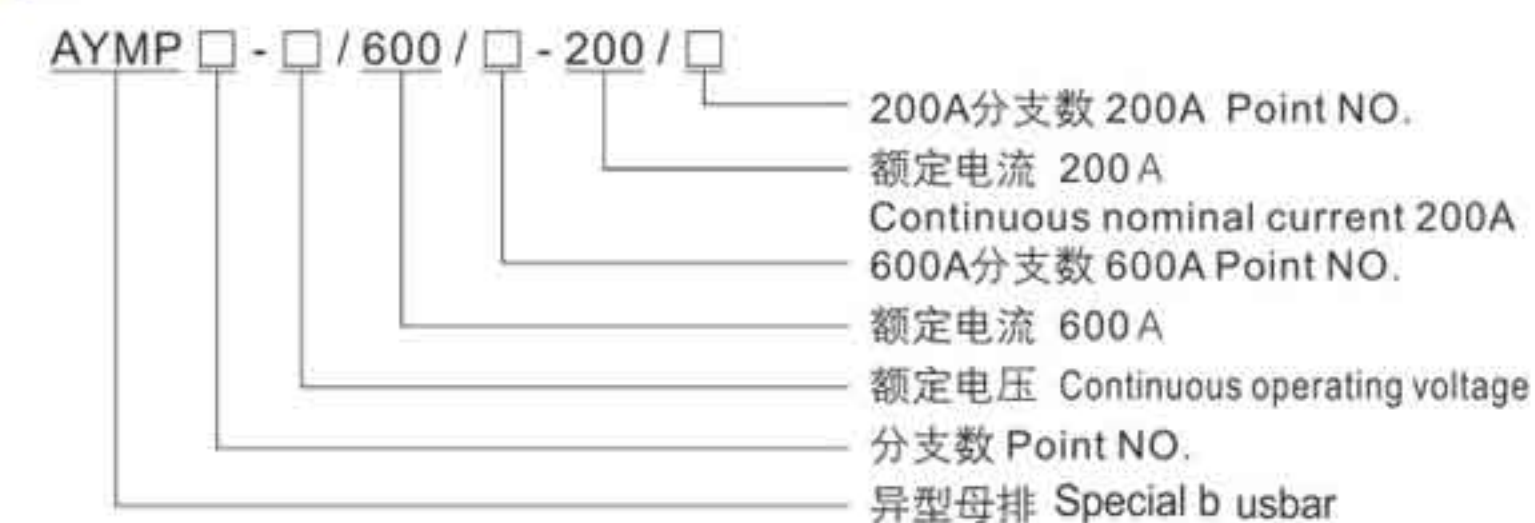
- 200A/600A异形母排本体
- 防尘帽(非绝缘保护帽)
- 安装指导说明书
- 产品合格证
- Special busbar body
- Covering cap
- Installation Instruction Sheet
- Quality Certificate

订货信息 Order Information

订货编号 Reference No.	额定电流 Continuous nominal current	分支数 Point NO.
A YMP2-15/600	600A	2
A YMP3-15/600		3
A YMP4-15/600		4
A YMP2-15/200		2
A YMP3-15/200	200A	3
A YMP4-15/200		4
A YMP2-15/630		2
A YMP3-15/630		3
A YMP4-15/630	630A	4
A YMP4-15/600/1-200/3		4
A YMP4-15/600/2-200/2		4
A YMP4-15/600/3-200/1		4
A YMP3-15/600/1-200/2	600A 200A 异形母排	3
A YMP3-15/600/2-200/1		3
A YMP2-15/600/1-200/1	Specific Junction	2

注:在选型时,请注明主回路的正(Z)或偏(P)形状。  
Note: In the model selection, please indicate the main loop is (Z) or partial (P) shape.

定货编号说明 Inference Information



15kV 600A 异形母排  
15kV 600A Shaped busbar



15kV 200A 异形母排  
15kV 200A Shaped busbar



15kV 600A 异形母排  
15kV 600A Shaped busbar



15kV 600A-200A 混合母排  
15kV 600A-200A Mixed busbars



15kV 600A-200A 混合母排  
15kV 600A-200A Mixed busbars

概述 General

600A/200A混合母排集合了200A和600A螺栓式的母排接口。混合母排由高品质EPDM制成,具有全绝缘、全密封的特性。

与T型电缆接头、T-II电缆接头或肘型电缆接头连接,配置灵活多样。

600A/200A Dead break mixed busbars is compound of 200A load break junction and 600A dead break junction. When mated with a comparably rated product, the junction provides a fully shielded, separable connection for load break or dead break operation. The 200A interface is connected with 200A load break connectors and the 600A interface is connected with dead break connectors. It is available with an adjustable bracket for mounting at various operating angles on flat or cured surfaces. The body is molded of high quality EPDM.

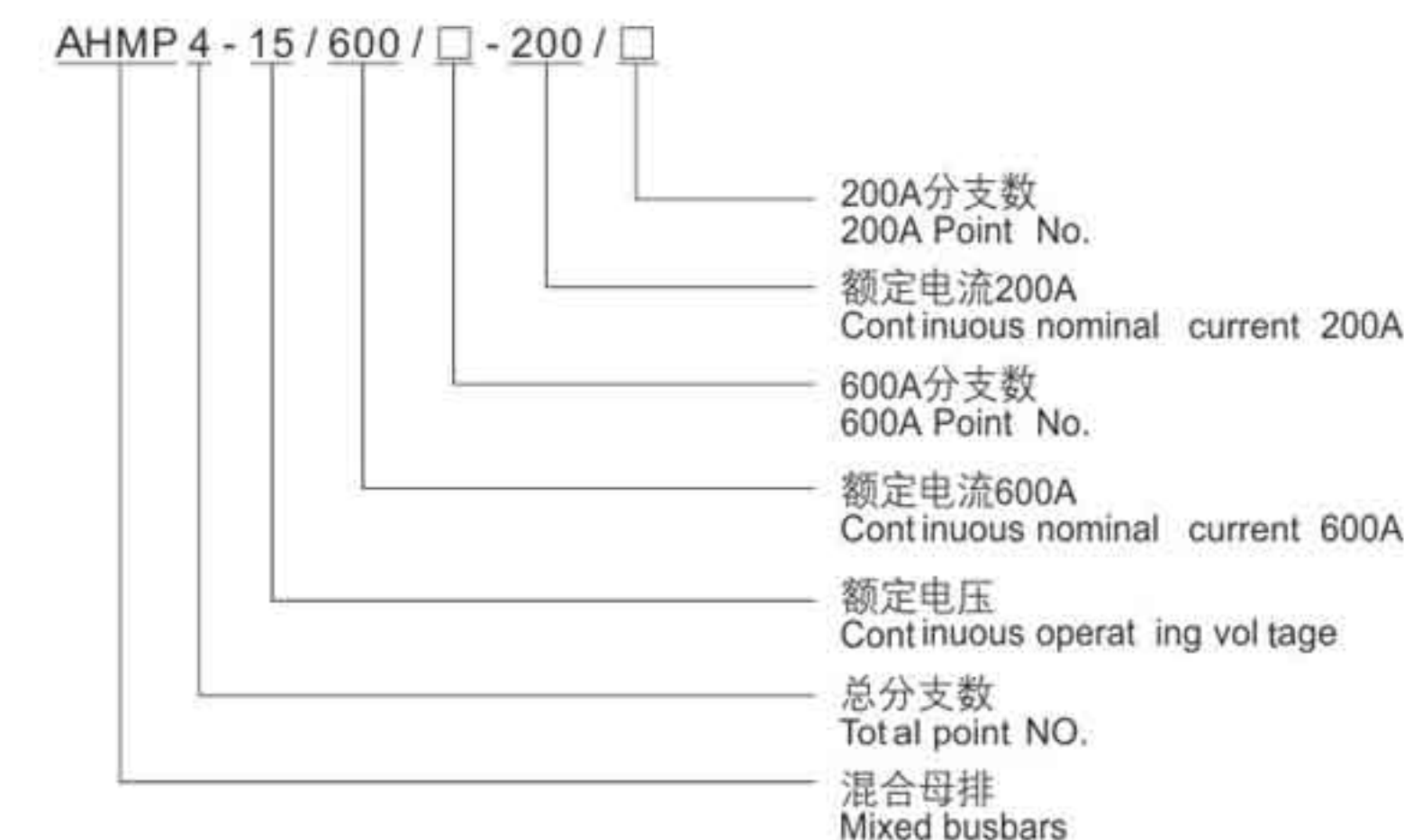
标准包装 Kit Contents

- 混合母排本体
- 防尘帽(非绝缘保护帽)
- 安装指导说明书
- 产品合格证
- Mixed busbar body
- Covering cap
- Installation Instruction Sheet
- Quality Certificate

订货信息 Order Information

订货编号Reference No.	额定电压 Continuous operating voltage
A HMP4-15/600/1-200/3	15kV
A HMP4-15/600/2-200/2	15kV
A HMP4-15/600/3-200/1	15kV

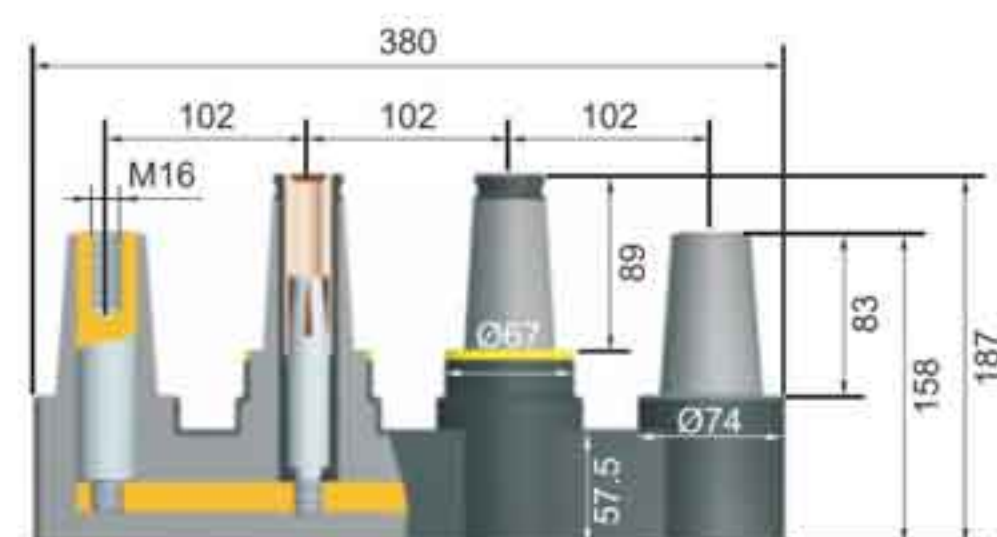
定货编号说明 Inference Information



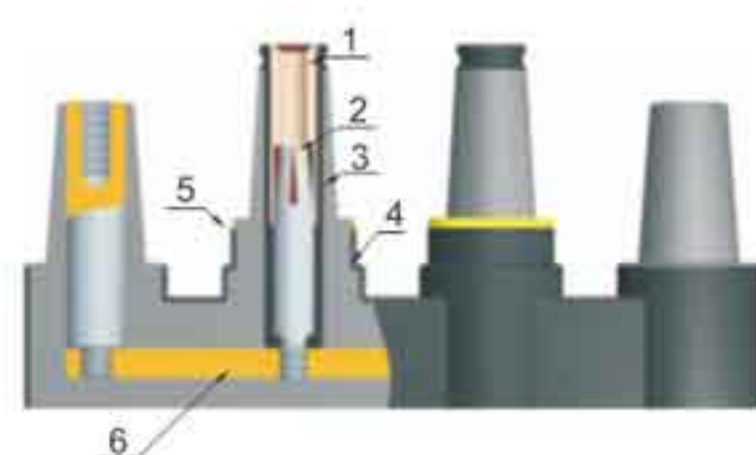
产品构造 Product Structure information

- 1、灭弧管：由特殊的消弧材料制作而成，在插拔操作时有效消除电弧；
- 2、插拔座：铜质接头紧固在铜质导电排上；
- 3、绝缘层：特有配方和混合技术确保预制EPDM绝缘橡胶的优秀品质；
- 4、外半导体层：特殊工艺处理的EPDM导电橡胶符合IEEE592标准；
- 5、指示黄圈：用于指示产品安装是否到位；
- 6、连接铜排：铜材料制成的导电排，保证电流顺畅的同时，能起到良好的冷却作用。

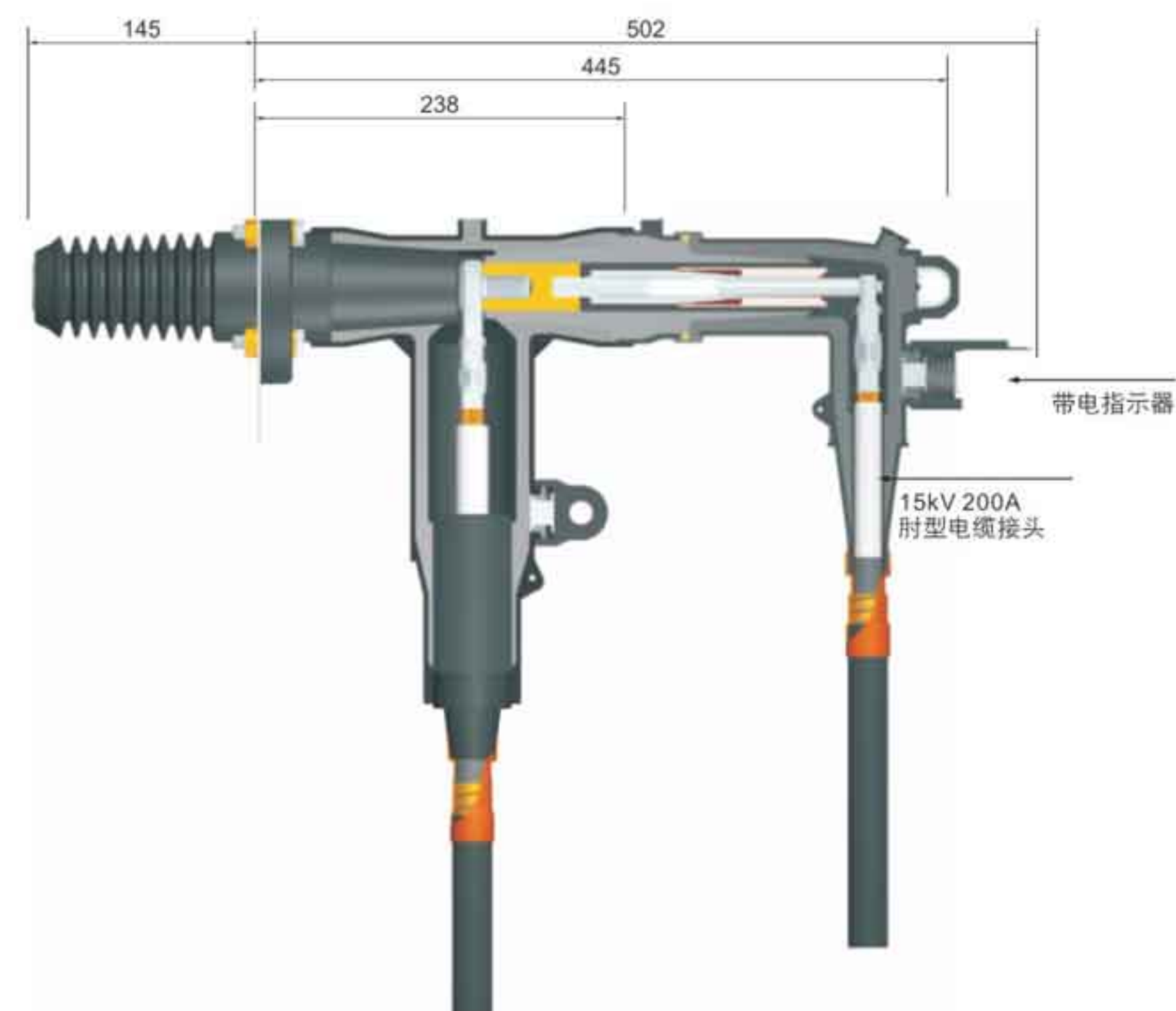
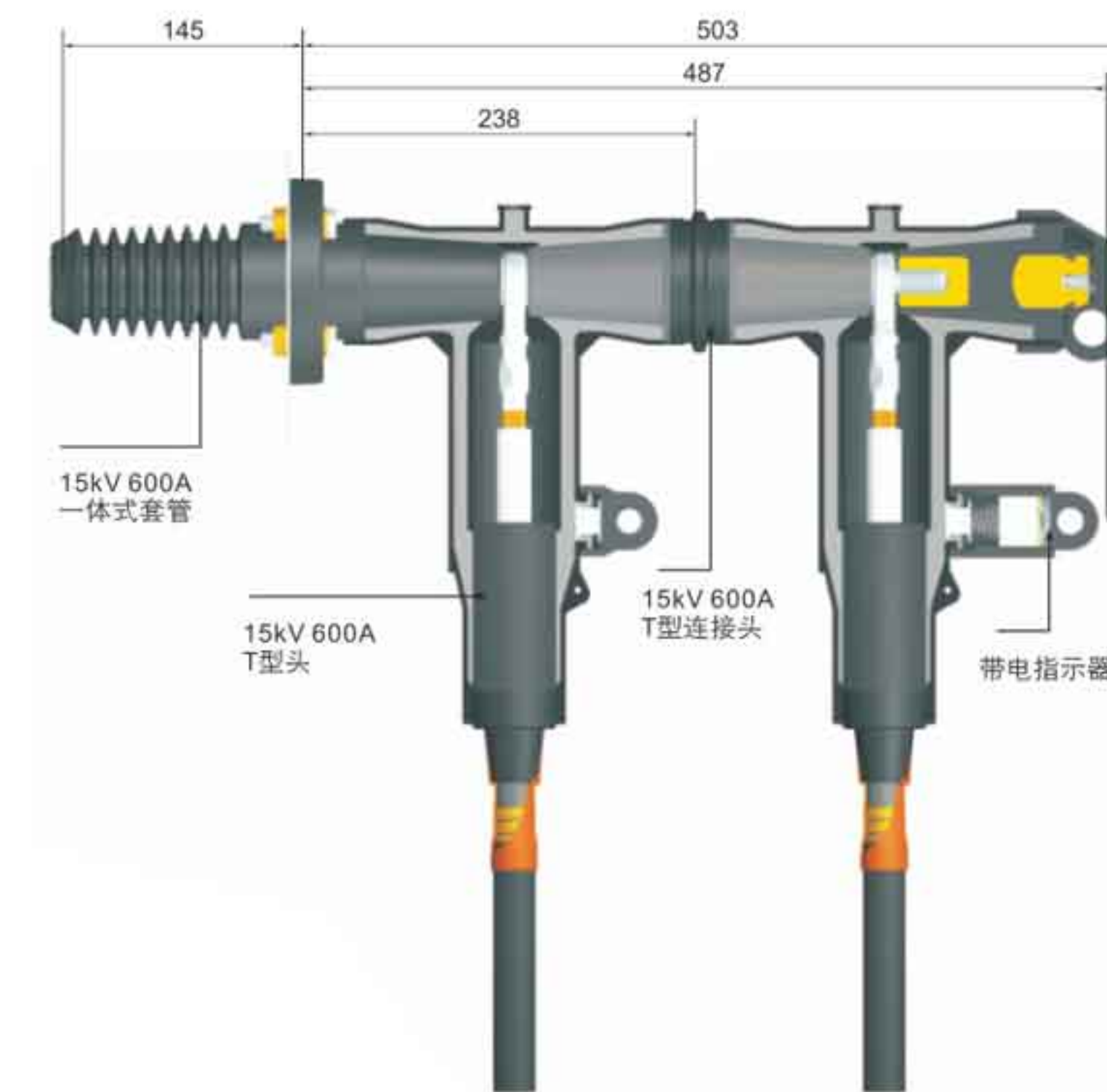
1. ARCING TUBE: Be made from special materials, Eliminate arc effectively when inserted operation.
2. INSERTED SEAT: Copper fittings arc fixed in copper conducting bar.
3. EPDM INSULATION: High-quality EPDM rubber formulated, mixed, and milled in-house for consistent and reliable field performance.
4. SEMI-CONDUCTIVE SHIELD: Molded Semi-conductive sulfur-cured EPDM shield meets requirements of IEEE Standard 592TM.
5. LATCH INDICATOR RING: Molded-in bright yellow ring eliminates elbow installation guesswork by assuring a quality connection.
6. COPPER CONNECTING: The conductive row is made of copper, It can ensure current smooth and play good cooling effect.

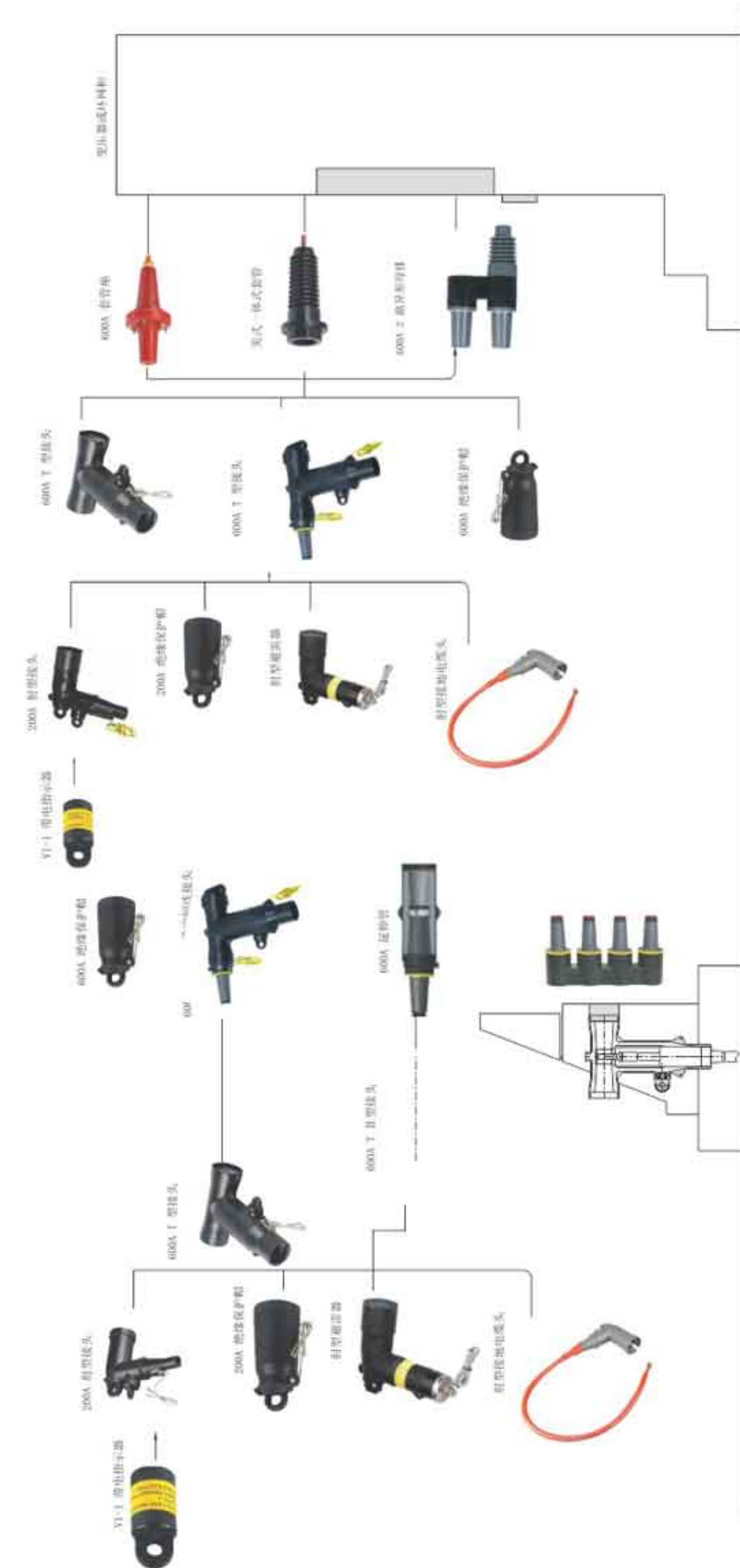
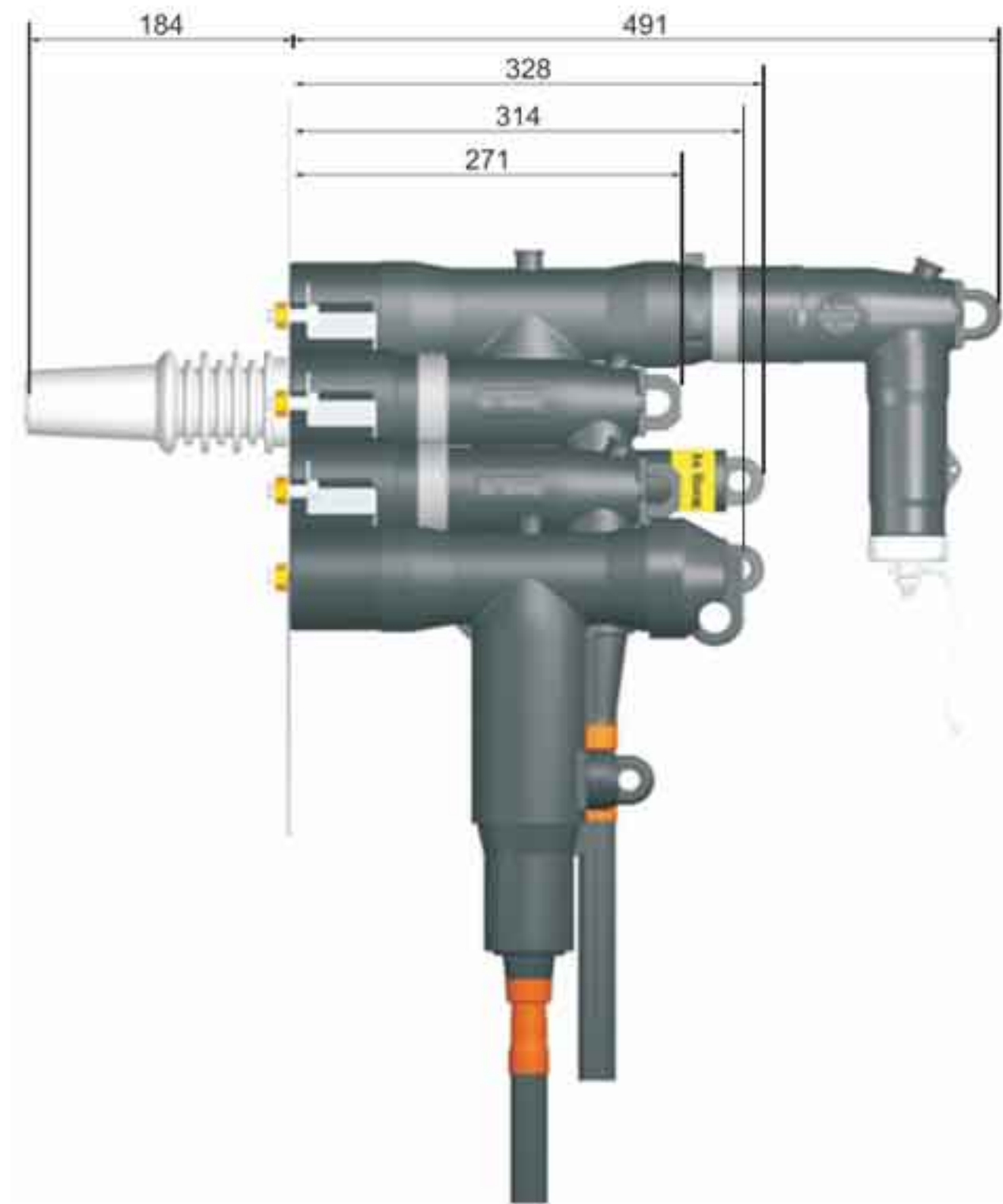
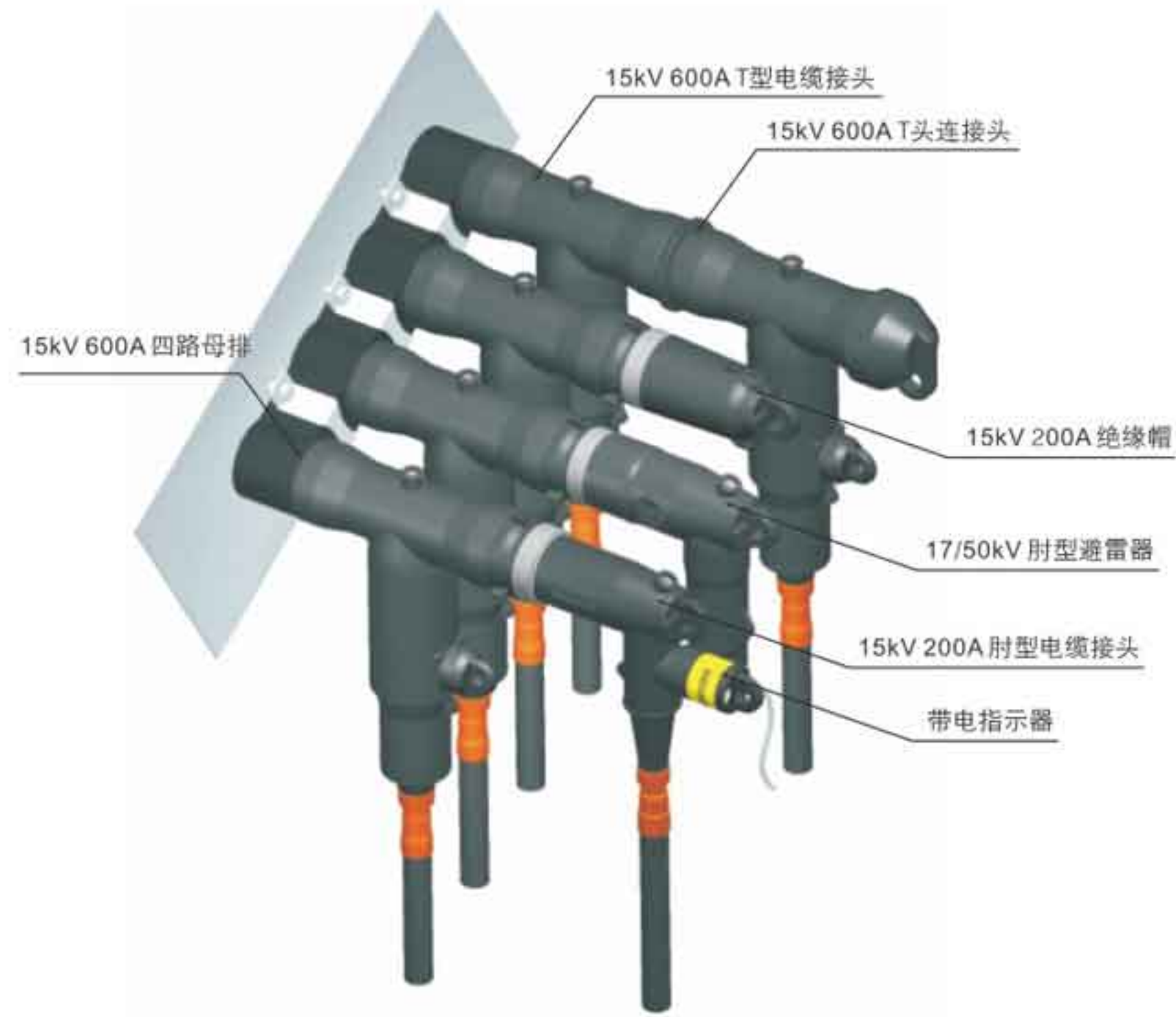


图一：外形尺寸图  
Figure 1: Dimensions



图二：产品构造图  
Figure 2: Product Structure Diagram







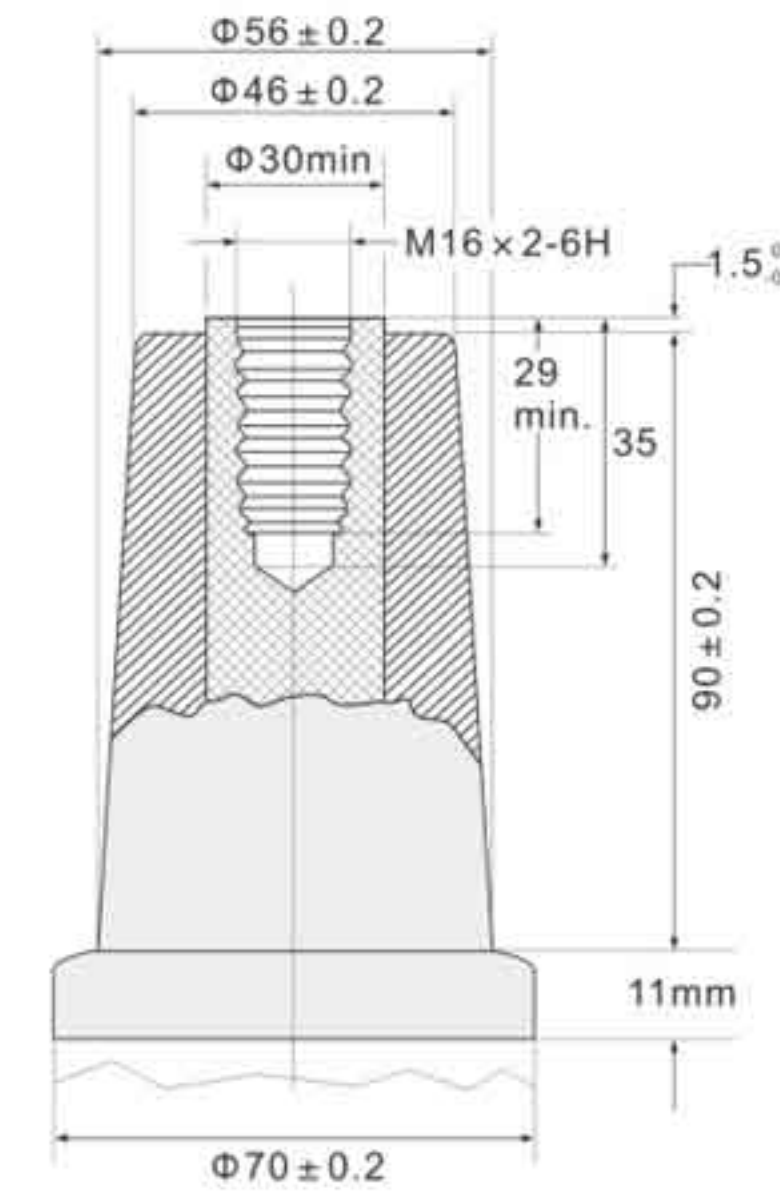
# 细致专业

成为国内最专注最完善  
最值得信赖的电力附件制造企业  
Become the most dedicated most perfect  
The most trusted manufacturer of power attachments

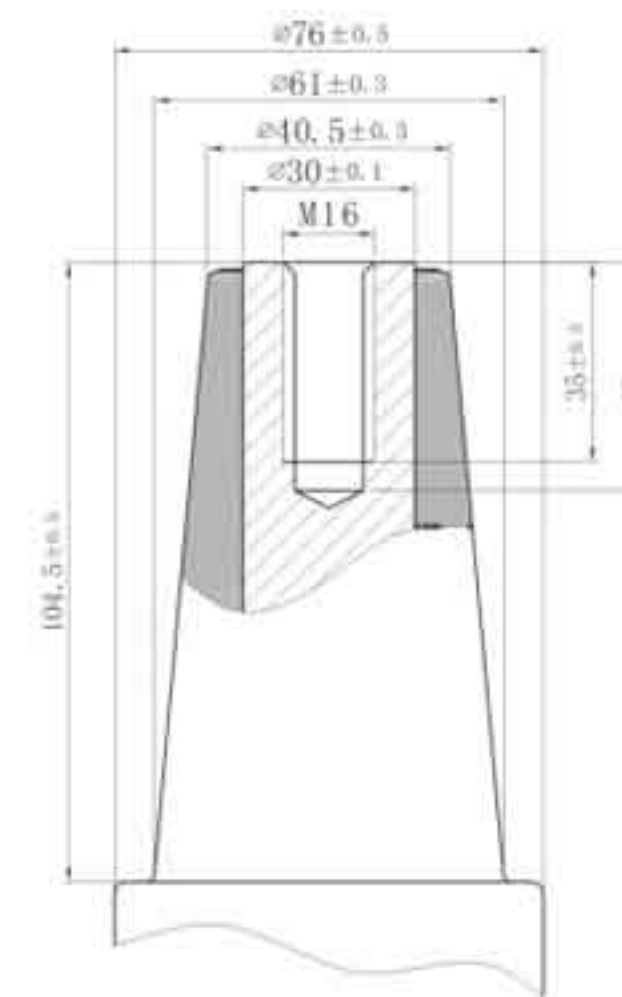


## E 630A 系列电缆附件

### 630A SERIES OF CABLE ACCESSORIES



630A标准接口  
符合CENELEC En501810和50181  
630A Interface Dimensions  
According to CENELEC En501810 & 50181



35kV 标准接口  
符合IEEE386标准  
35kV Interface Dimensions  
According to IEEE386 (in mm).

#### 执行标准 Implementation of standards

- DIN47636.7.1990带有伸出锥体的电力电缆可分附件套, Um在35 kV以下套管和可分连接件装置尺寸;
- ANSI IEEE592-1990高压电缆接头和可分离绝缘连接器的外露半导体护套;
- IEC60502额定电压1kV(Um=1.2kV)以上至30kV(Um=35 kV)挤出绝缘电力电缆及其附件;
- IEC61442额定电压6kV( Um=7.2 kV)至30kV(Um=35kV)电力电缆附件试验方法;
- GB/T12706额定电压1kV(Um=1.2kV)至35kV(Um=40.5kV)挤出绝缘电力电缆及其附件;
- GB311.1-2012高压输配电设备的绝缘配合;
- GB/T4109-1999高压套管技术条件;
- GB11032-2010交流无间隙金属氧化避雷器;
- DIN47636.7.1990带有伸出锥体的电力电缆可分附件套, Um在35kV以下套管和可分连接件装置尺寸。
- DIN47636.7.1990 Power cable with extension cones, separable sets of sleeves, dimensions of sleeves and separable couplings for Um up to 35 kV;
- Exposed semiconductor jackets for high-voltage cable splices and separable insulated connectors;
- Extruded insulated power cables and their accessories with rated voltages above 1 kV (Um = 1.2 kV) up to 30 kV (Um = 35 kV);
- Test methods for accessories for power cables with rated voltages from 6 kV (Um = 7.2 kV) to 30 kV (Um = 35 kV);
- Extruded insulated power cables and accessories with rated voltages from 1 kV (Um = 1.2 kV) to 35 kV (Um = 40.5 kV) GB / T.
- Insulation coordination of high - voltage transmission and distribution equipment GB311.1-1997;
- Specification for high - voltage bushing; GB / T41.9-1999.
- GB11032-2010 AC non-gap metal oxide surge arresters;
- Power cables with extended cones - Partition sets of sleeves,dimensions of sleeves and separable connectors with Um below 35 kV.

#### 电压特性 Continuous voltage ratings

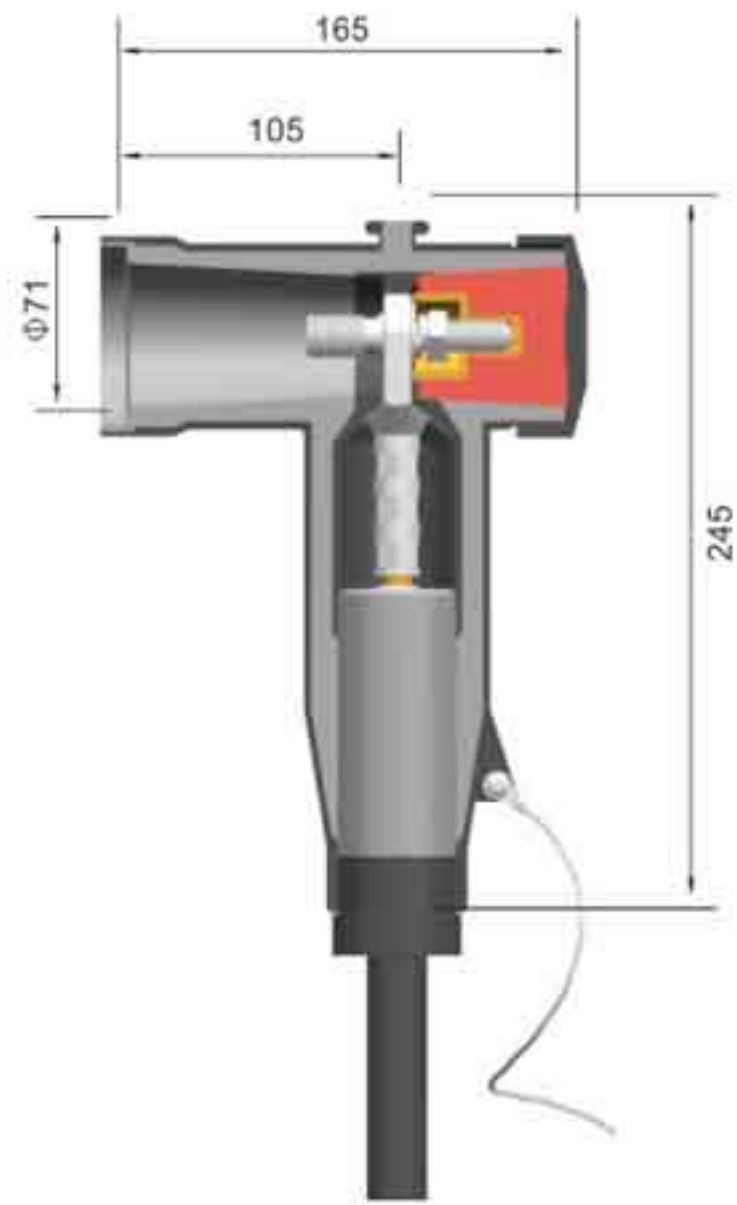
项目 Item	15kV参数 Parameter	25kV参数 Parameter	35kV参数 Parameter
额定电压 Continuous operating voltage	8.7kV/15kV	12/20kV 18/20kV	26kV/35kV
工频耐压 AC withstand voltage	45kV/1min	55kV/5min	117kV/5min
直流耐压 DC withstand voltage	53kV/15min	78kV/15min	104kV
雷电冲击耐压 1.5/50μs Impulse with stand voltage	95kV	125kV	215kV
局部放电电压<10PC Partial discharge voltage	13kV	20kV	45kV

#### 电流性能 Current rating

项目 Item	250AMP	600AMP
热稳定电流 Heat stable current	16kA 1s	30kA 2S
动稳定电流 Peak withstand current	40kA	105kA



AQJ-15/630A 欧式前接头  
AQJ-15/630A Deadbreak T Fore Connector



图一：外形尺寸图  
Figure 1: Dimensions

应用 Application

- 通过630A预制式接头实现单相或三相绝缘电缆和变压器、开关柜、分支箱等其他设备的连接。
- 适用于户内和户外安装。
- 最高系统电压24kV
- 持续额定电流630A (900A过载可持续8小时)
- 电缆特性
  - 聚合物绝缘 (XLPE、ERP等)
  - 铜或铝导体
  - 具有半导体或金属屏蔽
  - 导体尺寸: 15kV 25-400mm<sup>2</sup> 24kV 25-400mm<sup>2</sup>
- For connection of polymeric cable to transformers, switchgear, motors and other equipment with a premoulded separable connector.
- For indoor and outdoor installations.
- System voltage up to 24 kV.
- Continuous current 630 A (900 A overload for 8 hours).
- Cable particulars:
  - Polymeric cable (XLPE, EPR, etc.)
  - Copper or aluminum conductors
  - Semiconducting or metallic screens
  - Conductor size 15kV 25-400 mm<sup>2</sup> 24kV 25-400 mm<sup>2</sup>

性能 Features

- 当与适合的套管或插头配合时, 提供全屏蔽和全密封可分离连接;
- 可长期在水下和其他恶劣的条件下运行;
- 内置式电容测试点用以测定线路带电状态, 须与带电显示器配合使用;
- 无最小相间安全距离要求;
- 安装可以是垂直、水平或任意角度。
- Provides a fully screened and fully submersible separable connection when mated with the proper bushing or plug.
- Can be used under the circumstances
- Built-in capacitive test point to determine the circuit status or install a fault indicator.
- No minimum phase clearance requirements.
- Mounting can be vertical, horizontal, or any angle in between.

安装 Installation

- 无需任何特殊工具, 包带或填充;
- 电缆接头安装到相关部件后立即通电运行;
- 提供常规的装配件及安装说明书。  
(特殊要求请与我司联系)
- Without any special tools
- When finish the installation of elbow connector, the power can be supply directly.
- According to the Installation Instruction Sheet  
(any other special requirement, please contact our sales engineer)

8.7/10 8.7/15kV三芯交联聚乙烯绝缘钢带铠装聚氯乙烯护套电力电缆 (单位: mm)  
8.7/10 8.7/15kV Three-core cross-linked polyethylene insulated steel strip gauntlet PVC sheath power cable (Unit:mm)

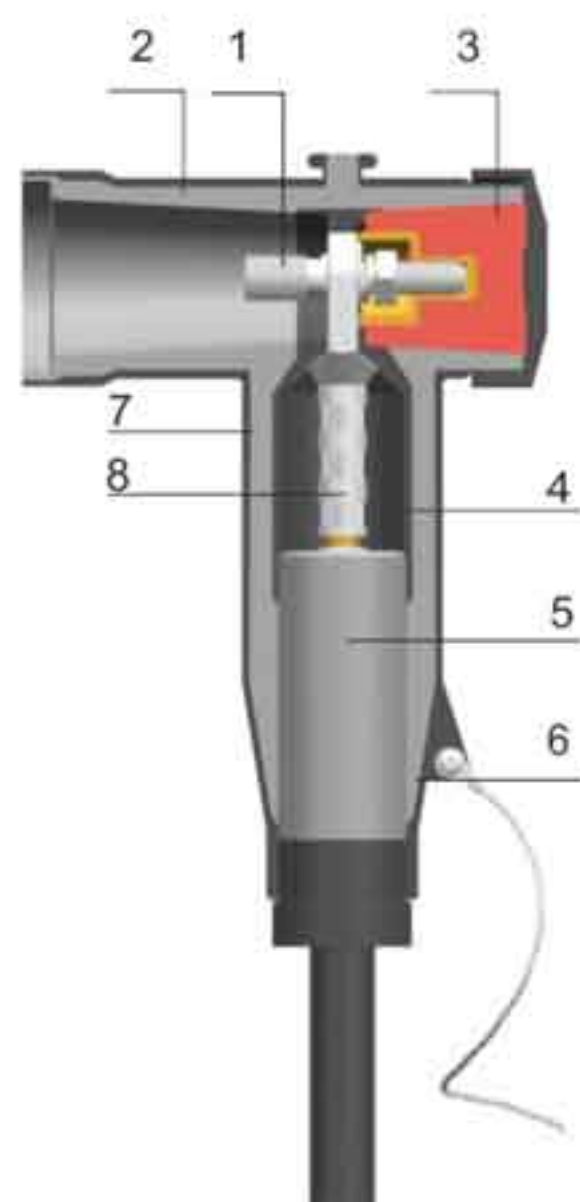
导体标称截面 Conductor section	导体直径 Conductor Diameter	绝缘厚度 Insulation thickness	绝缘层外径 Insulated outer diameter	外护套厚度 Outer sheath thickness	电缆近似直径 Cable approximate diameter	对应代号 Corresponding code
25	6.0	4.5	16.6	2.6	50.2	1#
35	7.0	4.5	17.6	2.6	52.3	1#
50	8.3	4.5	18.9	2.8	55.7	1#
70	9.8	4.5	20.4	2.9	49.4	2#
95	11.5	4.5	22.1	3	63.2	2#
120	12.9	4.5	23.5	3.1	66.7	3#
150	14.5	4.5	25.1	3.2	70.5	3#
185	16	4.5	26.6	3.3	74.1	4#
240	18.3	4.5	28.9	3.4	79.5	4#
300	20.5	4.5	31.1	3.8	86.2	5#
400	23.5	4.5	34.1	4	93.5	5#
500	26.7	4.5	37.3	4.2	101.2	6#

12/20kV三芯交联聚乙烯绝缘钢带铠装聚氯乙烯护套电力电缆 (单位: mm)  
12/20kV Three-core cross-linked polyethylene insulated steel strip gauntlet PVC sheath power cable (Unit:mm)

导体标称截面 Conductor section	导体直径 Conductor Diameter	绝缘厚度 Insulation thickness	绝缘层外径 Insulated outer diameter	外护套厚度 Outer sheath thickness	电缆近似直径 Cable approximate diameter	对应代号 Corresponding code
25	6.0	5.5	18.6	2.8	55.2	1#
35	7.0	5.5	19.6	2.8	57.4	2#
50	8.3	5.5	20.9	2.9	60.6	2#
70	9.8	5.5	22.4	3.1	64.1	3#
95	11.5	5.5	24.1	3.2	68.2	3#
120	12.9	5.5	25.5	3.3	71.5	3#
150	14.5	5.5	27.1	3.4	75.3	4#
185	16	5.5	28.6	3.5	78.9	4#
240	18.3	5.5	30.9	3.7	85.7	5#
300	20.5	5.5	33.1	3.9	91	6#
400	23.5	5.5	36.1	4.2	98.2	6#

18/20 18/30kV三芯交联聚乙烯绝缘钢带铠装聚氯乙烯护套电力电缆 (单位: mm)  
18/20 18/30kV Three-core cross-linked polyethylene insulated steel strip gauntlet PVC sheath power cable (Unit:mm)

导体标称截面 Conductor section	导体直径 Conductor Diameter	绝缘厚度 Insulation thickness	绝缘层外径 Insulated outer diameter	外护套厚度 Outer sheath thickness	电缆近似直径 Cable approximate diameter	对应代号 Corresponding code
50	8.3	8	25.9	3.3	75.1	3#
70	9.8	8	27.4	3.5	78.7	4#
95	11.5	8	29.1	3.6	84	4#
120	12.9	8	30.5	3.8	87.5	5#
150	14.5	8	32.1	3.9	91.3	5#
185	16	8	33.6	4	94.9	6#
240	18.3	8	35.9	4.2	100.3	7#
300	20.5	8	38.1	4.3	105.6	7#



图二：产品构造图  
Figure 2: Illustrate Design Integrity

标准包装 Kit Contents

- |               |                                     |
|---------------|-------------------------------------|
| ● 电缆前接头本体     | ● T Body                            |
| ● 绝缘子(含半导体封帽) | ● Insulator                         |
| ● 防尘帽(非绝缘保护帽) | ● Covering cap                      |
| ● 应力锥         | ● Adaptor                           |
| ● 压接端子        | ● Conductor cable lug               |
| ● 双头螺栓        | ● Two-head Screw                    |
| ● 硅脂、清洁纸      | ● Silicone Lubricant、Clearing Paper |
| ● 安装指导说明书     | ● Installation Instruction Sheet    |
| ● 产品合格证       | ● Quality Certificate               |

定货编号说明 Inference Information

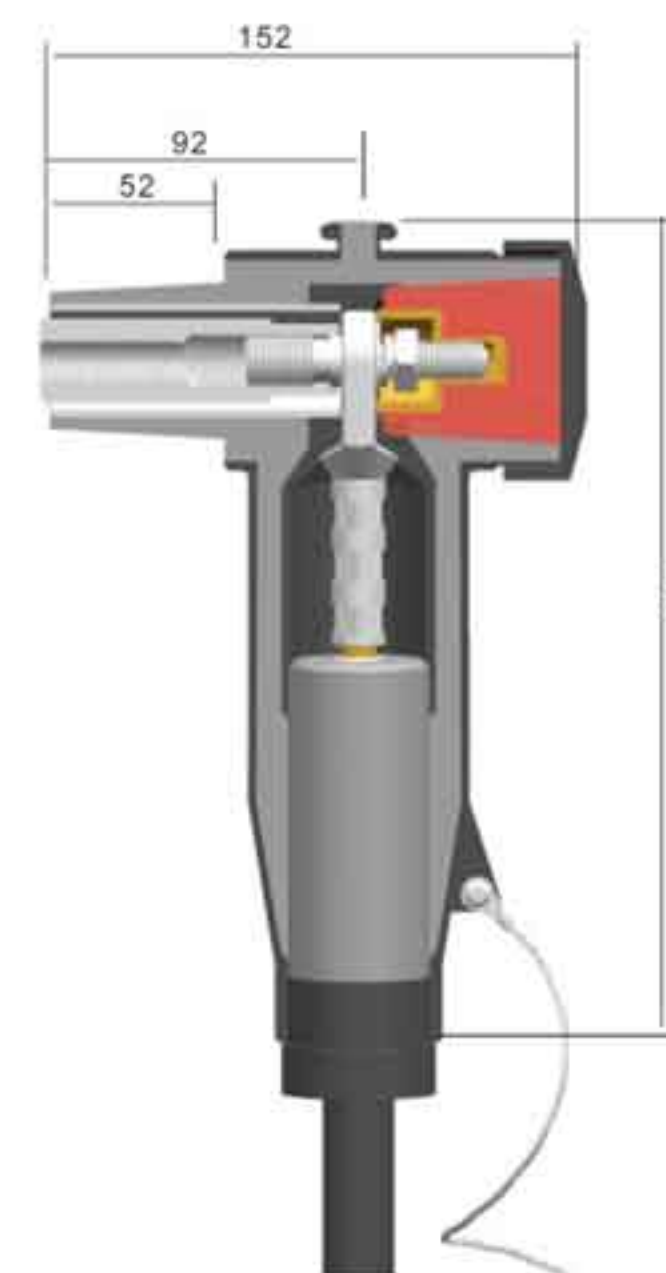


产品构造 Product Structure

- 1、双头螺栓：不锈钢螺栓确保导体和套管紧密配合。
  - 2、绝缘层：特有的配方和混合技术确保预制EPDM绝缘橡胶的优质品质。
  - 3、绝缘子：环氧树脂绝缘子内含有带螺纹金属件可以确保与双头螺栓紧密配合。
  - 4、内半导体层：预制的EPDM导电橡胶有效的控制电气应力。
  - 5、应力锥：不同尺寸的应力锥配合电缆接头使用，能确保水密封以及电缆应力释放。
  - 6、接地眼：预注到外屏蔽中用于接地线的连接。
  - 7、外半导体层：预制的EPDM导电橡胶与电缆屏蔽层搭接使屏蔽连续，并确保外半导体层处于接地状态。
  - 8、压接端子：全铜或铜铝压接端子适用于铜或铝导体。
- 1、TWO HEAD SCREW: To make sure have a good contact with the apparatus bushing.
  - 2、INSULATION: Moulded EPDM insulating rubber is formulated and mixed in-house to ensure high quality.
  - 3、INSULATING PLUG: Moulded epoxy insulating plug provides excellent electrical, thermal and mechanical reliability.
  - 4、SEMI-CONDUCTIVE INSERT: Moulded EPDM conducting rubber screen controls electrical stress.
  - 5、STRESS RELIEF: The configuration of the outer screen and the cable adaptor provide cable stress relief.
  - 6、GROUNDING EYE: Moulded into the external screen for connection of an earthing wire.
  - 7、SEMI-CONDUCTIVE SHIELD: Moulded EPDM conducting rubber mates with the cable screen to maintain screen continuity and ensure that the assembly is at earth potential.
  - 8、CONDUCTOR CABLE LUG: Aluminum compression connector is sized to ensure a cool running connector with maximum current transfer.



AHJ-15/630A 电缆后接头  
Deadbreak T Rear Connector



图一：外形尺寸图  
Figure 1: Dimensions

概述 General

630A 电缆后接头可和电缆前接头或另外的后接头连接，提供扩展的电缆连接回路（分支），它不能直接和套管座、穿墙套管连接。其尾部可直接用绝缘塞堵塞，也可扩展连接另一路电缆后接头或后接避雷器。

630A Deadbreak T Rear Connector can be use together with the T Fore connector and some other back connector, it can be provide more branches, and they can not together with the bushing directly, cover the back protection cap on the end of the blanking cover.

性能 Features

- 当与适合的套管或插头配合时，提供全屏蔽和全密封可分离连接；
- 可长期在水下和其他恶劣的条件下运行；
- 内置式电容测试点用以测定线路带电状态或安装带电指示器；
- 无最小相间安全距离要求；
- 安装可以是垂直、水平或任意角度。
- Provides a fully screened and fully submersible separable connection when mated with the proper bushing or plug.
- Can be used under the circumstances.
- Built-in capacitive test point to determine the circuit status or install a fault indicator.
- No minimum phase clearance requirements.
- Mounting can be vertical, horizontal, or any angle in between.

标准包装 Kit Contents

- 630A 电缆后接头本体
- 应力锥
- 压接端子
- 连接铜棒
- 双头螺栓
- 硅脂、清洁纸
- 安装指导说明书
- 产品合格证
- 630A Deadbreak T body
- Adaptor
- Conductor cable lug
- Connect lug
- Two head screw
- Silicone Lubricant、Clearing Paper
- Installation Instruction Sheet
- Quality Certificate

8.7/10 8.7/15kV三芯交联聚乙烯绝缘钢带铠装聚氯乙烯护套电力电缆 (单位: mm)  
8.7/10 8.7/15kV Three-core cross-linked polyethylene insulated steel strip gauntlet PVC sheath power cable (Unit:mm)

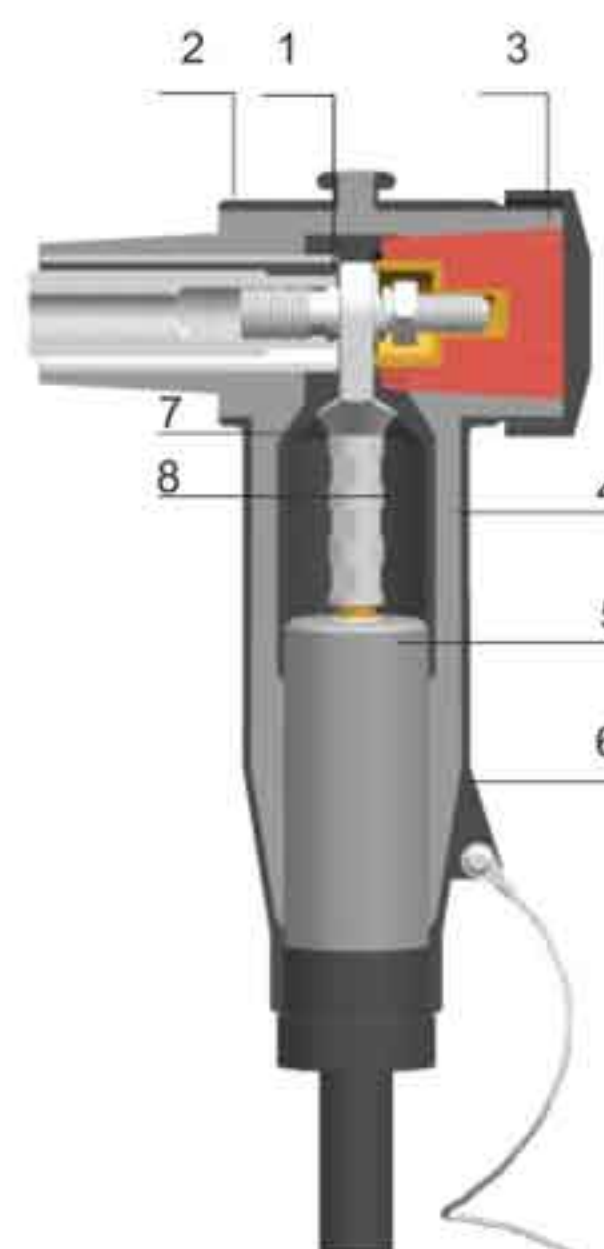
导体标称截面 Conductor section	导体直径 Conductor Diameter	绝缘厚度 Insulation thickness	绝缘层外径 Insulated outer diameter	外护套厚度 Outer sheath thickness	电缆近似直径 Cable approximate diameter	对应代号 Corresponding code
25	6.0	4.5	16.6	2.6	50.2	1#
35	7.0	4.5	17.6	2.6	52.3	1#
50	8.3	4.5	18.9	2.8	55.7	1#
70	9.8	4.5	20.4	2.9	49.4	2#
95	11.5	4.5	22.1	3	63.2	2#
120	12.9	4.5	23.5	3.1	66.7	3#
150	14.5	4.5	25.1	3.2	70.5	3#
185	16	4.5	26.6	3.3	74.1	4#
240	18.3	4.5	28.9	3.4	79.5	4#
300	20.5	4.5	31.1	3.8	86.2	5#
400	23.5	4.5	34.1	4	93.5	5#
500	26.7	4.5	37.3	4.2	101.2	6#

12/20kV三芯交联聚乙烯绝缘钢带铠装聚氯乙烯护套电力电缆 (单位: mm)  
12/20kV Three-core cross-linked polyethylene insulated steel strip gauntlet PVC sheath power cable (Unit:mm)

导体标称截面 Conductor section	导体直径 Conductor Diameter	绝缘厚度 Insulation thickness	绝缘层外径 Insulated outer diameter	外护套厚度 Outer sheath thickness	电缆近似直径 Cable approximate diameter	对应代号 Corresponding code
25	6.0	5.5	18.6	2.8	55.2	1#
35	7.0	5.5	19.6	2.8	57.4	2#
50	8.3	5.5	20.9	2.9	60.6	2#
70	9.8	5.5	22.4	3.1	64.1	3#
95	11.5	5.5	24.1	3.2	68.2	3#
120	12.9	5.5	25.5	3.3	71.5	3#
150	14.5	5.5	27.1	3.4	75.3	4#
185	16	5.5	28.6	3.5	78.9	4#
240	18.3	5.5	30.9	3.7	85.7	5#
300	20.5	5.5	33.1	3.9	91	6#
400	23.5	5.5	36.1	4.2	98.2	6#

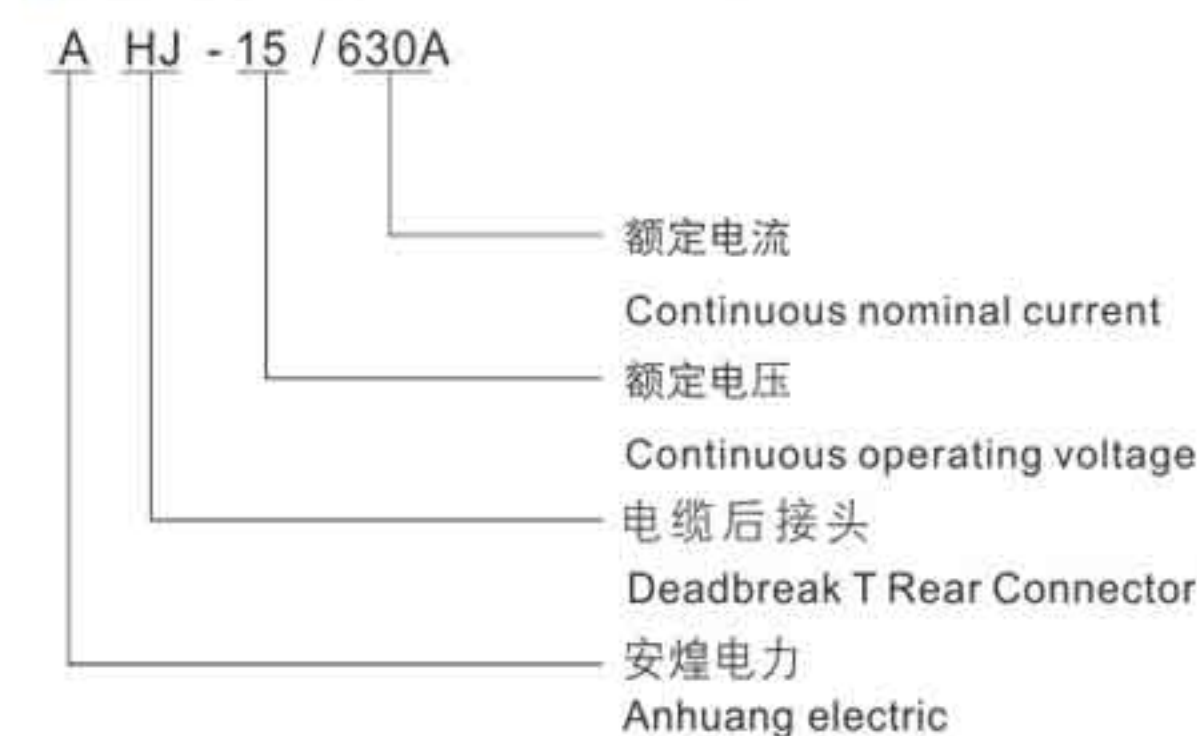
18/20 18/30kV三芯交联聚乙烯绝缘钢带铠装聚氯乙烯护套电力电缆 (单位: mm)  
18/20 18/30kV Three-core cross-linked polyethylene insulated steel strip gauntlet PVC sheath power cable (Unit:mm)

导体标称截面 Conductor section	导体直径 Conductor Diameter	绝缘厚度 Insulation thickness	绝缘层外径 Insulated outer diameter	外护套厚度 Outer sheath thickness	电缆近似直径 Cable approximate diameter	对应代号 Corresponding code
50	8.3	8	25.9	3.3	75.1	3#
70	9.8	8	27.4	3.5	78.7	4#
95	11.5	8	29.1	3.6	84	4#
120	12.9	8	30.5	3.8	87.5	5#
150	14.5	8	32.1	3.9	91.3	5#
185	16	8	33.6	4	94.9	6#
240	18.3	8	35.9	4.2	100.3	7#
300	20.5	8	38.1	4.3	105.6	7#



图二：产品构造图  
Figure 2: Illustrate Design Integrity

定货编号说明 Inference Information



产品构造 Product Structure

- 1、双头螺栓：不锈钢螺栓确保导体和套管紧密配合。  
TWO HEAD SCREW: To make sure have a good contact with the apparatus bushing.
- 2、绝缘层：特有的配方和混合技术确保预制EPDM绝缘橡胶的优质品质。  
INSULATION: Moulded EPDM insulating rubber is formulated and mixed in-house to ensure high quality.
- 3、绝缘子：环氧树脂绝缘子内含有带螺纹金属件可以确保与双头螺栓紧密配合。  
INSULATING PLUG: Moulded epoxy insulating plug provides excellent electrical, thermal and mechanical reliability.
- 4、内半导电层：预制的EPDM导电橡胶有效的控制电气应力。  
SEMI-CONDUCTIVE INSERT: Moulded EPDM conducting rubber screen controls electrical stress.
- 5、应力锥：不同尺寸的应力锥配合电缆接头使用，能确保水密封以及电缆应力释放。  
STRESS RELIEF: The configuration of the outer screen and the cable adapter provide cable stress relief.
- 6、接地眼：预注到外屏蔽中用于接地线的连接。  
GROUNDING EYE: Moulded into the external screen for connection of an earthing wire.
- 7、外半导电层：预制的EPDM导电橡胶与电缆屏蔽层搭接使屏蔽连续，并确保外半导电层处于接地状态。  
SEMI-CONDUCTIVE SHIELD: Moulded EPDM conducting rubber mates with the cable screen to maintain screen continuity and ensure that the assembly is at earth potential.
- 8、压接端子：全铜或铜铝压接端子适用于铜或铝导体。  
CONDUCTOR CABLE LUG: Aluminum compression connector is sized to ensure a cool running connector with maximum current transfer.

概述 General

后接避雷器能为电气系统提供可靠的过电压保护。屏蔽型的后接避雷器的外半导体层确保了安装和维护人员的人身安全及设备的安全运行，同时其抗紫外线，抗老化，防水，防潮的特性确保了产品在恶劣环境下的安全可靠运行。

后接避雷器与欧式前接头配合，确保电网安全运行。

17/50kV European-style followed by arrester provide a reliable protective medium voltage net work. using the semi-conductive shield to make sure the person is safe and the equipment can work well, also they have the high quantity to make sure they can work in the circumstances.

The 17/50kV European-style followed by arrester can be use together with the European front connector.

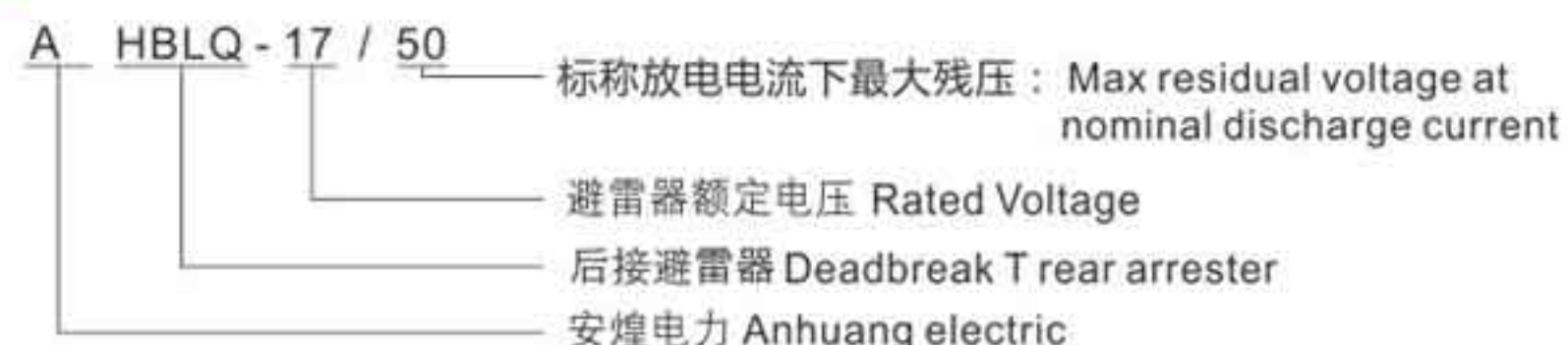
标准包装 Kit Contents

- 避雷器本体
- 双头螺杆
- 连接铜棒
- 硅脂
- 清洁纸
- 测试报告
- 安装指导说明书
- 产品合格证
- Arrester body
- Two head screw
- Insulator
- Clearing paper
- Silicone lubricant
- Testing report
- Installation instruction sheet
- Quality certificate

订货信息 Order Information

产品名称 Description	订货编号 Reference No.
17/50kV后接避雷器 Deadbreak T rear arrester	A HBLQ-17/50
17/45kV后接避雷器 Deadbreak T rear arrester	A HBLQ-17/45

定货编号说明 Inference Information

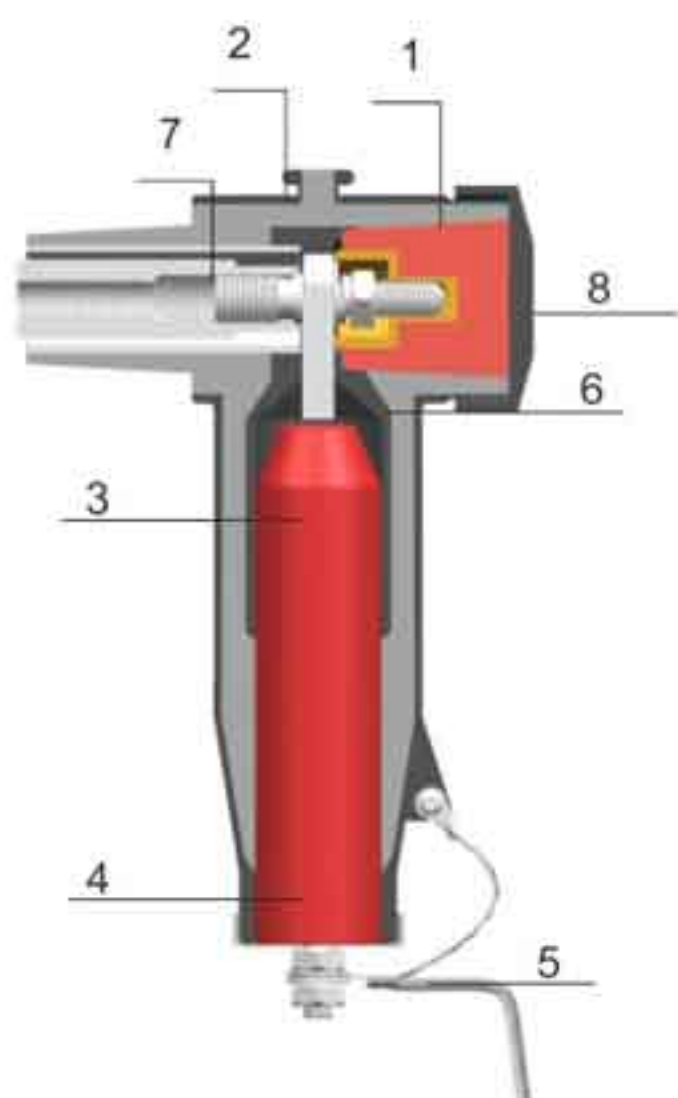


产品构造 Product Structure

- 1、绝缘层：特有配方和混合技术确保预制EPDM绝缘橡胶的优质品质。
- 2、外半导体层：预制的EPDM导电橡胶符合IEEE592标准。
- 3、避雷器芯子：由经过特殊工艺处理的氧化锌避雷器阀片组成。
- 4、铜质底盖：铜质底盖与避雷器外导电层紧密结合，使避雷器有效防水，并为避雷器提供接地点。
- 5、接地线：避雷器下端自带的接地线，用于将雷电冲击电压有效牵引到接地位置。
- 6、内半导体层：预制的EPDM导电橡胶有效的控制电气应力。
- 7、双头螺栓：镀锡的铜螺栓确保导体和套管紧密配合。
- 8、绝缘子端盖：使产品具有绝缘密封作用。



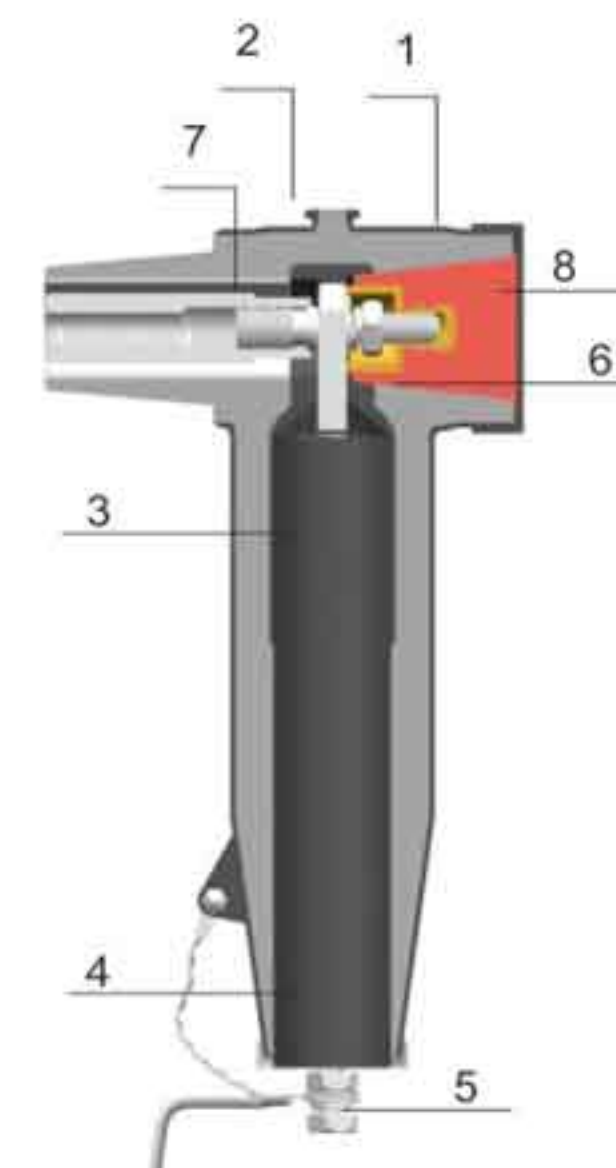
A HBLQ-17/50后接避雷器  
A HBLQ-17/50 Deadbreak T Rear arrester



产品构造图  
Illustrate Design Integrity



A HBLQ-35/78后接避雷器  
A HBLQ-35/78 Deadbreak T Rear arrester



产品构造图  
Illustrate Design Integrity

概述 General

24kV后接避雷器能为电气系统提供可靠的过电压保护。屏蔽型的后接避雷器的外半导体层确保了安装和维护人员的人身安全及设备的安全运行，同时其抗紫外线，抗老化，防水，防潮的特性确保了产品在恶劣环境下的安全可靠运行。

后接避雷器与电缆前接头配合，确保电网安全运行。

The 24kV Deadbreak T rear arresters can provide reliable over-voltage protection for the electrical system. The shielded Deadbreak T rear arresters's outer semiconductor conductive layer ensures the safety of the person when make installation or maintenance, meanwhile the characteristic performance of moisture-proof, anti-ultraviolet, anti-aging, waterproof, ensures the safe and reliable operation of the product in harsh environment. After connecting the Deadbreak T rear arrester with the Deadbreak T fore connector to ensure the safe operation of the power grid.

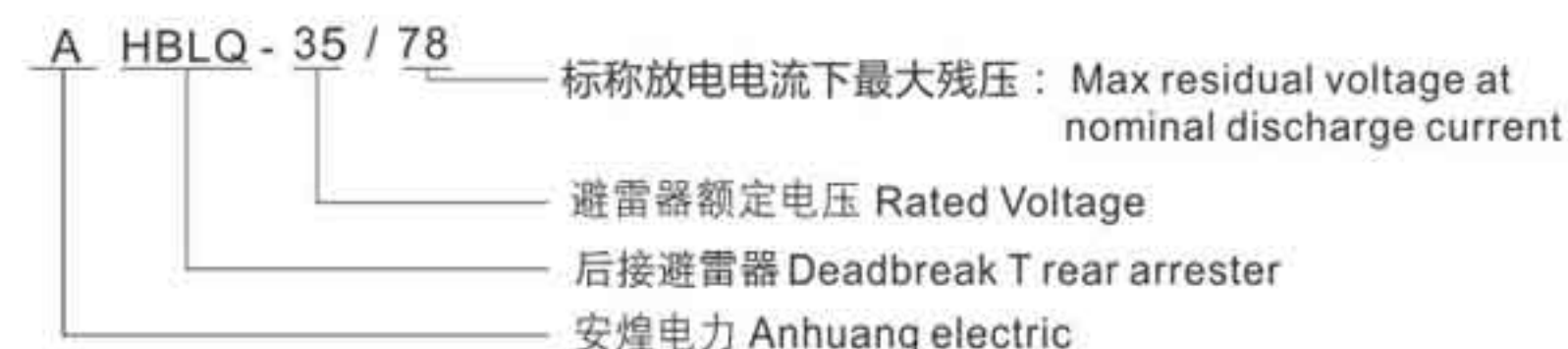
标准包装 Kit Contents

- 肘型避雷器本体
- 硅脂
- 清洁纸
- 安装指导说明书
- 产品合格证
- 出厂报告
- Elbow Surge Arrester
- Silicone Lubricant
- Clearing Paper
- Installation Instruction Sheet
- Quality Certificate
- Testing report

订货信息 Order Information

产品名称 Description	订货编号 Reference No.	额定电压 Continuous operating voltage	冲击耐压 Continuous nominal current
35/78kV接避雷器	A HBLQ-35/78	35kV	78kV

定货编号说明 Inference Information



产品构造 Product Structure

- 1、绝缘层：特有的配方和混合技术确保预制EPDM绝缘橡胶的优质品质；
- 2、外半导体层：预制的EPDM导电橡胶符合IEEE592标准；
- 3、避雷器芯子：由经过特殊工艺处理的氧化锌避雷器阀片组成；
- 4、铜质底盖：铜质底盖与避雷器外导电层紧密结合，使避雷器有效防水，并为避雷器提供接地点；
- 5、接地线：避雷器下端自带的接地线，用于将雷电冲击电压有效牵引到接地位置。
- 1、 EPDM INSULATION: High quality sulfur cured EPDM insulation is mixed and formulated in-house for complete control of insulating rubber characteristics.
- 2、 SEMI-CONDUCTIVE SHIELD: Molded semi-conductive EPDM shield meets requirements of ANSI/IEEE Standard 592.
- 3、 ARRESTER CORE: Compose of the zinc oxide lightning arrester valve slice which through special process treatment.
- 4、 PROBE: Probe provides reliable conductive path with mating female contacts.
- 5、 GROUNDING WIRE: (Optional for larger grounding wire) Used for impulse voltage effective after leads to grounding position.





带接地线的标准绝缘帽  
Insulated Protective Cap



概述 General

15kV/24kV 630A 绝缘帽是带电套管的附属配件，为带电套管提供绝缘封套，对不带电的接头提供防尘，防潮封套。

630A绝缘帽可以安装在630A套管、母排及壁挂等设备上，当母排和电缆接头预留有备用出线时，必须用630A绝缘帽将其密封。

15kV/24kV 630A Insulated Protective Cap is an accessory device designed to electrically insulate and mechanically seal load break bushing interfaces. When mated to a load break product and the drain wire is attached to ground, the Insulated Protective Cap provides a fully shielded, submersible insulating cover for energized bushings. The Insulated Protective Cap can be used for permanent or temporary installation on 200A bushings, junctions or insulated stand off bushing.

标准包装 Kit Contents

- 绝缘帽
- 清洁纸
- 硅脂
- 安装指导说明书
- 产品合格证
- Insulated protective cap
- Clearing paper
- Silicone lubricant
- Installation instruction sheet
- Quality certificate

订货信息 Order Information

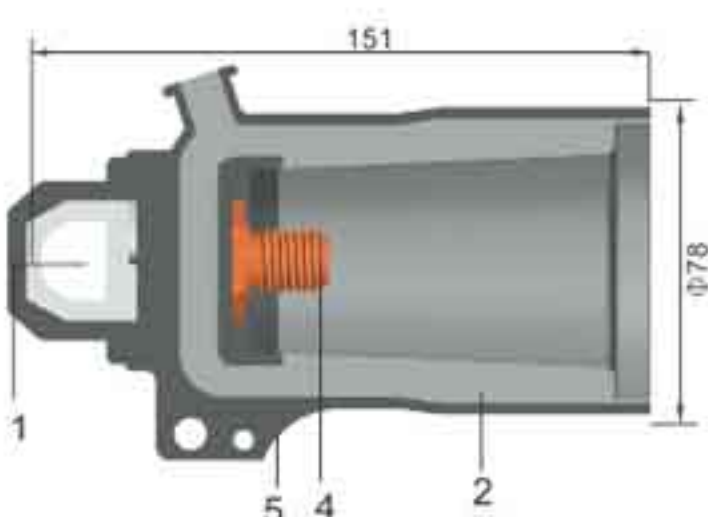
产品名称 Description	订货编号 Reference No.
630A 15kV绝缘帽 Insulated Protective Cap	A JYM-15/630
630A 24kV绝缘帽 Insulated Protective Cap	A JYM-24/630

定货编号说明 Inference Information

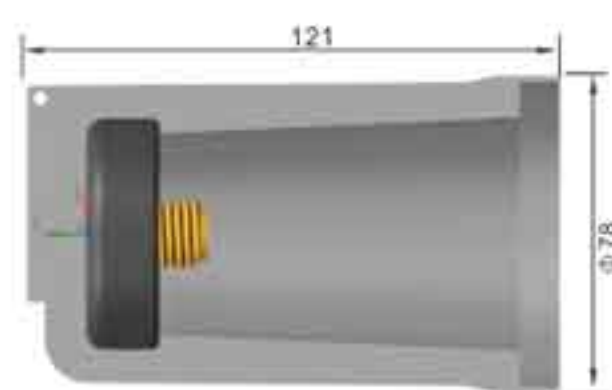


产品构造 Product Structure

- 操作环：由不锈钢制成，方便产品的安装与操作；
- 绝缘层：特有配方和混合技术确保预制EPDM绝缘橡胶的优质品质；
- 外半导体层：预制式的EPDM导电橡胶符合IEEE592标准；
- 内螺纹：内部螺纹为M16-2；
- 接地眼：通过接地眼，使产品接地。
- The operating ring: made of stainless steel to facilitate the installation and operation of products;
- The insulation layer: a unique formula and mixing technology to ensure that pre-EPDM insulation rubber quality;
- The outer semiconducting layer: prefabricated EPDM conductive rubber in line with IEEE592 standard;
- Internal thread: internal thread for the M16-2;
- Grounded eye: ground through the eye, the product ground.



产品构造图  
Illustrate Design Integrity



A PZT-15/200A PT肘型电缆接头  
AH AZT-15/200A PT Elbow Connector



JDZ12A-10R 电压互感器  
JDZ12A-10R Voltage transformer



JSZV16-10, 6R 型电压互感器  
JSZV16-10, 6R Voltage transformer

概述 General

PT肘型电缆接头用于为电动操作机构提供操作电源或计量保护用的JDZ12A-10R互感器高压侧的全绝缘、全屏蔽、全密封联接，适用电缆截面35-120mm<sup>2</sup>。

为全绝缘、全屏蔽、全密封产品插拔连接非常简单，有可靠的防松脱装置。适用于15kV电缆截面为35-50mm<sup>2</sup>的交联聚乙烯电缆。

Elbow Connector is a fully-shielded and insulated plug-in termination for connection underground cable to distribution power system of pad-mound transformer, surrounding power supply branch box, cable branch box equipped with load break bushings. The elbow connector and bushing insert comprise the essential components of all load break connections. It can mate with 200A Bushing insert and 200A jack of T-II Connector, 200A Junction, load break bushing insert (Load break rotatable feedthru insert), apparatus bushing and 600A/200A bushing extender. It can operating switch of 200A loading current. The test point is used to connect Hot Voltage Indicator. The Load break Elbows are molded using high quality sulfur-cured insulating and semi-conducting EPDM rubber.

The available conductor cross section is 35-50mm<sup>2</sup> for 15kv cable. The conductive pole W/ARCExtinguishes function.

标准包装 Kit Contents

- PT肘型电缆接头
- 测试点盖
- 接地线
- 标志环
- 熔断器
- 清洁巾
- 硅脂
- 压接端子
- 安装指导说明书
- 合格证
- Elbow connector
- Test point cap
- Grounding wire
- Loadbreak brand
- Fuse
- Clearing paper
- Silicone lubricant
- Conductor cable lug
- Installation instruction sheet
- Quality certificate

订货信息 Order Information

产品名称 Description	订货编号 Reference No.	额定电压 Continuous operating voltage	额定电流 Continuous nominal current
PT肘型电缆接头 PT Elbow Connector	APZT-15/200A	15kV	200A

定货编号说明 Inference Information



概述 General

屏蔽型PT连接套件是在一端采用屏蔽型电缆前(后)接头,另一端采用PT肘型电缆接头,加以全屏蔽型软电缆制作而成。全部安装完成后加以接地线,来实现全屏蔽、全密封。此产品可以任意弯曲,电缆长度可定制,达到最佳优化方案。

The shielded PT connection kit is a Deadbreak T fore(rear) connector with a shielded cable at one end and a PT elbow cable connector at the other end, and is made of a fully shielded soft cable. After all the installation is completed, grounding lines are used to achieve full shielding and full sealing. This product can be arbitrarily bent, cable length can be customized to achieve the best optimization plan.



屏蔽型电缆前接头+PT肘型电缆接头  
Deadbreak T fore connector + PT Loadbreak Elbow



屏蔽型电缆后接头+PT肘型电缆接头  
Deadbreak T rear connector + PT Loadbreak Elbow



A SJT-15/630A 十字接头  
A SJT-15/630A Cross connector



A DJT-15/630A 丁字接头  
A DJT-15/630A T-joint



A MX-□ 母线  
A MX-□ Bus

型号 Type

- AMX-15(25)/630A 屏蔽型/非屏蔽型
- MX-15(25)/1250A 屏蔽型/非屏蔽型

- A PPMJ-615 \ 624 (630A Shielded busbar)
- A PPMJ-1215 \ 1224 (1250A Shielded busbar)

应用 Applications:

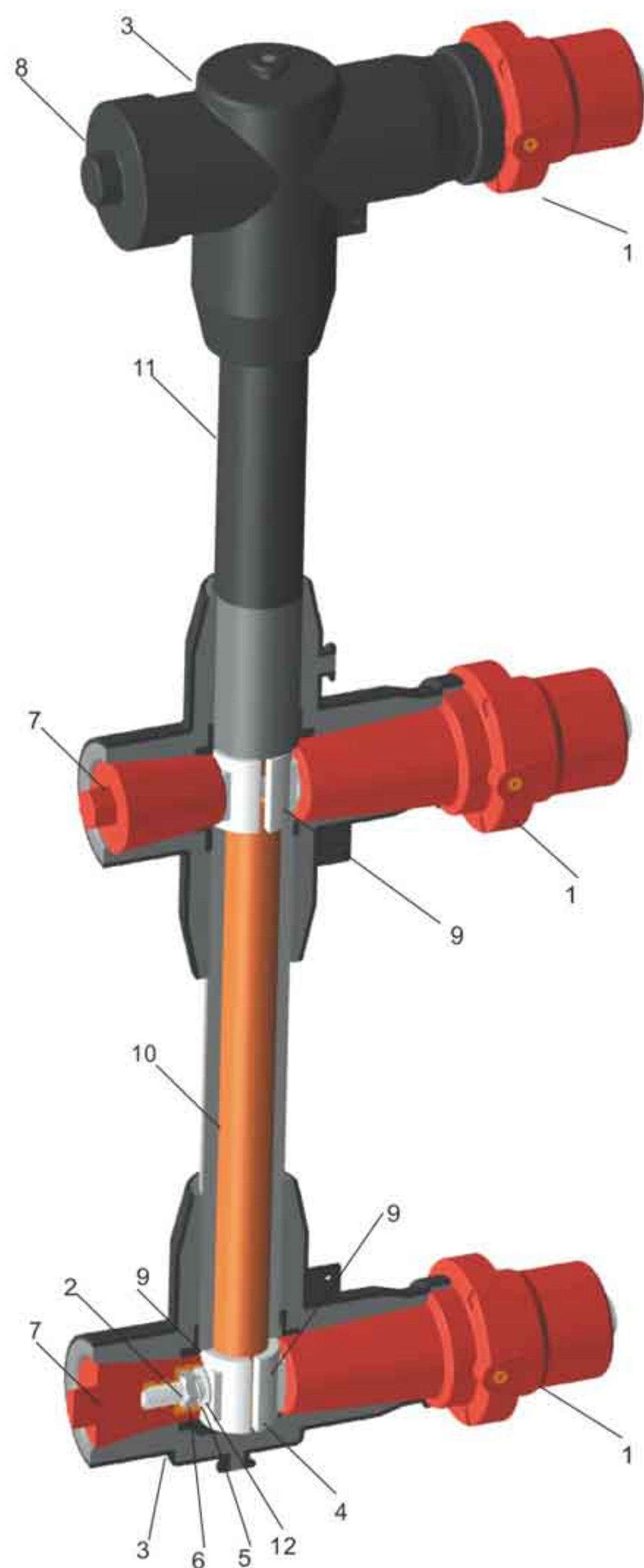
- 通过与开关柜套管连接,可实现多台开关柜之间连接。
- 系统电压: 8.7/15kV \ 12/20kV。
- 持续额定电流: 630A \ 1250A。
- Connection with the switchgear casing can be achieved between multiple switchgear connection.
- System voltage: 8.7 / 15kV \ 12 / 20kV.
- Continuous rated current: 630A \ 1250A.

特性 Characteristics:

- 与C型套管配合时,可提供全绝缘和全密封可分离连接。单极,插接式设计。
- 母线由圆铜棒(管)组成,外表复合硅橡胶绝缘层。
- 屏蔽型母线无最小相间距离要求,不受污染和凝漏的影响。
- When combined with Type C bushings, a fully insulated and fully hermetically separable connection is provided. Unipolar, plug-in design.
- Busbar from the round copper rod (tube) composition, surface composite silicone rubber insulation.
- Shielded busbar with no minimum interphase distance requirements, free from pollution and condensate leakage.

订货须知 Ordering Information

- 母线加工长度L以两开关柜设备套管中心距为依据,订货时务必提供参数;若以母线长度为依据,请明确。
- Bus length L to two switchgear equipment casing center distance as the basis, when ordering to provide parameters; if the bus Length as the basis, please specify.



- 1、630A设备套管
- 2、双通变径螺杆
- 3、丁字接头
- 4、平衡垫块
- 5、M12弹垫
- 6、M12螺母
- 7、绝缘塞
- 8、屏蔽罩
- 9、母线夹
- 10、屏蔽母线
- 11、十字接头
- 12、M12平垫

安装提示：母线与接头对接前，必须先将母线夹和平衡件与母线组装好后，再一起插入接头内。



型号 Type

ARMX-12/630A

应用 Applications

- 通过与开关柜套管连接，可实现多台开关柜之间柔性连接。
- 系统电压：8.7/15kV。
- 持续额定电流：630A。
- Connection with the switchgear casing can be achieved between multiple switch-gear connection.
- System voltage: 8.7 / 15kV.
- Continuous rated current: 630A.

特性 Characteristics:

- 与适合的套管配合时，可提供全绝缘和全密封可分离连接。
- 单极，插接式设计。
- 母线由铜排组成，外表复合硅橡胶绝缘层。
- 母线连接采用硅橡胶绝缘的终端接头和十字接头。
- 不受污染和凝漏的影响。
- 非屏蔽型母线需加装防护罩。
- When combined with a suitable sleeve, a fully insulated and fully hermetically separable connection is provided.
- Unipolar, plug-in design.
- Busbar from the copper composition, appearance composite silicone rubber insulation.
- Busbar connections are made of silicone rubber insulated terminal connectors and cross connectors.
- free from pollution and condensate leakage.
- Unshielded bus should be installed with protective cover.



订货须知 Ordering instructions:

母线加工长度L以两开关柜设备套管中心距为依据，订货时务必提供参数；若以母线长度为依据，请明确。

Bus length L to two switchgear equipment casing center distance as the basis, when ordering to provide parameters; if the bus Length as the basis, please specify.



侧扩连接器



侧扩连接器



侧扩套管



侧扩套管

型号 Type

- ANLM-615/624 630A
- AJYZ-615/624 630A
- ANLM-1215/1224 1250A
- AJYZ-1215/1224 1250A
- AJYFD-15/24
- ANLM-615/624 630A Internal cone-shaped busbar connector
- AJYZ-615/624 630A Inner cone-shaped bus insulators
- ANLM-1215/1224 1250A Internal conical busbar connector
- AJYZ-1215/1224 1250A Internal cone-shaped bus insulators
- AJYFD-15/24 Inner cone-shaped bus insulator insulation block

应用 Application

- 通过与开关柜内锥绝缘子连接，可实现多台开关柜之间的电气连接。
- 系统电压：8.7/15kV\12/20kV。
- 持续额定电流：630A\1250A。
- By connecting with the cone insulator in the switch cabinet, the electrical connection between several switchgears can be realized.
- System voltage: 8.7 / 15kV \ 12 / 20kV.
- Continuous rated current: 630A \ 1250A.

特性 Characteristic

- 与适合的内锥绝缘子配合时，可提供全屏蔽和全密封可分离连接。
- 母线连接采用大电流弹性触指设计，可满足开关柜额定及短路耐受电流。
- 特殊结构设计，可防止局部放电和保证绝缘特性。
- 无最小相间距离要求，不受污染和凝漏的影响。
- 现场安装简便，并柜安全可靠。
- When fitted with a suitable internal cone insulator, a fully shielded and fully hermetically separable connection is provided.
- Bus connection with high current flexible finger design, to meet the switchgear rated and short-circuit withstand current.
- Special structural design, to prevent partial discharge and to ensure the insulation properties.
- No minimum distance between the requirements, not affected by pollution and leakage of condensate.
- Site installation is simple, safe and reliable counter.



型号 Type

开关柜外锥形设备套管或现场需要进行交流耐压或冲击电压试验时，往往需要安装电缆接头或更多的绝缘防护工程，而实际电缆接头安装需要非常高的技巧，同时试验成本也非常高昂，尤其在高电压等级上体现明显，开关柜试验终端具有安装简单，试验可靠等许多优点，是成套设备厂出厂检测，供电局安装公司现场检测的好帮手。

When an AC voltage or impact voltage test is required for the conical device casing outside the switchgear or on the spot, it is often necessary to install cable joints or more insulation protection works. The actual cable connector installation requires very high skills and the test cost is also very high. In particular, the high-voltage level shows obvious, the switchgear test terminal has many advantages such as simple installation, reliable testing, etc.. It is a good helper for factory to do inspection and power supply bureau to install the company's on-site inspection.

订货信息 Order Information

产品名称 Item Name	型号规格 Model	额定电压 Rated Voltage
630A试验工装 630A Test probe	ASYGZ-24/630A	12(24)kV
630A试验工装 630A Test probe	ASYGZ-35/630A	(35)kV



15kV 630A 异形母排  
15kV 630A Specific Junction



15kV 630A 异形母排  
15kV 630A Specific Junction



15kV 630A 异形母排  
15kV 630A Specific Junction

概述 General

630A异形母排应用于带SF6负荷开关或真空断路器电缆分支箱，构造灵活多变，满足多种接线方式，分欧式与美式两种，有二通、三通、四通，可组合成630A接头，630A混合接头，带伞裙接头为欧式630A接头，可通过十字接头和丁字接头与开关连线端相连，实现全绝缘、全密封。

630A Specific Junction provide two, three or four 630A dead break, 15kV mixed interfaces on one side that are internally bused together and meet all requirements of ANSI/IEEE 386-Separable Insulated Connector Systems. When mated with a comparably rated product, the junction provides a fully shielded, fully insulated, separable connection for load break or dead break operation. It is available with an adjustable bracket for mounting at various operating angles on flat or cured surfaces.

标准包装 Kit Contents

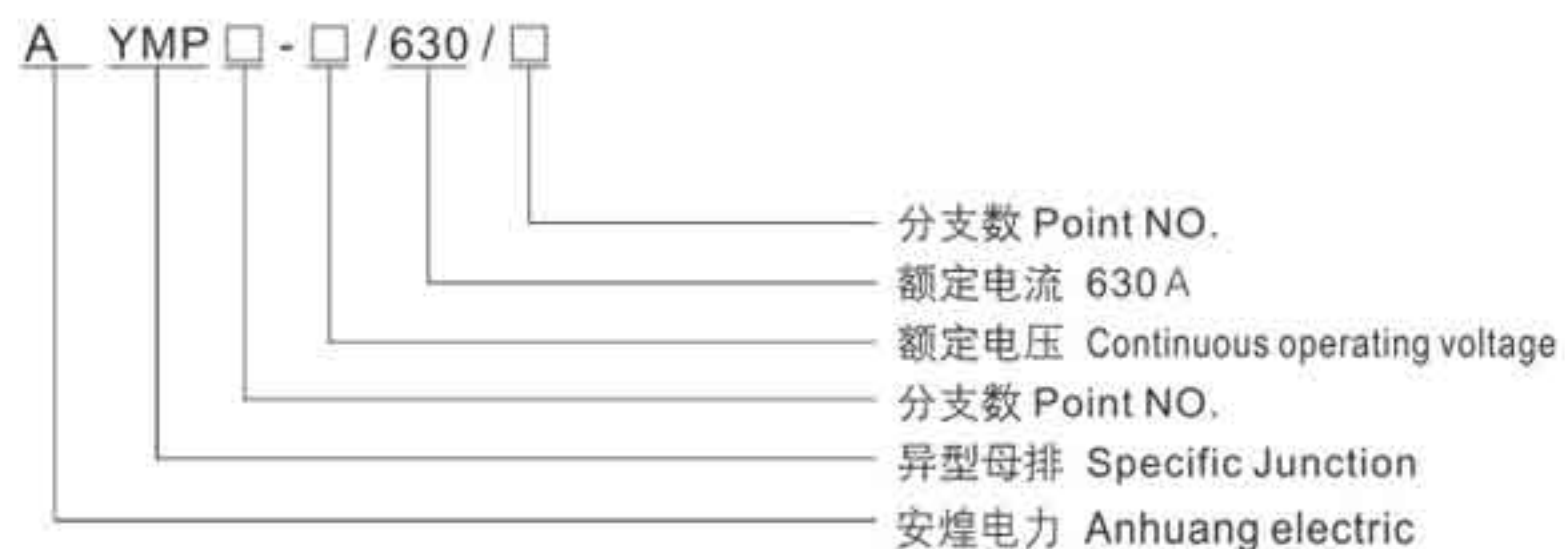
- 630A异形母排本体
- 防尘帽 (非绝缘保护帽)
- 安装指导说明书
- 产品合格证
- Specific Junction
- Covering cap
- Installation Instruction Sheet
- Quality Certificate

订货信息 Order Information

订货编号 Reference No.	额定电流 Continuous nominal current	分支数 Point NO.
A YMP2-15/630	630A	2
A YMP3-15/630		3
A YMP4-15/630		4

注：在选型时，请注明主回路的正（Z）或偏（P）形状。  
Note: In the model selection, please indicate the main loop is (Z) or partial (P) shape.

定货编号说明 Inference Information



630A π 型可触摸前接头  
630A π type touchable front connector



概述 General

π 型电缆前接头应用于环网柜、电缆分支箱的主网系统或箱变的环网系统，作为进出线电缆连接。可连接630A母线排，亦可通过连接可触摸后接头进行多组合连接，形成多回路。

π 型电缆前接头额定电流630A，适用于25-400mm<sup>2</sup>截面的XLPE电力电缆。

π Type touchable front connector is used in ring network before the ark, cable branch of the box or box become main system ring net system, as the in and out cable connections. Can be connected to 630A junction and through after s-hall touch joint combination to creating more connected circuit.

The rated current of π type touchable front connector is 630A, apply to 25-400mm<sup>2</sup> XLPE power cables of the section.

8.7/10 8.7/15kV三芯交联聚乙烯绝缘钢带铠装聚氯乙烯护套电力电缆 (单位: mm)

8.7/10 8.7/15kV Three-core cross-linked polyethylene insulated steel strip gauntlet PVC sheath power cable (Unit:mm)

导体标称截面 Conductor section	导体直径 Conductor Diameter	绝缘厚度 Insulation thickness	绝缘层外径 Insulated outer diameter	外护套厚度 Outer sheath thickness	电缆近似直径 Cable approximate diameter	对应代号 Corresponding code
25	6.0	4.5	16.6	2.6	50.2	1#
35	7.0	4.5	17.6	2.6	52.3	1#
50	8.3	4.5	18.9	2.8	55.7	1#
70	9.8	4.5	20.4	2.9	49.4	2#
95	11.5	4.5	22.1	3	63.2	2#
120	12.9	4.5	23.5	3.1	66.7	3#
150	14.5	4.5	25.1	3.2	70.5	3#
185	16	4.5	26.6	3.3	74.1	4#
240	18.3	4.5	28.9	3.4	79.5	4#
300	20.5	4.5	31.1	3.8	86.2	5#
400	23.5	4.5	34.1	4	93.5	5#
500	26.7	4.5	37.3	4.2	101.2	6#



35kV 630A T型电缆前接头  
35kV 630A T Cable Connector

概述 General

35kV 630A T型电缆前接头选用EPDM(三元乙丙橡胶)制成, 全绝缘, 全密封。用于高压地下电缆连接设备, 如风能变电站, 环网柜及电缆分接箱等, 其额定电流为630A, 可连接相关规格的电缆, 也可以在电缆上加装电缆型故障指示器, 能快速准确的查找故障点。

35kV 630A T Cable Connector provides a fully screened and fully submersible connection when mated with the proper bushing or plug. For connection of polymeric cable to transformers, switchgear, motors, and other equipment with a premoulded separable connector. Optional capacitive test point allows for an easy check of the circuit status or installation of a fault indicator. These 36kV 630A T Cable Connector are made by EPDM with the good quality.

电气性能 Ratings Overview

电流特性 Current Rating

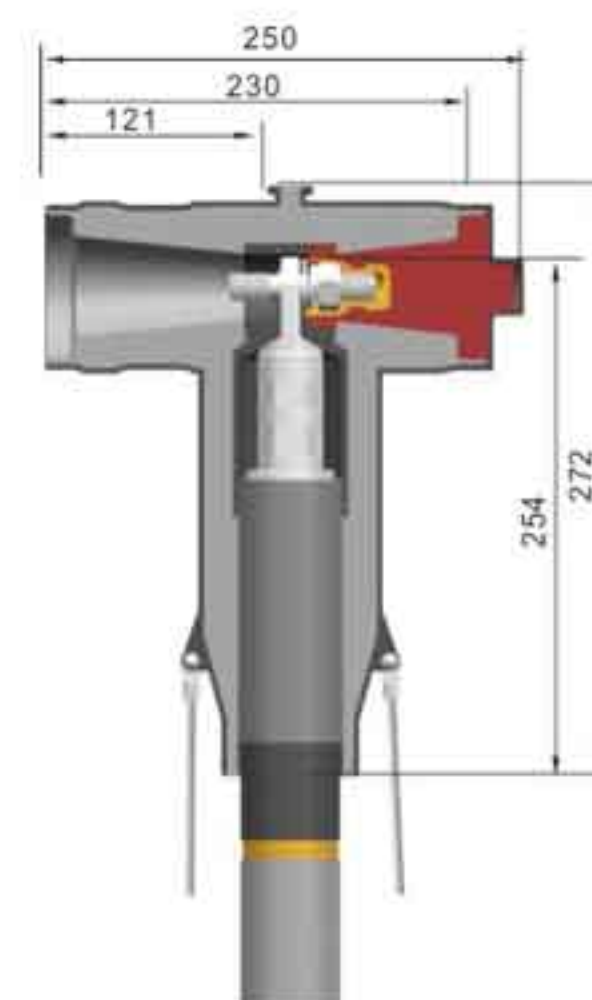
电流特征 Current Rating	A
额定电流 Continuous nominal current	630 A
24小时过负荷 24 hours overload	1,000 A
短时耐受电流 Dynamic short circuit	27kA/3s
	40kA/0.2s

电压特性 Continuous Voltage Ratings

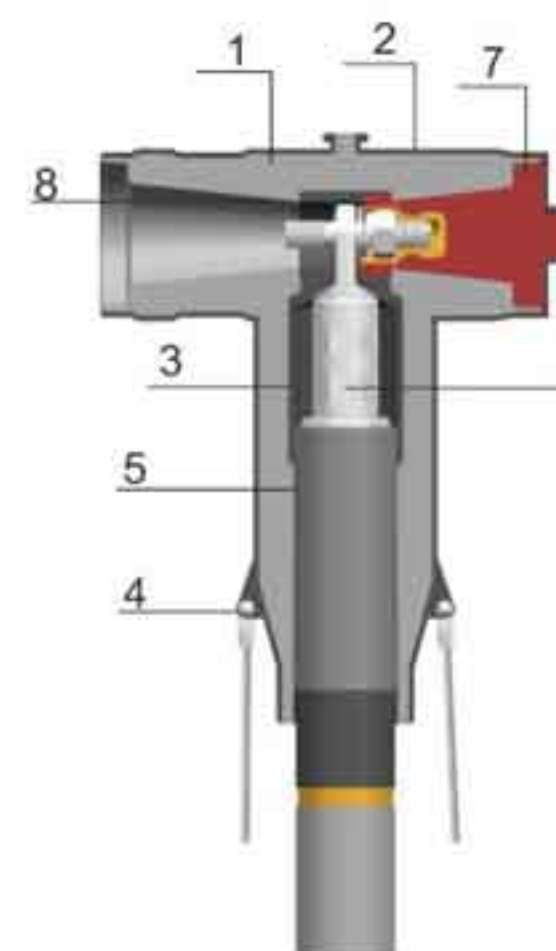
主要参数 Description	Parameters (kV)
额定电压 Continuous operating voltage	35
最大相间电压 Maximum Rating Phase-to-Phase	40.5
最大相对地电压 Maximum Rating Phase-to-ground	26
5分钟工频耐压 AC withstand voltage ,5min	117
15分钟直流耐压 DC withstand voltage ,15min	104
雷电冲击耐压 Impulse withstand voltage	200
最低电晕起始电压 Minimum Corona Voltage Level	26

标准包装 Kit Contents

- T型电缆前接头本体
- 绝缘子(含半导电封帽)
- 压接端子
- 应力锥
- 双头螺栓
- 清洁纸
- 硅脂
- 安装指导说明书
- 产品合格证
- Deadbreak T Body
- Insulation
- Conductor cable lug
- Adaptor
- Two head screw
- Clearing Paper
- Silicone Lubricant
- Installation Instruction Sheet
- Quality Certificate



图一：外形尺寸图  
Figure 1: Dimensions

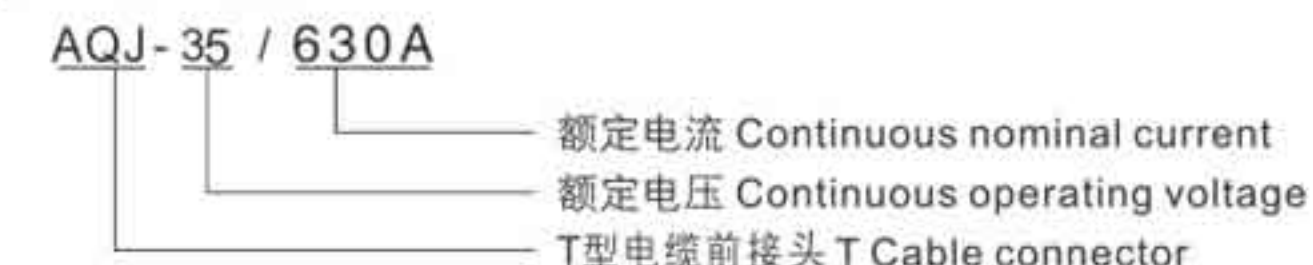


图二：产品构造图  
Figure 2: Illustrate Design Integrity

26/35kV三芯交联聚乙烯绝缘钢带铠装聚氯乙烯护套电力电缆  
(单位: mm)  
26/35kV Three-core cross-linked polyethylene insulated steel strip gauntlet PVC sheath power cable (Unit:mm)

导体标称截面 Conductor section	导体直径 Conductor Diameter	绝缘厚度 Insulation thickness	外护套厚度 Outer sheath thickness	电缆近似直径 Cable approximate diameter	对应代号 Corresponding code
50	8.3	10.5	3.8	88.6	1#
70	9.8	10.5	3.9	92	1#
95	11.5	10.5	4.1	96.3	2#
120	12.9	10.5	4.2	99.7	2#
150	14.5	10.5	4.3	103.3	3#
185	16	10.5	4.4	107	3#
240	18.3	10.5	4.6	112.5	4#
300	20.5	10.5	4.7	117.7	5#
400	23.5	10.5	5	125	6#

订货编号说明 Inference Information



产品构造 Product Structure

- 1、外半导电层: 预制的EPDM导电橡胶符合IEEE592标准。
  - 2、绝缘层: 特有配方和混合技术确保预制EPDM绝缘橡胶的优质品质。
  - 3、内半导电层: 预制的EPDM导电橡胶有效控制和分散电气应力。
  - 4、接地眼: 预注到外半导电层中用于接地线的连接。
  - 5、应力锥: 不同尺寸的应力锥配合T型电缆接头使用, 能确保水密封以及电缆应力释放。
  - 6、压接端子: 全铜或铜铝压接端子适用于铜或铝导体。
  - 7、绝缘子: 环氧树脂绝缘子内含有带螺纹金属件可以确保与双头螺栓紧密配合。
  - 8、双头螺栓: 不锈钢螺栓确保导体和套管紧密配合。
- 1、SEMI-CONDUCTIVE SHIELD INSERT: Semi-conductive insert is molded of semi-conductive EPDM and controls electrical stresses at nose of mating load break product.
  - 2、EPDM INSULATION: High quality sulfur cured EPDM insulation is mixed and formulated in-house for complete control of insulating rubber characteristics.
  - 3、SEMI-CONDUCTIVE INSERT: Moulded EPDM conducting rubber screen controls electrical stress.
  - 4、GROUNDING EYE: Moulded into the external screen for connection of an earthing wire.
  - 5、STRESS RELIEF: The configuration of the outer screen and the cable adapter provide cable stress relief.
  - 6、CONDUCTOR CABLELUG: Aluminum compression connector is sized to ensure a cool running connector with maximum current transfer.
  - 7、INSULATING PLUG: Molded epoxy insulating plug provides excellent electrical, thermal and mechanical reliability.
  - 8、TWO HEAD SCREW: To make sure have a good contact with the apparatus bushing.



35kV电缆后接头  
Deadbreak T Rear Connector

概述 General

630A35kV电缆后接头可和35kV电缆前接头或另外的后接头连接，提供扩展的电缆连接回路（分支），它不能直接和套管座、穿墙套管连接。其尾部可直接用绝缘塞堵塞，也可扩展连接另一路欧式后接头或后接避雷器。

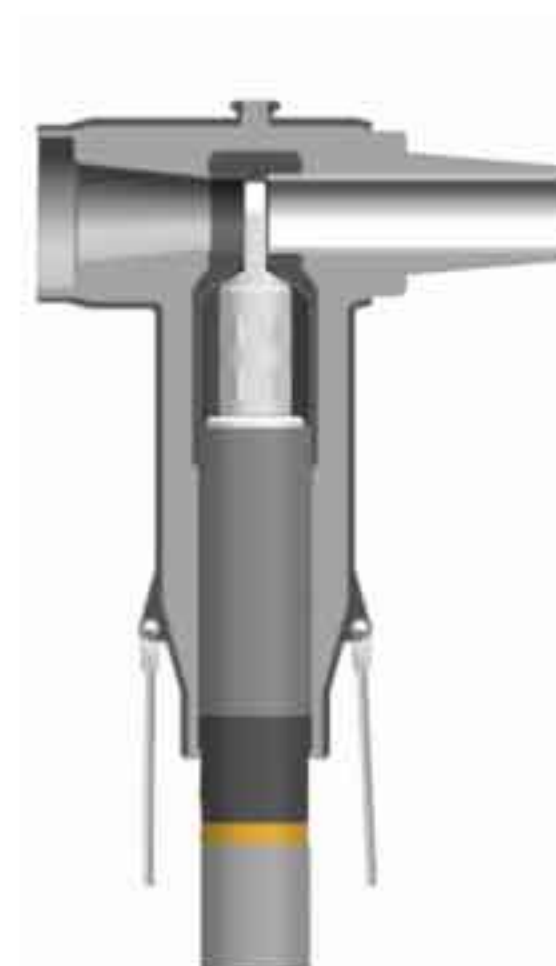
The 630A 35kV Deadbreak T rear connector can be connected after a 35kV Deadbreak T fore connector or an additional T rear connector, providing an extended cable connection loop(branch) that can not be directly connected to a bushing. It can be directly blocked by an insulating plug at the back, or it can be extended to connect another Deadbreak T rear connector or T rear arrester.

性能 function

- 当与适合的插头配合时，提供全屏蔽和全密封可分离连接；
  - 可长期在水下和其他恶劣的条件下运行；
  - 无最小相间安全距离要求；
  - 安装可垂直、水平或任意角度。
- Provide a fully shielded and fully sealed detachable connection when fitted with a suitable plug;  
It can operate underwater and in other harsh conditions for a long time;  
No minimum safety distance requirements;  
Installation can be vertical, horizontal or at any angle.

标准包装 Kit Contents

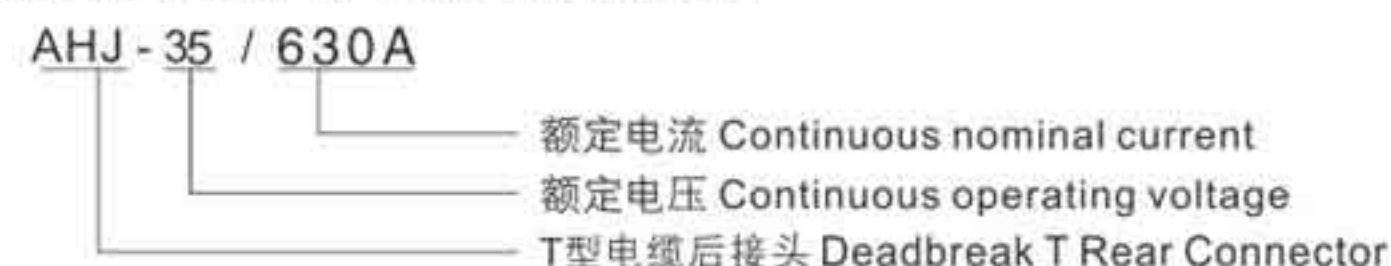
- 630A电缆后接头本体
- 应力锥
- 压接端子
- 连接铜棒
- 双头螺栓
- 硅脂、清洁纸
- 安装指导说明书
- 产品合格证
- 630A Deadbreak T Body
- Adaptor
- Conductor cable lug
- Connect lug
- Two head screw
- Silicone Lubricant、Clearing Paper
- Installation Instruction Sheet
- Quality Certificate



26/35kV三芯交联聚乙烯绝缘钢带铠装聚氯乙烯护套电力电缆  
(单位: mm)  
26/35kV Three-core cross-linked polyethylene insulated steel strip gauntlet PVC sheath power cable (Unit:mm)

导体标称截面 Conductor section	导体直径 Conductor Diameter	绝缘厚度 Insulation thickness	外护套厚度 Outer sheath thickness	电缆近似直径 Cable approximate diameter	对应代号 Corresponding code
50	8.3	10.5	3.8	88.6	1#
70	9.8	10.5	3.9	92	1#
95	11.5	10.5	4.1	96.3	2#
120	12.9	10.5	4.2	99.7	2#
150	14.5	10.5	4.3	103.3	3#
185	16	10.5	4.4	107	3#
240	18.3	10.5	4.6	112.5	4#
300	20.5	10.5	4.7	117.7	5#
400	23.5	10.5	5	125	6#

定货编号说明 Inference Information



产品构造 Product Structure

- 1、外半导体层：预制的EPDM导电橡胶符合IEEE592标准。
  - 2、绝缘层：特有配方和混合技术确保预制EPDM绝缘橡胶的优质品质。
  - 3、内半导体层：预制的EPDM导电橡胶有效控制和分散电气应力。
  - 4、接地眼：预注到外半导体层中用于接地线的连接。
  - 5、应力锥：不同尺寸的应力锥配合T型电缆接头使用，能确保水密封以及电缆应力释放。
  - 6、压接端子：全铜或铜铝压接端子适用于铜或铝导体。
  - 7、绝缘子：环氧树脂绝缘子内含有带螺纹金属件可以确保与双头螺栓紧密配合。
  - 8、双头螺栓：不锈钢螺栓确保导体和套管紧密配合。
- 1、SEMI-CONDUCTIVE SHIELD INSERT: Semi-conductive insert is molded of semi-conductive EPDM and controls electrical stresses at nose of mating load break product.
  - 2、EPDM INSULATION: High quality sulfur cured EPDM insulation is mixed and formulated in-house for complete control of insulating rubber characteristics.
  - 3、SEMI-CONDUCTIVE INSERT: Moulded EPDM conducting rubber screen controls electrical stress.
  - 4、GROUNDING EYE: Moulded into the external screen for connection of an earthing wire.
  - 5、STRESS RELIEF: The configuration of the outer screen and the cable adaptor provide cable stress relief.
  - 6、CONDUCTOR CABLELUG: Aluminum compression connector is sized to ensure a cool running connector with maximum current transfer.
  - 7、INSULATING PLUG: Molded epoxy insulating plug provides excellent electrical, thermal and mechanical reliability.
  - 8、TWO HEAD SCREW: To make sure have a good contact with the apparatus bushing.

应用 Application

35kV屏蔽型后接避雷器能为电气设备风能变电站、电缆分接箱提供可靠的过电压保护。

35kV Shielded T rear Surge Arrester for electrical equipment, wind power substation, cable distribution box to provide a reliable over Voltage protection.

电气性能 Ratings Overview

名称 Description	单位 Unit	参数 Parameters
额定电压 Continuous operating voltage	kV	35
雷电冲击残压 Impulse withstand voltage	kVp	185
直流1mA参考电压 Rated voltage	kV	$73.0 \leq U_{1mA,DC} \leq 77.5$
0.75U <sub>1mA</sub> 下直流漏电流 Residual current	μA	≤50
2ms方波冲击容量 Impulse 2ms	A	170/18次 times
绝缘外套工频电压 AC withstand voltage of insulation	kV	82
密封试验 Seal testing		合格 Qualified

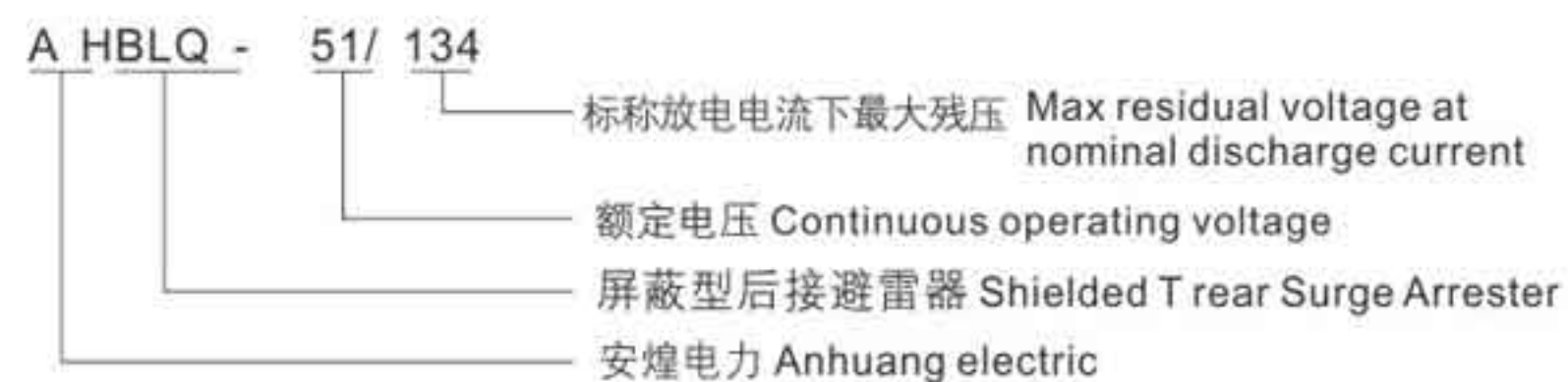
标准包装 Kit Contents

- 避雷器本体
- 导电杆组件
- 硅脂
- 清洁纸
- 安装指导说明书
- 产品合格证
- 检测报告
- T Surge arrester
- Threaded bolts
- Silicone Lubricant
- Clearing Paper
- Installation Instruction Sheet
- Quality Certificate
- Testing report

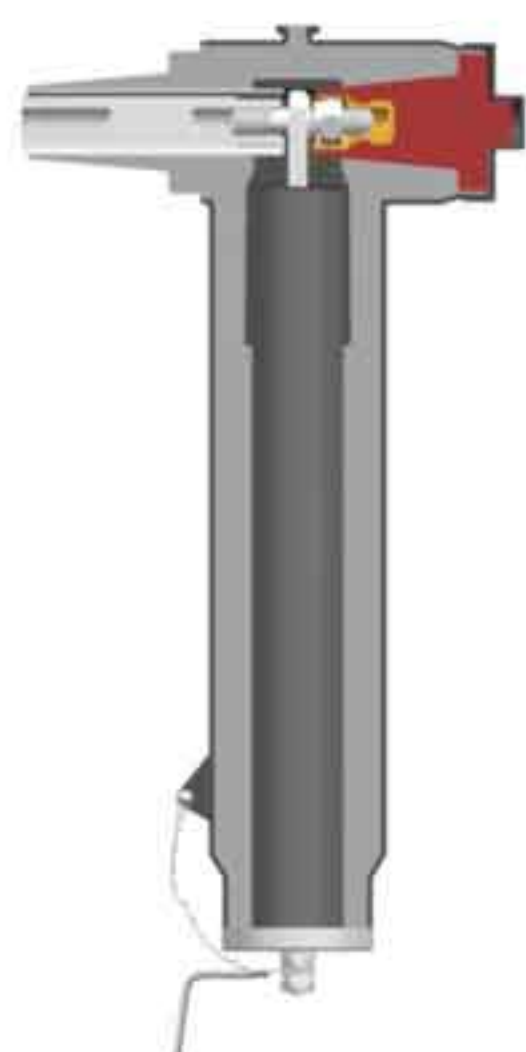
订货信息 Order Information

产品名称 Description	订货编号 Reference No.
35kV屏蔽型后接避雷器 35kV Shielded T rear Surge Arrester	A HBLQ-51/134

定货编号说明 Inference Information



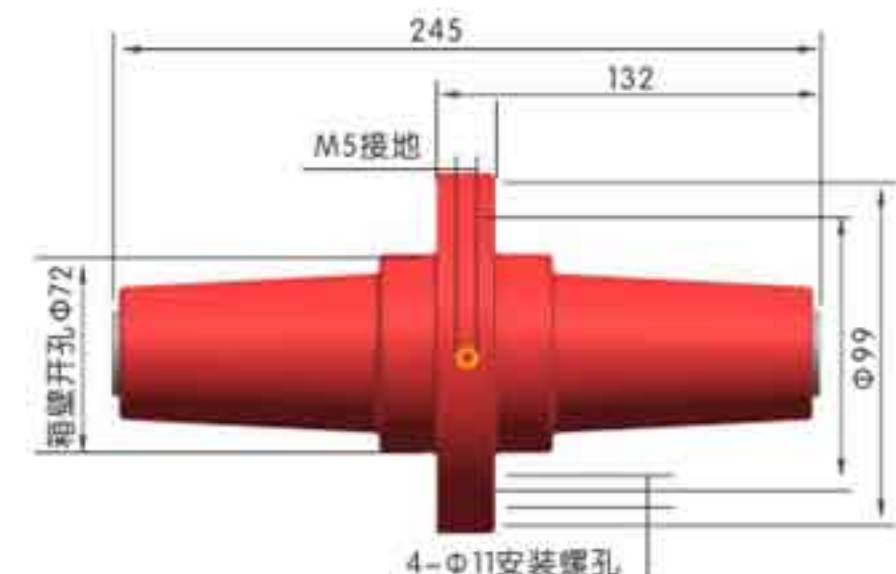
35kV屏蔽型后接避雷器  
35kV Shielded T rear Surge Arrester



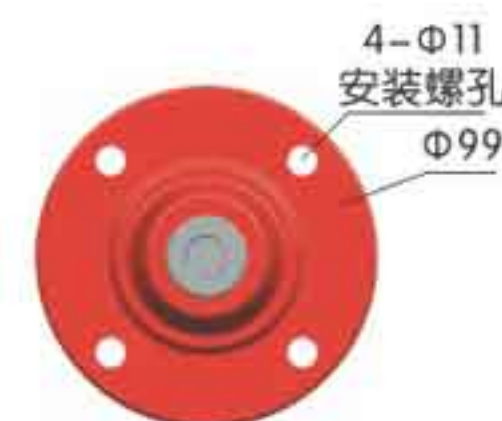
产品外形尺寸构造图  
Dimensions



35kV 630A 对接套管  
35kV 630A Two-Side Bushing



外形尺寸图 Dimensions



概述 General

630A 对接套管，主要用于欧式电缆分支箱，与欧式前接头相连，可与带电指示器相连，显示母线带电状态。其采用高品质的环氧树脂绝缘。

630A Dead break Type Junction is designed for outdoor Power Cable Sector and Underground Power Cable Sector. It is suitable for branch box, surround power supply branch cabinet of European style, and can connect with 630A Shield Fore-Connector.

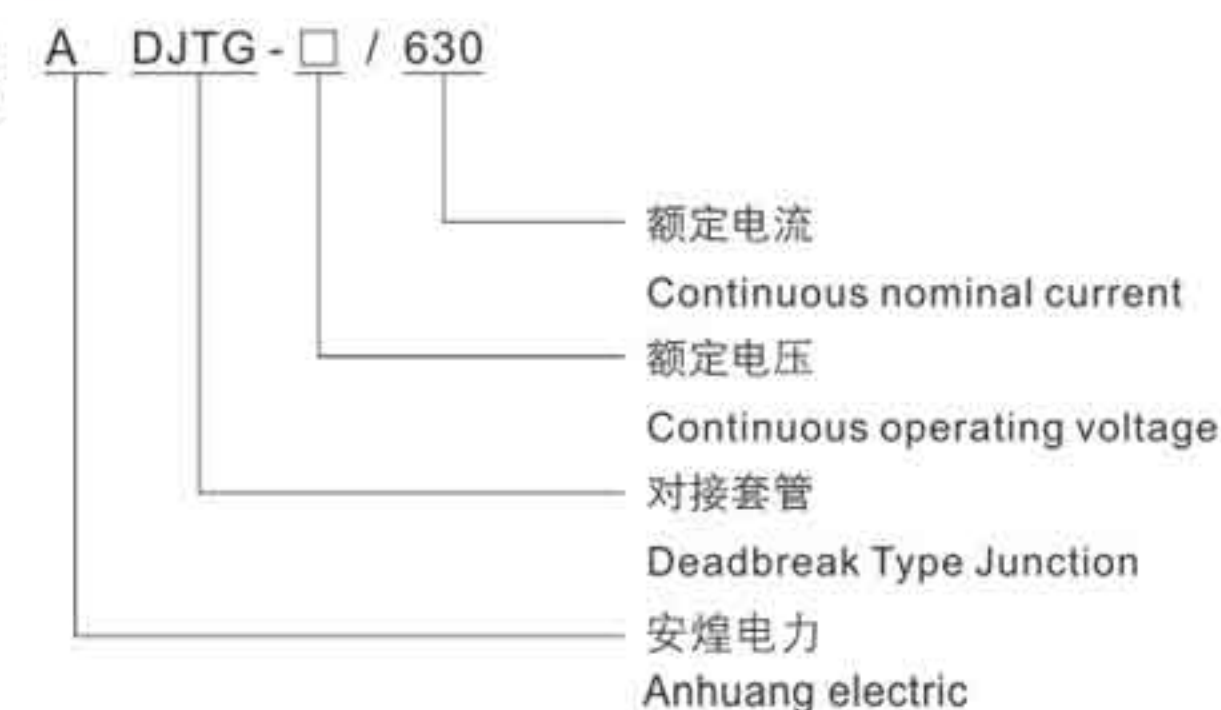
标准包装 Kit Contents

- 对接套管本体
- Deadbreak Type Junction
- 安装指导说明书
- Installation Instruction Sheet
- 产品合格证
- Quality Certificate

订货信息 Order Information

产品名称 Description	订货编号 Reference No.
12kV 630A 欧式对接套管 12kV 630A Deadbreak Type Junction	A DJTG-12/630
24kV 630A 欧式对接套管 24kV 630A Deadbreak Type Junction	A DJTG-24/630

定货编号说明 Inference Information







A TGZ-12/25kV 630A 充气柜套管座  
A TGZ-12/25kV 630A Air Bushing



概述 General

630A充气柜套管座，为630A电缆接头提供接口，主要用于户外环网开关柜等设备。安装在充气柜上，加接630A型号电缆接头，为630A近出线，与屏蔽型螺栓式电缆接头连接。适用介质为绝缘油或SF6气体，套管上感应点可直接接地或连接带电显示器。

其材料为一种环氧树脂和紫铜棒，具有良好的机械和电气性能。

630A Air Bushing are designed for European type Cable Branch Cabinet, Power Surrounding Supply Cabinet, Used in inflatable lockers to connect Type 630A connector for 630A. These bushings can connect with the dead break cable connector.

These bushing are made by Epoxy Resin and copper bar with good mechanical and electrical properties.

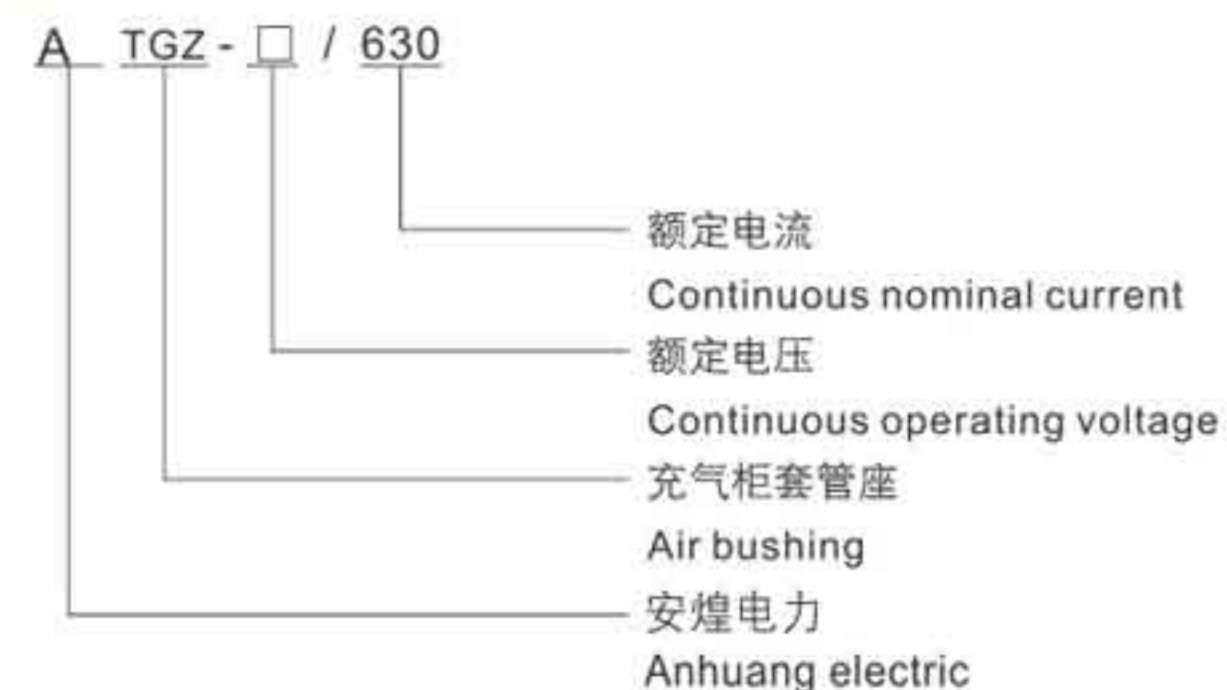
标准包装 Kit Contents

- 套管座本体
- 黑色防尘帽
- 安装法兰(可选)
- 产品合格证
- Air bushing
- Covering cap
- Installation instruction sheet
- Quality certificate

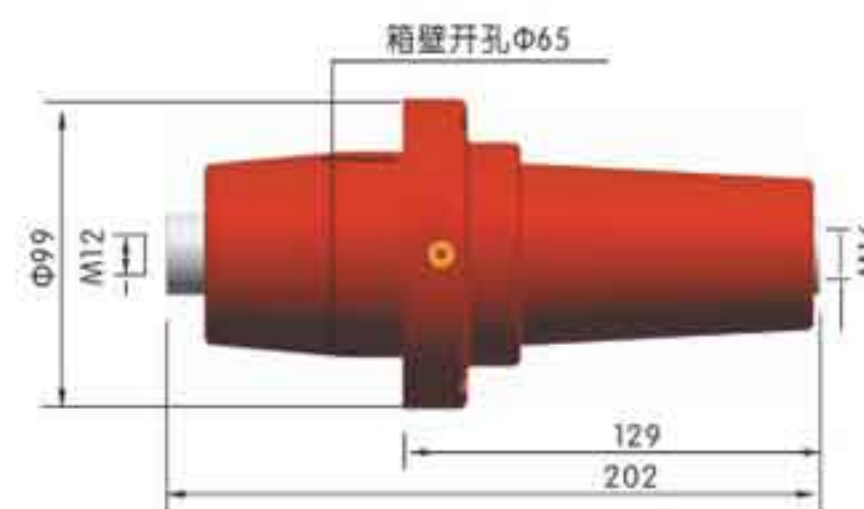
订货信息 Order Information

产品名称 Description	分支数 Number of branches
12kV 630A 充气柜套管座 Air Bushing	A TGZ-12/630
25kV 630A 充气柜套管座 Air Bushing	A TGZ-25/630

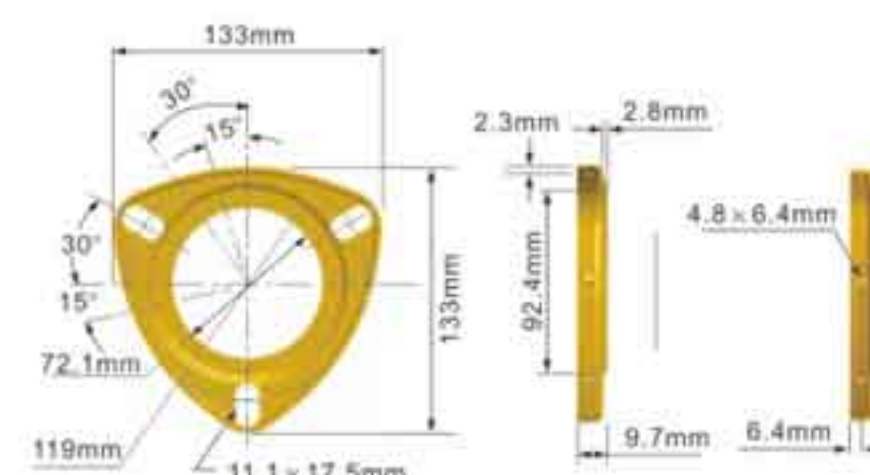
定货编号说明 Inference Information



ADTGZ-12/25kV 630A 单通套管座  
Apparatus Bushings Insert



外形尺寸图  
Dimensions



概述 General

630A单通套管座，为630A电缆接头提供接口，主要用于美式箱变、户外环网开关柜等设备。安装在美式箱变的一侧和高压绕组连接，安装在户外环网柜上做630A出线侧。与屏蔽型螺栓式电缆接头连接。

其材料为一种环氧树脂，具有良好的机械和电气性能。

630A Apparatus Bushing Insert are designed for European type Cable Branch Cabinet, Power Surrounding Supply Cabinet, Used in European type Cable Branch Cabinet connecting with high voltage. These bushings can connect with the dead break cable connector. These bushing are molded using high quality sulfur-cured insulating of Epoxy Resin Rubber.

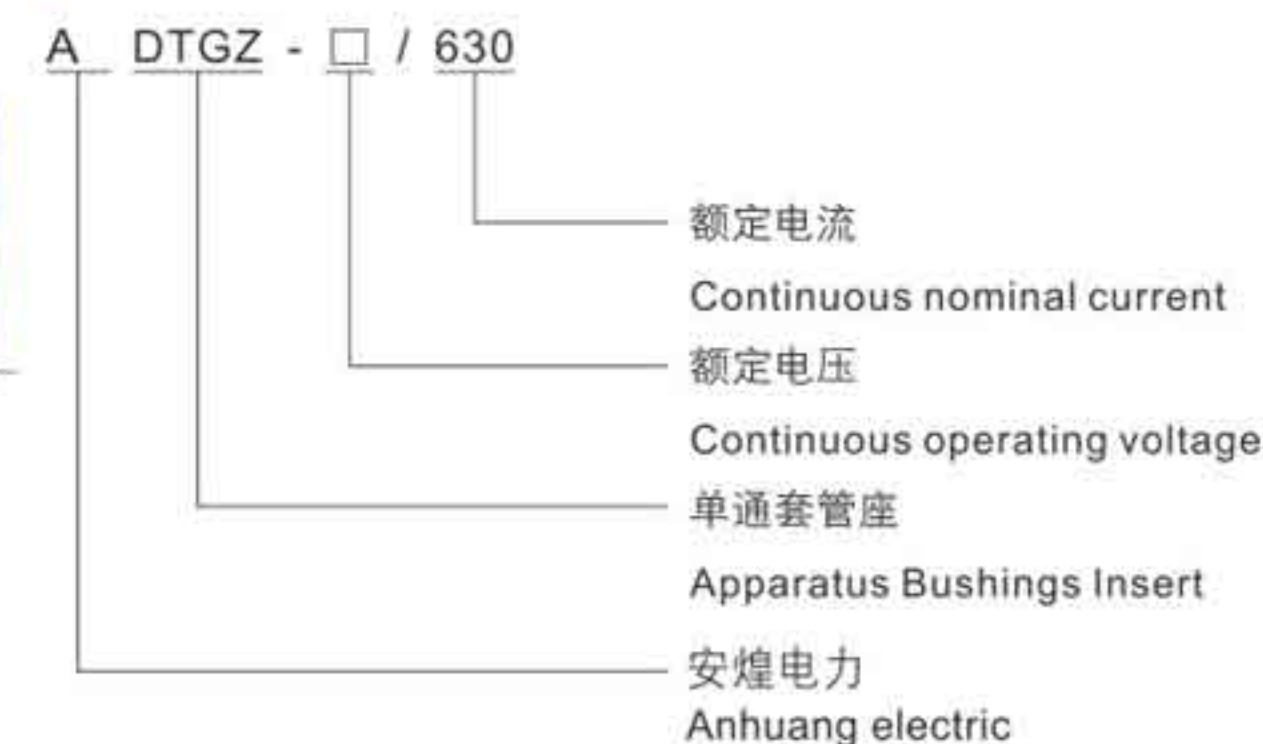
标准包装 Kit Contents

- 单通套管座
- 密封耐油垫圈
- 安装指导说明书
- 产品合格证
- Apparatus Bushings Insert
- gasket
- Installation Instruction Sheet
- Quality Certificate

订货信息 Order Information

产品名称 Description	订货编号 Reference No.
15kV 630A 单通套管座	A DTGZ-12/630
12kV 630A Apparatus Bushings Insert	A DTGZ-12/630
25kV 630A 单通套管座	A DTGZ-25/630
25kV 630A Apparatus Bushings Insert	A DTGZ-25/630

定货编号说明 Inference Information



概述 General

630A双通套管接头, 为630A电缆接头提供接口, 主要用于美式箱变、户外环网开关柜等设备。安装在美式箱变一侧和高压绕组连接, 安装在户外环网柜上做630A出线侧。与屏蔽型螺栓式电缆接头相连接, 带伞裙侧搭接母排, 空气绝缘。

其材料为一种环氧树脂, 具有良好的机械和电气性能。

The 630A Two-point bushing provides an interface for the 630A cable connector and is mainly used for American type cabinet transformer, Ring main unit switchgear and other equipments. One side of the bushing can install on the American type cabinet transformer connect to high voltage winding, and the skirt side install on the Ring Main unit as outgoing. Connected with shielded Deadbreak T connector, with the skirt side connect to the busbar junction, can be air insulated.

The material is an epoxy resin, with good mechanical and electrical properties.

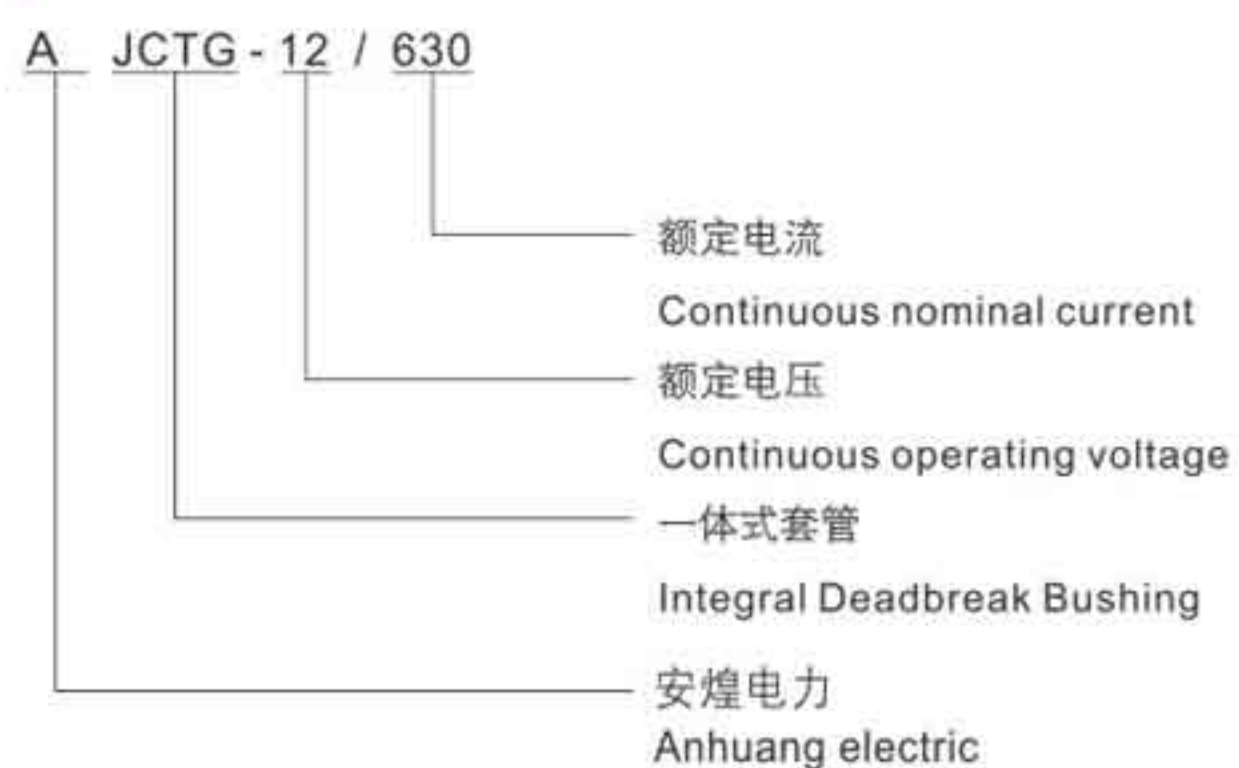
标准包装 Kit Contents

- 欧式一体式套管本体
- 防尘帽(非绝缘保护帽)
- 安装指导说明书
- 产品合格证
- Integral Deadbreak Bushing
- Covering cap
- Installation Instruction Sheet
- Quality Certificate

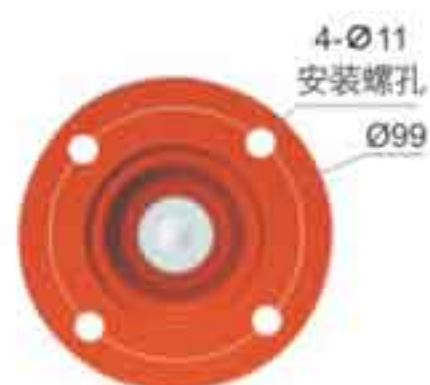
订货信息 Order Information

产品名称 Description	订货编号 Reference No.
12kV 630A 欧式一体式套管 12kV 630A Integral Deadbreak Bushing	AJCTG-12/630

定货编号说明 Inference Information



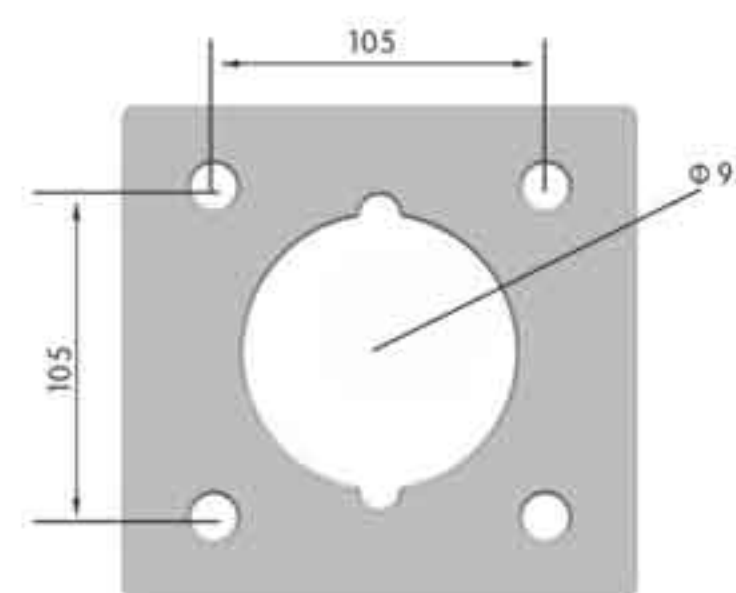
12kV/630A 一体式套管  
Integral Deadbreak Bushing



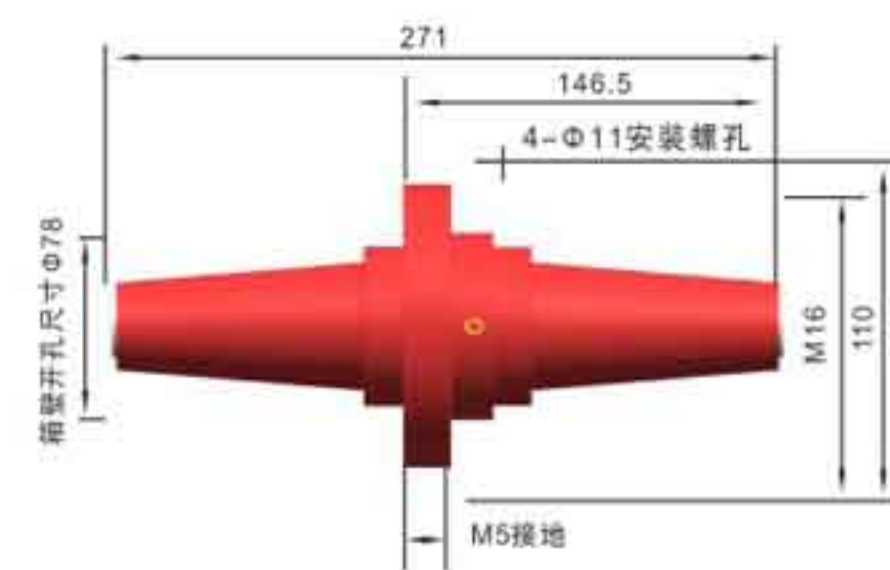
外形尺寸图 Dimensions



12/24kV 630A 对接套管  
Deadbreak Type Junction



图二: 产品构造图  
Figure 2: Illustrate Design Integrity



外形尺寸图 Dimensions

概述 General

35kV 630A 对接套管用于35kV电缆分接箱为35kV T型电缆接头提供中间连接。

35kV 630A Two-Side Bushing are used to connect two or more 630A dead break terminators. Two-Side Bushing are typically used in a separable splice, or with a bushing extender, to increase the distance from the apparatus front plate to the 600A terminator, easing cable training. The Two-Side Bushing maintaining full interchangeability with all manufacturers' mating component items, and make sure it have been grounding.

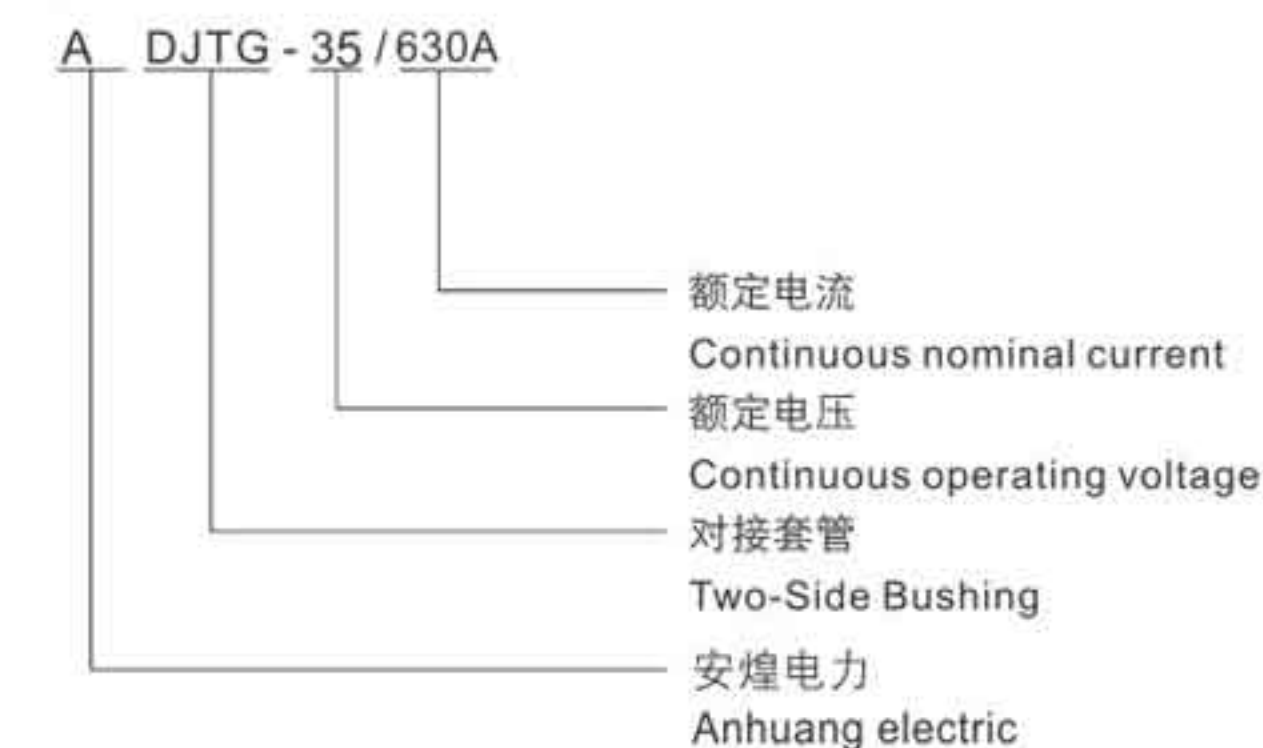
标准包装 Kit Contents

- 对接套管本体
- 黑色防尘帽(非绝缘保护帽)
- 安装指导说明书
- 产品合格证
- Bushing Well
- Covering Cap
- Installation Instruction Sheet
- Quality certificate

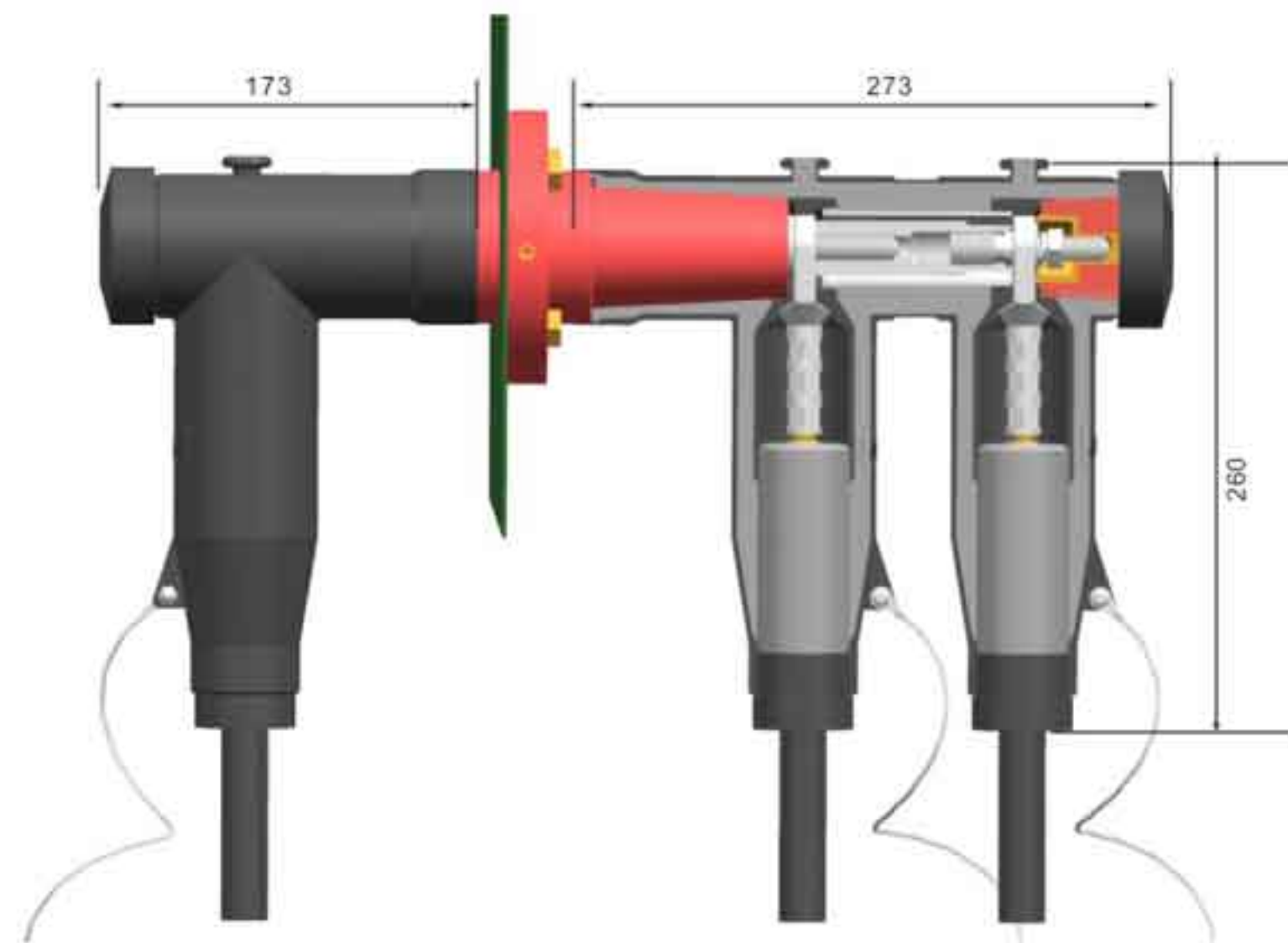
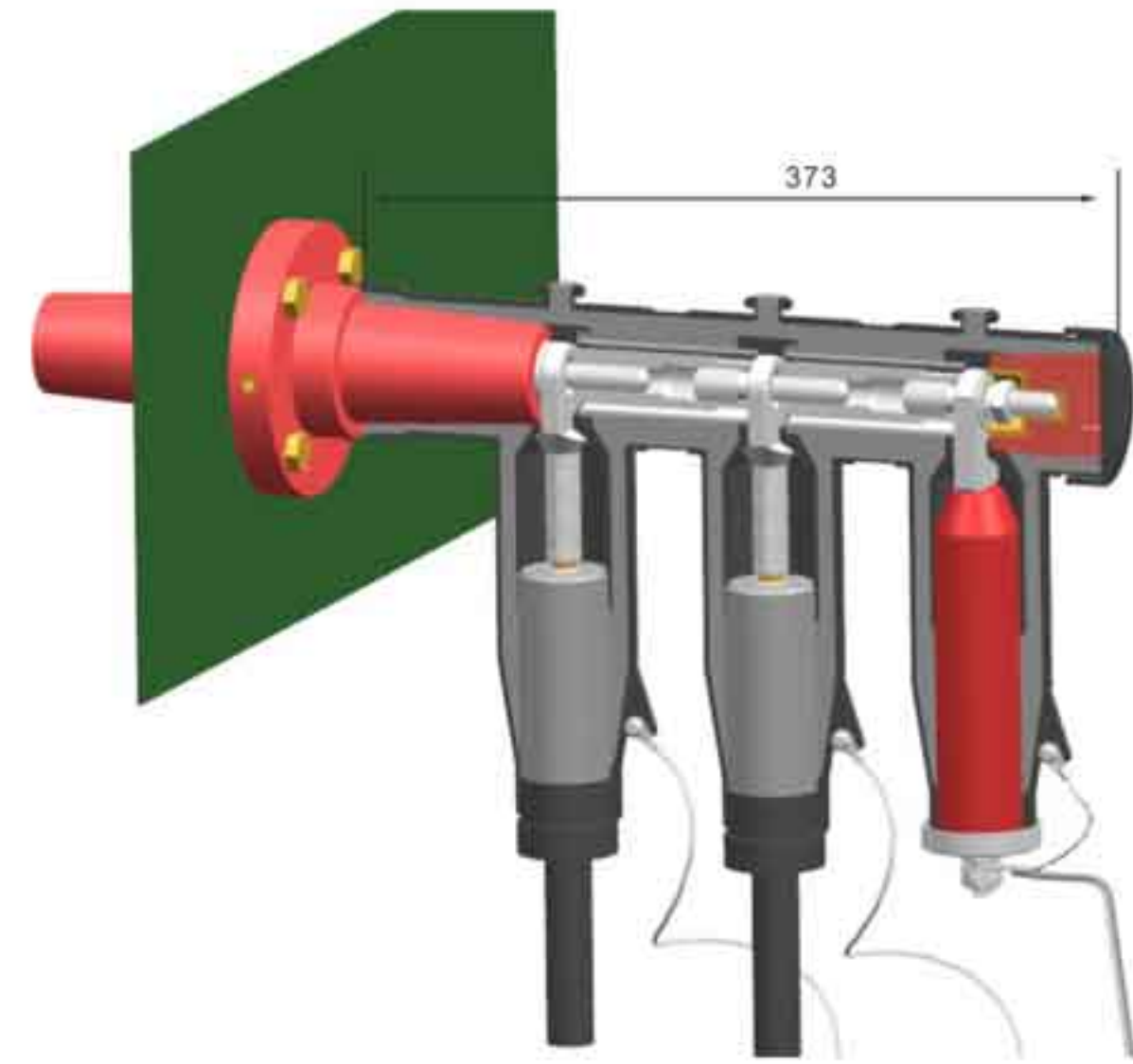
订货信息 Order Information

产品名称 Description	订货编号 Reference No.
630A 35kV 对接套管 Two-Side Bushing	A DJTG-35/630

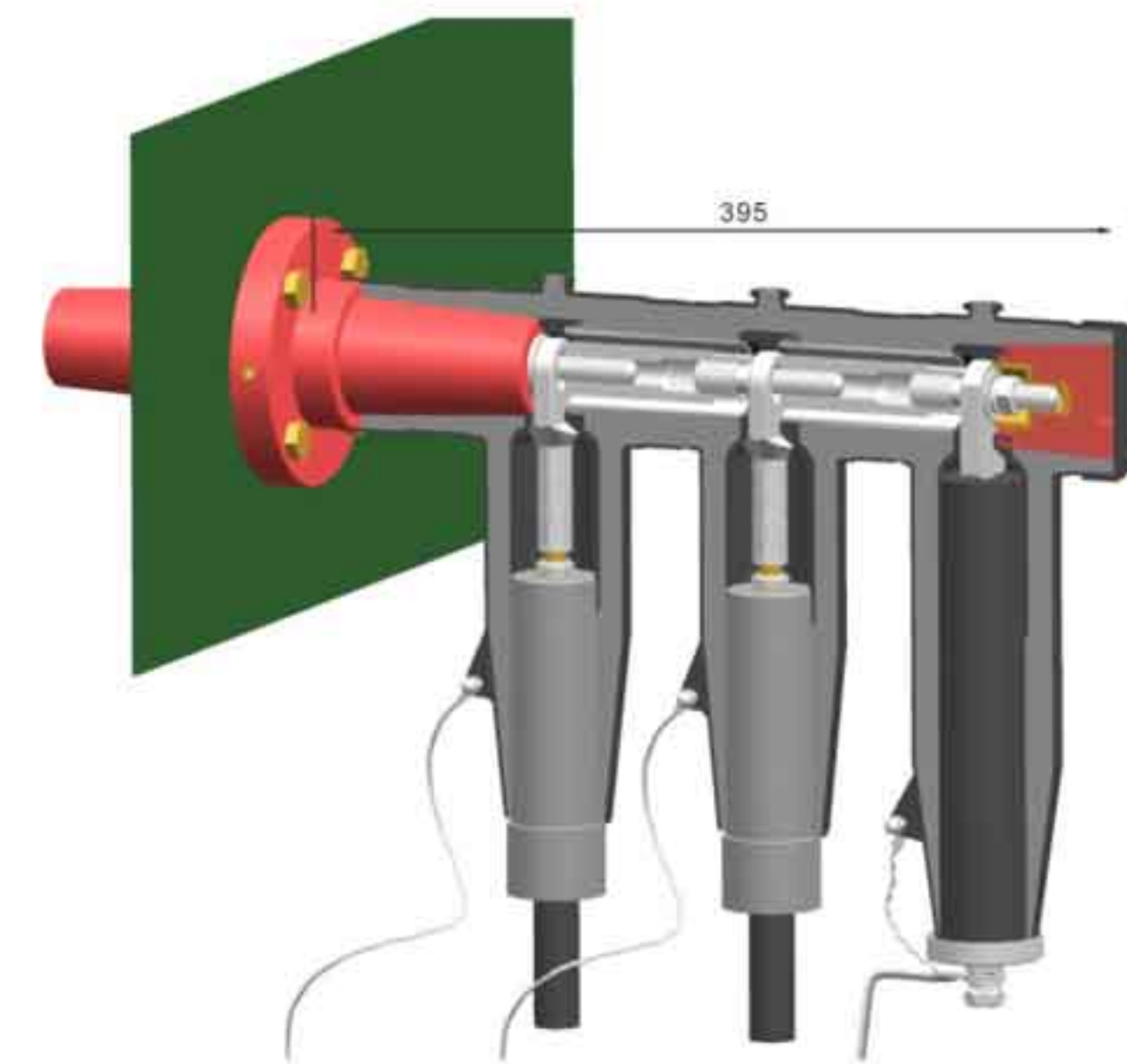
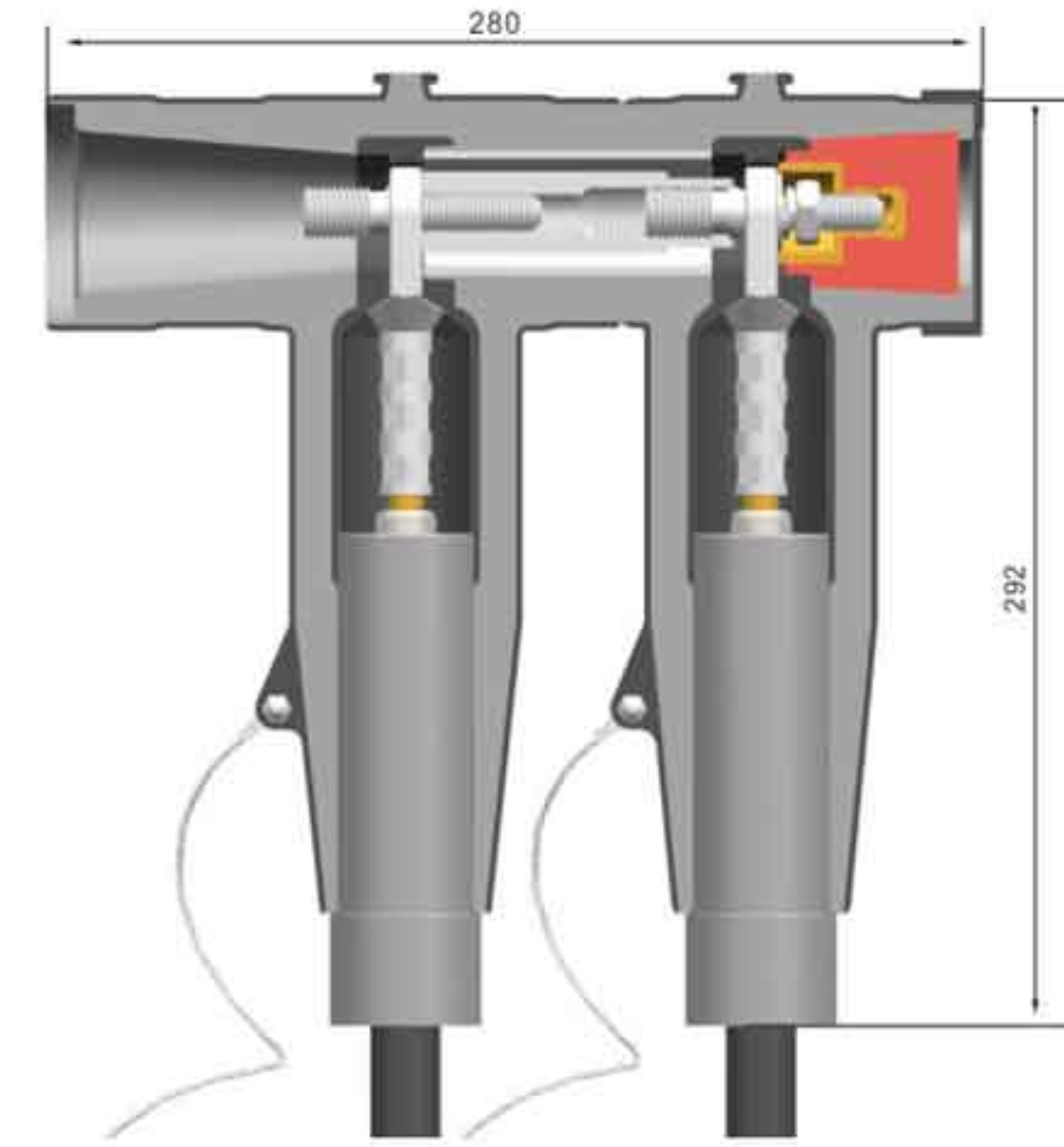
定货编号说明 Inference Information



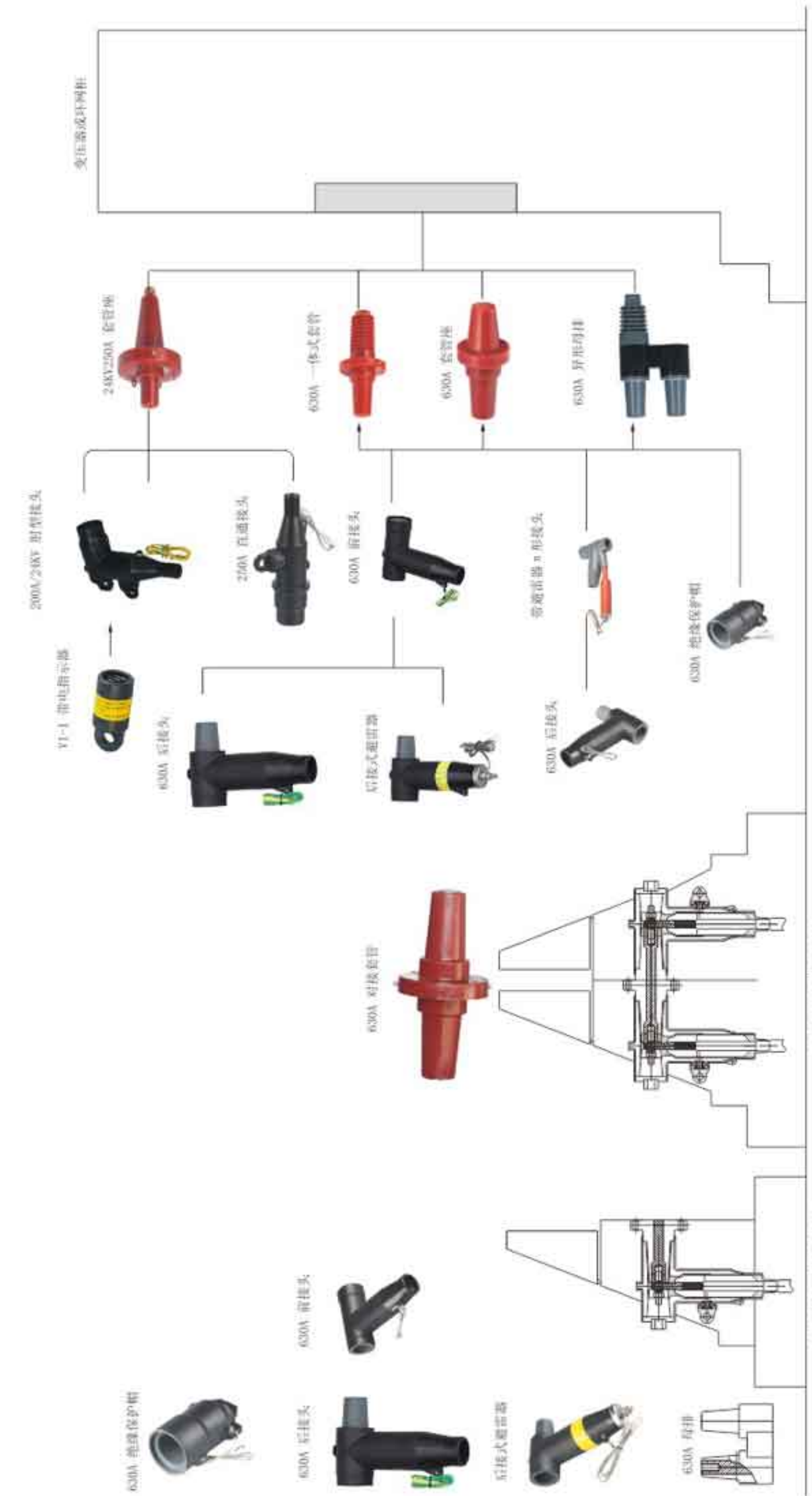
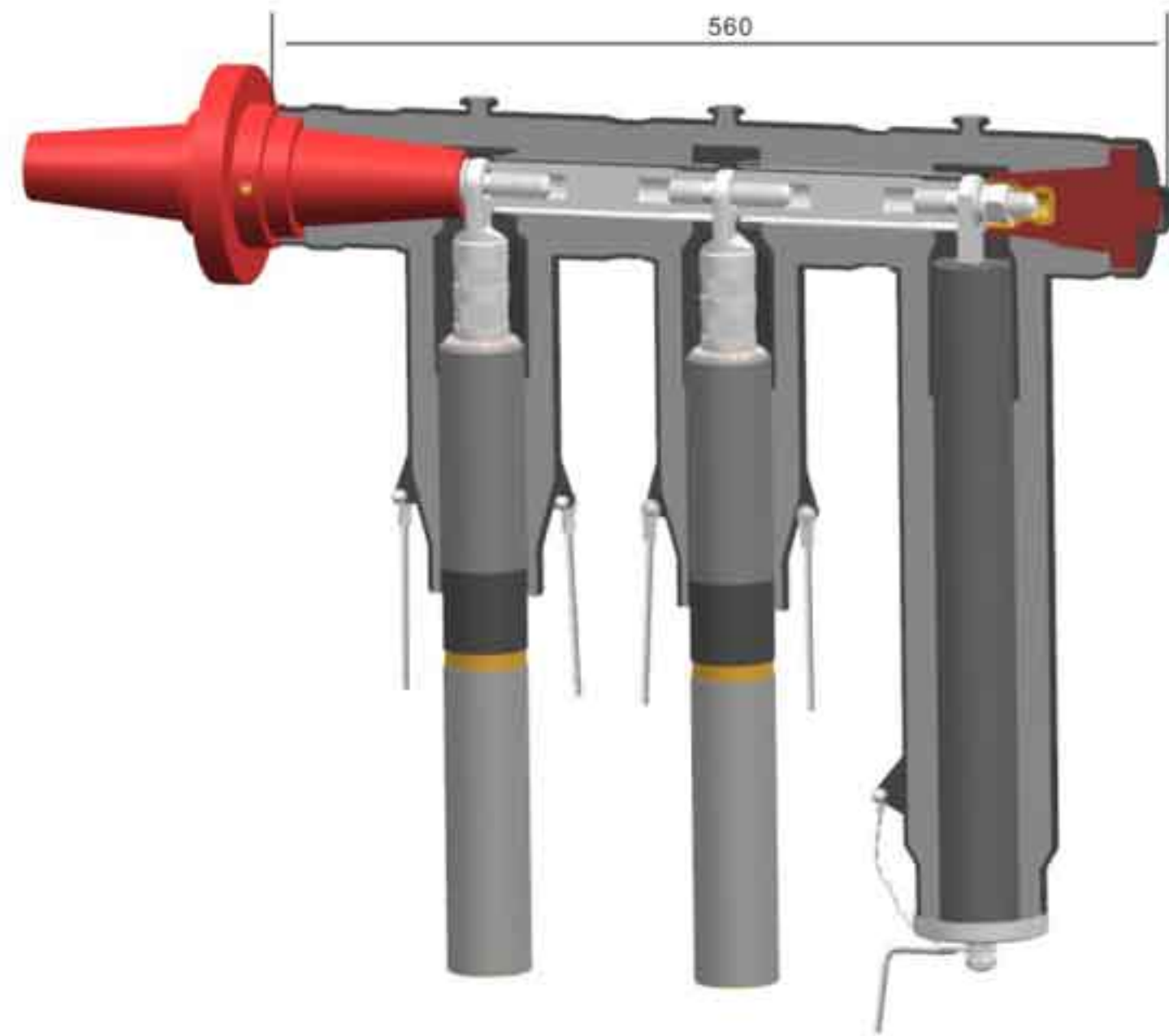
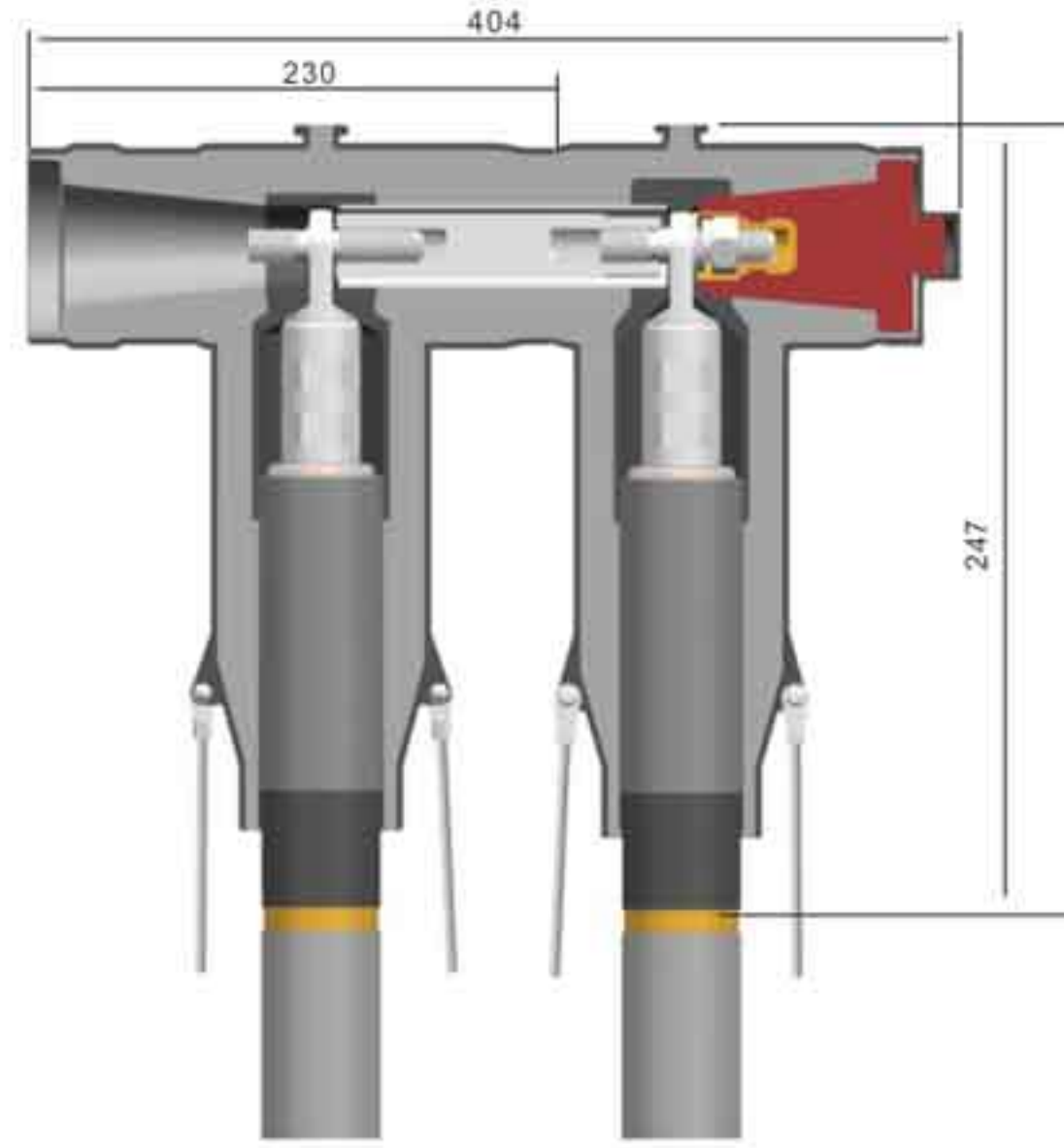
15kV安装示例  
15KV Install Application



24kV安装示例  
24KV Install Application



135kV安装示例  
135KV Install Application



630A系列电缆附件

630A系列电缆附件

# 10KV~35 KV 冷缩电缆附件

Cold Shrink Cable Accessories

www.anhelec.com



电力冷缩技术 Power and technology

冷收缩式电缆附件是利用弹性体材料(常用的有硅橡胶和乙丙橡胶)在注塑设备内注射硫化成型,再经扩径、衬以塑料螺旋支撑物构成各种电缆附件的部件。现场安装时,将这些预扩张件套在经过处理后的电缆末端或接头处,抽出内部支撑的塑料螺旋条(支撑物),压紧在电缆绝缘上而构成的电缆附件。因为它是在常温下靠弹性回缩力,而不是像热收缩电缆附件要用火加热收缩,故俗称冷收缩电缆附件。早期的冷收缩电缆终端头只是附加绝缘采用硅橡胶冷缩部件,电场处理仍采用应力锥型或应力带绕包式。

现在普遍都采用冷收缩应力控制管,电压等级从10kv到35kv。冷收缩电缆接头,1kv级采用冷收缩绝缘管作增强绝缘,10kv级采用带内外半导电屏蔽层的接头冷收缩绝缘件。三芯电缆终端分叉处采用冷收缩分支套。

冷收缩式电缆附件具有体积小、操作方便、迅速、无需专用工具、适用范围宽和产品规格少等优点。与热收缩式电缆附件相比,不需用火加热,且在安装以后挪动或弯曲不会像热收缩式电缆附件那样出现附件内部层间脱开的危险(因为冷收缩式电缆附件靠弹性压紧力)。与预制式电缆附件相比,虽然都是靠弹性压紧力来保证内部界面特性,但是它不像预制式电缆附件那样与电缆截面一一对应,规格多。

必须指出的是,在安装到电缆上之前,预制式电缆附件的部件是没有张力的,而冷收缩式电缆附件是处于高张力状态下,因此必须保证在贮存期内,冷收缩式附件不应有明显的永久变形或弹性应力松弛,否则安装在电缆上以后不能保证有足够的弹性压紧力,从而不能保证良好的界面特性。

Cold contraction cable accessories is the use of elastomeric material (commonly used with silicone rubber and EPDM rubber) in the injection molding equipment vulcanization injection molding, and then by expanding and lined with plastic spiral support composed of various cable accessories. When the installation is in place, the pre expansion parts are sheathed at the end or the joint of the processed cable, and draw out the inner supporting plastic spiral strip (support), which is pressed on the cable insulation. Because it is at room temperature by elastic recoil force, rather than like heat shrink cable accessories to be used to heat the contraction, it is commonly known as the cold shrink cable accessories. Early cold contraction cable terminal head just additional silicone rubber insulation used and contraction parts, electric field treatment still use should stress cone type or stress zone around the package.

Now generally adopts cold contraction stress control tube, the voltage level from 10kv to 35kv. Cold contraction cable joint, 1kv level uses the cold contraction insulation tube to strengthen the insulation, the 10kv level uses the inside and outside the semi conductive shield the joint cold contraction insulation piece. Three core cable terminal bifurcation with cold contraction set branch.

Type cold shrinkage cable accessory has the advantages of small volume, convenient operation, rapid, need special tools, applicable range wide and product specifications less advantages. Compared with the heat shrinkable cable accessories without fire heating and in after the installation of the move or curvature does not like heat shrinkable cable accessories as attachment internal layer of uncoupled risk (because the cold shrink cable accessories by the elastic clamping force). Compared with the prefabricated cable accessories, although it is by elastic pressing force to ensure the internal interface characteristics, but it is not like the prefabricated cable accessories and cable section one correspondence, specifications.

Must be pointed out that, in the installation prior to the cable, the components of prefabricated cable accessories is no tension, and cold shrink cable accessories is in a state of high tension under. Therefore, you must ensure that in the storage period, cold shrinkable components not there should be a clear permanent deformation or elastic should stress relaxation, or installed in the cable can not guarantee sufficient elastic clamping force, so it can not guarantee the good interfacial characteristics.

## 细致专业

成为国内最专注最完善  
最值得信赖的电力附件制造企业

Become the most dedicated most perfect  
The most trusted manufacturer of power attachments



## F 冷缩电缆附件

### COLD SHRINKABLE CABLE ACCESSORIES

冷缩电缆附件的特性 The characteristics of cold shrinkable cable accessories

- 采取最先进的全冷缩技术，无需动火及特殊工具，安装时，只需将线芯抽出，弹性体便迅速收缩并紧贴所需安装部位。
  - 硅橡胶具有优良的绝缘性和高弹性，安装后始终保持对电缆本体合适的径向压力，使内界面结合紧密，不会因电缆运行时的呼吸作用而产生电击穿。应力控制部分与主绝缘复合为一体，有效地解决了电缆外屏蔽面处的电应力集中问题，确保绝缘可靠，运行安全。所有产品都已在工厂内制造成形。无须特别培训，安装操作简单，且不用火，省时省力，全冷缩自动复位技术，安装轻松不流汗，大大减少了由于操作不当造成的质量事故，而且解决了预制电缆附件收缩不紧或安不进去的现象。
  - 冷缩管加长且无合缝线，外表光滑美观。
  - 抗污秽、耐老化、憎水性好，具有卓越的耐寒热性能，特别适用于高海拔地区、寒冷地区、潮湿地区、盐雾地区及重污染地区。安装时不用明火，特别适用于石油、化工、矿山、隧道等易燃易爆场所。
- Take the most advanced full of cold technology, without flare and special tools, installation, only the line core is drawn out, elastic body will rapidly shrink and close to the installation site.
  - A silicone rubber has excellent insulation and high elasticity, after the installation of remains of cable body suitable radial pressure, the interfacial bond, not because of cable runs of respiration and breakdown. The stress control part and the main insulation composite are integrated, which effectively solves the problem of the electric stress concentration in the outer shielding surface of the cable, which ensures the reliability of the insulation and the safety of the operation. All products have been manufactured in the factory. Without special training, simple installation and operation, and don't use the fire, time-saving and labor-saving, cold shrinkable automatic reset technology, easy installation without breaking a sweat, greatly reduced due to the quality accident caused by the improper operation, but also solves the phenomenon of prefabricated cable accessories contraction is not tight or don't go in.
  - The cold shrink tube and no longer joint line, smooth and beautiful appearance.
  - A defilement resistance, aging resistance, good hydrophobicity, with superior cold and heat performance, especially for high altitude, cold area, wet area, salt fog area and heavy pollution area. When the installation is not open flame, especially suitable for petroleum, chemical, mining, tunnel and other inflammable and explosive places.

概述 Summary

终端外绝缘材料是用高品质硅橡胶材料而做成的，它具有良好的疏水性能，当水滴在上面以后，随时滚落，不形成导电的水膜，且具有疏水性自愈性能。此外，它有着极强的绝缘性、抗电痕、耐腐蚀性及抗紫外线性，最大的优点是能够保证长期使用性能稳定。寿命长，与电缆本体同寿命。

电缆附件终端头，有着独特的材料配方和制造工艺，使之紧密贴附电缆主绝缘，对电缆本体提供恒定持久的径向压力，局部放电小，起始电压高，绝缘冲击水平高于现有标准的水平，与电缆本体同“呼吸”。

国家标准GB50168-92《电缆线路施工及验收规范》第6.1.3条规定：“制做塑料绝缘电力电缆终端与接头时，应防止尘埃、杂物落入绝缘内。严禁在雾或雨中施工”。如果在制作中不注意环境因素的影响，就会电缆头绝缘中由于进入尘埃、杂质等形成气隙，并在强电场下发生局部放电，继而发展为绝缘击穿，造成电缆头击穿的故障。如果在潮湿的环境中制作，则电缆容易受潮而使得整体绝缘水平下降，另外也容易进入潮气形成气隙而出现局部放电。

Terminal insulation material is made with high quality silicon rubber material and, it has good hydrophobic performance, when the droplets after the above, ready to roll down, do not form a conductive film of water and has a hydrophobic self-healing properties. In addition, it has a strong insulation, resistance, corrosion resistance and UV resistance, the biggest advantage is to ensure long-term use of stable performance. Long life, the same life with the cable body.

Accessory cable terminal head, has a unique material formula and manufacturing process, which closely attached cable main insulation, the body of the cable provides a constant radial pressure, small amount of partial discharge, high starting voltage, impulse insulation level is higher than the level of existing standards, and the cable body with "breath".

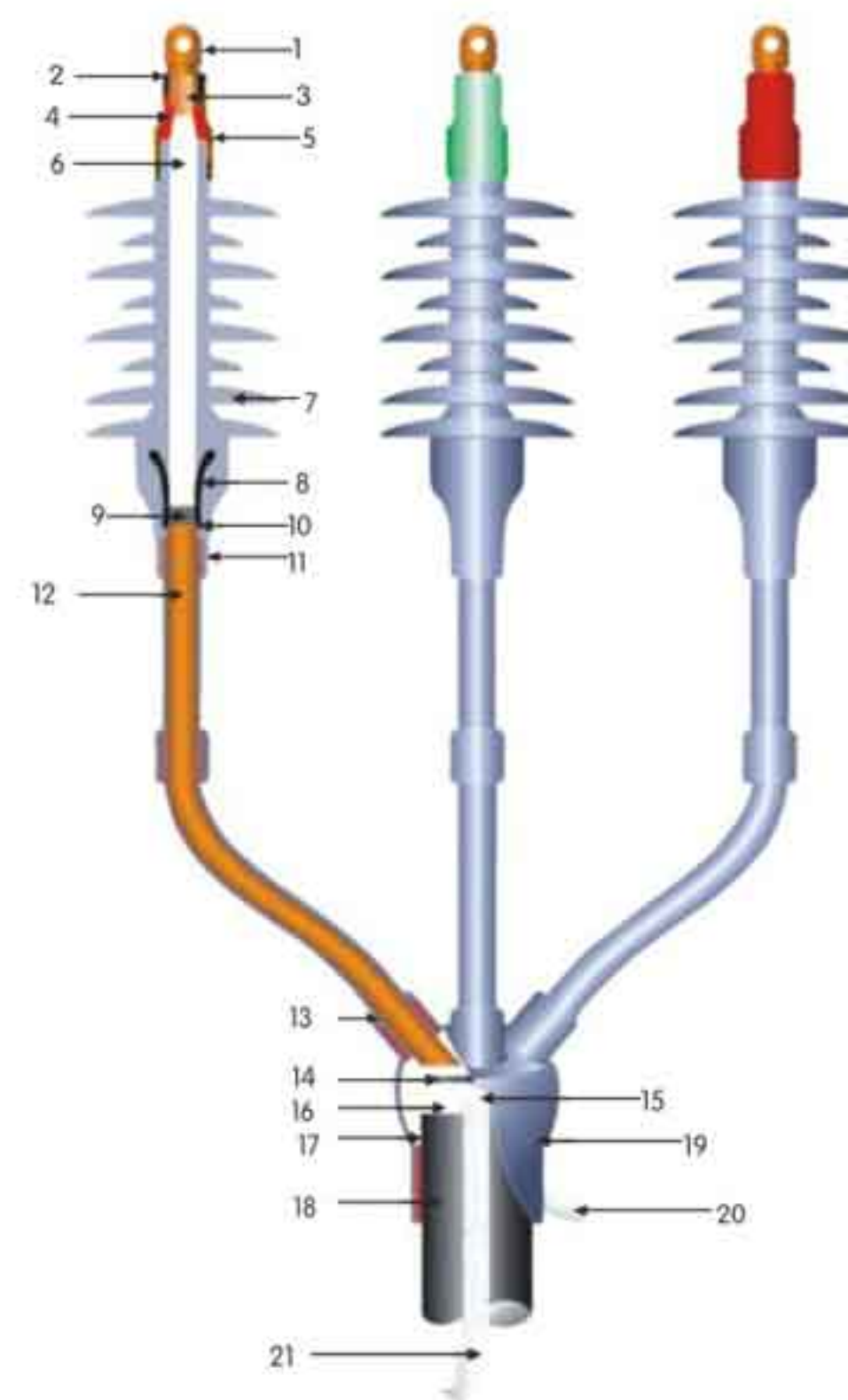
The national standard GB50168-92 "cable line construction and acceptance code" section 6.1.3 provides: "the manufacture of plastic insulated power cable terminals and connectors, should prevent dust, debris fall into the insulation. Is strictly prohibited in the fog or rain". If we do not pay attention to the influence of environmental factors in the production, will cable head insulation due to dust, impurities, such as the formation of air gap and under strong electric field occurred partial discharge (PD), and then to insulation breakdown, resulting in the breakdown of cable head fault. If made in a humid environment, cable is easy to be affected with damp and makes the overall reduction in the level of insulation. In addition, it is also easy to moisture from entering the gap formation and the emergence of partial discharge.

10KV~35kV  
冷缩电缆附件  
Cold Shrink Cable Accessories



冷缩安装解析 Cold installation analysis

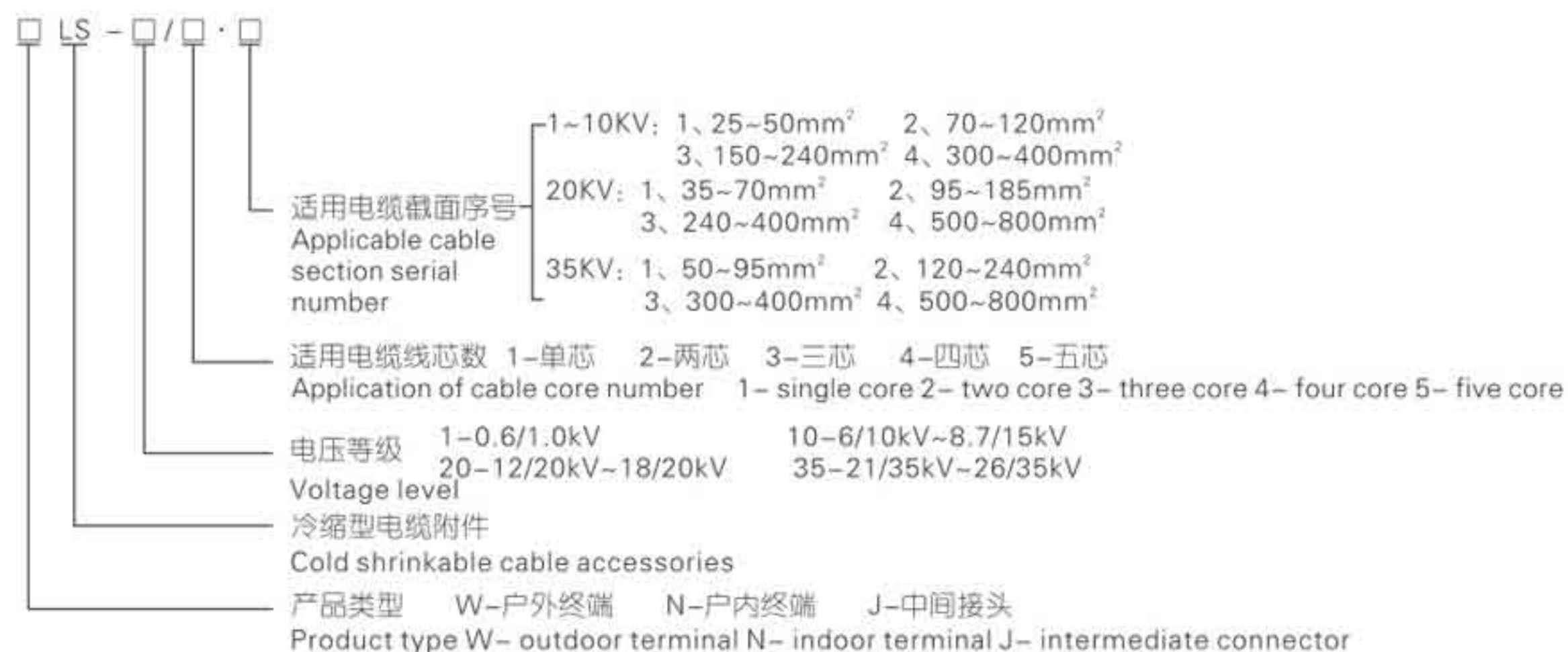
- 所有硅橡胶都为高品质液态硅橡胶，具有优良的绝缘性和高弹性；
  - 与电缆“同呼吸”，有效降低局部放电和间隙放电；
  - 无磁恒力弹簧，避免涡流和悬浮电位的产生。
- All of the silicone rubber are high quality liquid silicone rubber, with excellent insulation and high elastic;
  - With the cable "breathing", effectively reduce the partial discharge and gap discharge;
  - No magnetic constant spring, avoid the eddy current and suspended potential.



- |           |                             |
|-----------|-----------------------------|
| 1、接线端子    | 1, terminal                 |
| 2、J-20白粘带 | 2, J-20 white sticky tape   |
| 3、线芯      | 3, wire core                |
| 4、密封胶     | 4, sealant                  |
| 5、密封管     | 5, sealed tube              |
| 6、终端体     | 6, terminal body            |
| 7、主绝缘层    | 7, the main insulation      |
| 8、应力锥     | 8, stress cone              |
| 9、半导体带    | 9, semi conductive tape     |
| 10、半导体屏蔽层 | 10, semiconductor shield    |
| 11、密封胶    | 11, sealant                 |
| 12、铜屏蔽带   | 12, copper shielding belt   |
| 13、冷缩绝缘管  | 13, cold insulation pipe    |
| 14、内衬层    | 14, lining layer            |
| 15、恒力弹簧   | 15, constant spring         |
| 16、钢铠     | 16, steel armor             |
| 17、电缆外护套  | 17, cable outer sheath      |
| 19、冷缩三支套  | 19, and three sets of       |
| 20、屏蔽接地线  | 20, shielded grounding wire |
| 21、钢铠接地线  | 21, steel armored ground    |

三芯冷缩型户(内)外终端装配示意图  
Three core cooling type household (inner) diagram of external terminal assembly

型号及其含义 Model and Its Implications



- 例: 1. "NLS-10/3.2" 表示10KV冷缩电缆附件户内终端, 适用于截面为70-120mm<sup>2</sup>的三芯电缆。  
 2. "JLS-35/1.3" 表示35KV冷缩电缆附件中间接头, 适用于截面为300-400 mm<sup>2</sup>的单芯电缆。

Example: 1 "NLS-10/3.2" 10KV indoor terminal cable accessories, suitable for the cross-section of three core cable - the 70-120mm.  
 2 "JLS-35/1.3" 35KV cable accessories joints, suitable for cross section of single core cable 300-400 - mm.



1kV 硅橡胶冷缩电缆附件

1kV Silicon rubber cold shrink cable accessories

适用于0.6/1KV聚氯乙烯、交联聚乙烯、橡塑绝缘单芯、二芯、三芯、四芯、五芯电力电缆。

Applicable to 0.6/1KV PVC, polyethylene, plastic insulated single core, two core, three core, four core, five core power cable.

名称 Name	图片 Picture	型号 Model	适用电缆截面(mm <sup>2</sup> ) The application of cable section	单位 Company
三芯电缆终端 Three core cable terminal		LS-1/3.0	10-16	套/set
		LS-1/3.1	25-50	套/set
		LS-1/3.2	70-120	套/set
		LS-1/3.3	150-240	套/set
		LS-1/3.4	300-400	套/set
三芯电缆中间接头 Three core cable middle joint		JLS-1/3.0	10-16	套/set
		JLS-1/3.1	25-50	套/set
		JLS-1/3.2	70-120	套/set
		JLS-1/3.3	150-240	套/set
		JLS-1/3.4	300-400	套/set
四芯电缆终端 Four core cable terminal		LS-1/4.0	10-16	套/set
		LS-1/4.1	25-50	套/set
		LS-1/4.2	70-120	套/set
		LS-1/4.3	150-240	套/set
		LS-1/4.4	300-400	套/set
四芯电缆中间接头 Four core cable middle joint		JLS-1/4.0	10-16	套/set
		JLS-1/4.1	25-50	套/set
		JLS-1/4.2	70-120	套/set
		JLS-1/4.3	150-240	套/set
		JLS-1/4.4	300-400	套/set
五芯电缆终端 Five core cable terminal		LS-1/5.0	10-16	套/set
		LS-1/5.1	25-50	套/set
		LS-1/5.2	70-120	套/set
		LS-1/5.3	150-240	套/set
		LS-1/5.4	300-400	套/set
五芯电缆中间接头 Five core cable middle joint		JLS-1/5.0	10-16	套/set
		JLS-1/5.1	25-50	套/set
		JLS-1/5.2	70-120	套/set
		JLS-1/5.3	150-240	套/set
		JLS-1/5.4	300-400	套/set

10kV 冷缩电力电缆终端  
10kV Cold shrink power cable terminal



名称 Name	型号 Model	适用导体截面积(mm <sup>2</sup> ) Applicable conductor cross-sectional area
10kV单芯冷缩户内终端 10kV Single corecooling indoor terminal	NLS-10/1.1	25-50
	NLS-10/1.2	70-120
	NLS-10/1.3	150-240
	NLS-10/1.4	300-400
10kV单芯冷缩户外终端 10kV Single corecooling outdoor terminal	WLS-10/1.1	25-50
	WLS-10/1.2	70-120
	WLS-10/1.3	150-240
	WLS-10/1.4	300-400
10kV三芯冷缩户内终端 10kV Three corecooling indoor terminal	NLS-10/3.1	25-50
	NLS-10/3.2	70-120
	NLS-10/3.3	150-240
	NLS-10/3.4	300-400
10kV三芯冷缩户外终端 10kV Three corecooling outdoor terminal	WLS-10/3.1	25-50
	WLS-10/3.2	70-120
	WLS-10/3.3	150-240
	WLS-10/3.4	300-400

使用范围 Range of use

适用于电压等级3.6/6KV、6/6KV、6/10KV、8.7/10KV、8.7/15KV的单芯三芯交联电力电缆的连接，起密封、绝缘、应力疏散的作用。特别适用于石油、化工、矿山等易燃易爆场所。

Suitable for voltage level 3.6/6KV, 6/6KV, 6/10KV, 8.7/10KV, 8.7/15KV single core three core cross-linked power cable connection, the role of sealing, insulation, stress evacuation. Particularly suitable for use in petroleum, chemical, mining and other inflammable and explosive places.

冷缩电缆附件配件明细 Cable accessories accessories list

冷缩终端 Cold terminal	半导电带 Semi conductive tape	硅脂膏 Grease Paste	清洗纸 Cleaning paper	纸卡 Card
护套管 Casing pipe	填充胶 Filling glue	PVC PVC	创可贴 Band aid	安装工艺 Installation process
密封管 Sealed tube	编织地线 Braided wire	相色圈 Phase color ring	J-20 J-20	合格证 Certificate
恒力弹簧 Constant spring	卷尺 Tape	施工手套 Construction gloves	扎带 Tie	绝缘管 Insulating tube

20kV 冷缩电力电缆终端  
20kV Cold shrink power cable terminal



名称 Name	型号 Model	适用导体截面积(mm <sup>2</sup> ) Applicable conductor cross-sectional area
20kV单芯冷缩户内终端 20kV Single corecooling indoor terminal	NLS-20/1.1	35-70
	NLS-20/1.2	95-185
	NLS-20/1.3	240-400
	NLS-20/1.4	500-800
20kV单芯冷缩户外终端 20kV Single corecooling outdoor terminal	WLS-20/1.1	35-70
	WLS-20/1.2	95-185
	WLS-20/1.3	240-400
	WLS-20/1.4	500-800
20kV三芯冷缩户内终端 20kV Three corecooling indoor terminal	NLS-20/3.1	35-70
	NLS-20/3.2	95-185
	NLS-20/3.3	240-400
	NLS-20/3.4	500-800
20kV三芯冷缩户外终端 20kV Three corecooling outdoor terminal	WLS-20/3.1	35-70
	WLS-20/3.2	95-185
	WLS-20/3.3	240-400
	WLS-20/3.4	500-800

使用范围 Range of use

适用于电压等级12/20KV、18/20KV、18/30KV的单芯三芯交联电力电缆的连接，起密封、绝缘、应力疏散的作用。先进的后注射工艺，更好的解决了局放问题，确保了运行安全可靠。特别适用于石油、化工、矿山等易燃易爆场所。

The 12/20KV, 18/20KV and 18/30KV are applied to the connection of the single core three core cross linking power cable, which is the function of sealing, insulation and stress evacuation. Advanced after injection process, the better to solve the problem, to ensure the safety and reliability of the operation. Particularly suitable for use in petroleum, chemical, mining and other inflammable and explosive places.

冷缩电缆附件配件明细 Cable accessories accessories list

冷缩终端 Cold terminal	半导电带 Semi conductive tape	硅脂膏 Grease Paste	清洗纸 Cleaning paper	纸卡 Card	方巾 Kerchief
护套管 Casing pipe	填充胶 Filling glue	PVC PVC	创可贴 Band aid	安装工艺 Installation process	三角垫锥 Cone cone
密封管 Sealed tube	编织地线 Braided wire	相色圈 Phase color ring	J-20 J-20	合格证 Certificate	纱布条 Gauze strip
恒力弹簧 Constant spring	卷尺 Tape	施工手套 Construction gloves	扎带 Tie	绝缘管 Insulating tube	



35kV 冷缩电力电缆终端  
35kV Cold shrink power cable terminal



名称 Name	型号 Model	适用导体截面积(mm <sup>2</sup> ) Applicable conductor cross-sectional area
35kV单芯冷缩户内终端 35kV Single corecooling indoor terminal	NLS-35/1.1	50-95
	NLS-35/1.2	120-240
	NLS-35/1.3	300-400
	NLS-35/1.4	500-800
35kV单芯冷缩户外终端 35kV Single corecooling outdoor terminal	WLS-35/1.1	50-95
	WLS-35/1.2	120-240
	WLS-35/1.3	300-400
35kV三芯冷缩户内终端 35kV Three corecooling indoor terminal	NLS-35/3.1	50-95
	NLS-35/3.2	120-240
	NLS-35/3.3	300-400
35kV三芯冷缩户外终端 35kV Three corecooling outdoor terminal	WLS-35/3.1	50-95
	WLS-35/3.2	120-240
	WLS-35/3.3	300-400
	WLS-35/3.4	500-800

使用范围 Range of use

适用于电压等级21/31.5KV、26/31.5KV的单芯三芯交联电力电缆的连接，起密封、绝缘、应力疏散的作用。特别适合用于石油、化工、矿山等易燃易爆场所。

Suitable for the voltage level 21/31.5KV, 26/31.5KV single core three core cross-linked power cable connection, play the role of sealing, insulation, stress evacuation. Particularly suitable for use in petroleum, chemical, mining and other inflammable and explosive places.

冷缩电缆附件配件明细 Cable accessories accessories list

填充胶 Filling glue	密封胶 Sealant	J-20 J-20	半导电带 Semi conductive tape
编织铜地线 Braided copper wire	恒力弹簧 Constant spring	相色带 Phase ribbon	硅脂膏 Grease Paste
棉白手套 Cotton white gloves	清洁纸 Cleaning paper	卷尺 Tape	砂纸 Sandpaper
创口贴 Band-aid	三角锥 Triangular cone	安装工艺 Installation process	合格证 Certificate

10kV 冷缩电力电缆终端  
10kV Cold shrink power cable terminal



名称 Name	型号 Model	适用导体截面积(mm <sup>2</sup> ) Applicable conductor cross-sectional area
10kV单芯冷缩中间接头 10kV Single corecooling intermediate joint	JLS-10/1.1	25-50
	JLS-10/1.2	70-120
	JLS-10/1.3	150-240
	JLS-10/1.4	300-400
10kV三芯冷缩中间接头 10kV Three corecooling intermediate joint	JLS-10/3.1	25-50
	JLS-10/3.2	70-120
	JLS-10/3.3	150-240
	JLS-10/3.4	300-400

使用范围 Range of use

适用于电压等级3.6/6KV、6/6KV、6/10KV、8.7/10KV、8.7/15KV的单芯三芯交联电力电缆的连接，起密封、绝缘、应力疏散的作用。特别适合用于石油、化工、矿山等易燃易爆场所。

Suitable for voltage level 3.6/6KV, 6/6KV, 6/10KV, 8.7/10KV, 8.7/15KV single core three core cross-linked power cable connection, the role of sealing, insulation, stress evacuation. Particularly suitable for use in petroleum, chemical, mining and other inflammable and explosive places.

冷缩电缆附件配件明细 Cable accessories accessories list

冷缩终端 Cold terminal	半导电带 Semi conductive tape	硅脂膏 Grease Paste	清洗纸 Cleaning paper	纸卡 Card
护套管 Casing pipe	填充胶 Filling glue	PVC PVC	创可贴 Band aid	安装工艺 Installation process
密封管 Sealed tube	编织地线 Braided wire	相色圈 Phase color ring	J-20 J-20	合格证 Certificate
恒力弹簧 Constant spring	卷尺 Tape	施工手套 Construction gloves	扎带 Tie	绝缘管 Insulating tube

20kV 冷缩电力电缆终端  
20kV Cold shrink power cable terminal



名称 Name	型号 Model	适用导体截面积(mm <sup>2</sup> ) Applicable conductor cross-sectional area
20kV单芯冷缩中间接头 20kV Single core cooling intermediate joint	JLS-20/1.1	35-70
	JLS-20/1.2	95-185
	JLS-20/1.3	240-400
	JLS-20/1.4	500-800
20kV三芯冷缩中间接头 20kV Three core cooling intermediate joint	JLS-20/3.1	35-70
	JLS-20/3.2	95-185
	JLS-20/3.3	240-400
	JLS-20/3.4	500-800

使用范围 Range of use

适用于电压等级12/20KV、18/20KV、18/30KV的单芯三芯交联电力电缆的连接，起密封、绝缘、应力疏散的作用。先进的后注射工艺，更好的解决了漏放问题，确保了运行安全可靠。特别适合用于石油、化工、矿山等易燃易爆场所。

The 12/20KV, 18/20KV and 18/30KV are applied to the connection of the single core three core cross linking power cable, which is the function of sealing, insulation and stress evacuation. Advanced after injection process, the better to solve the problem, to ensure the safety and reliability of the operation. Particularly suitable for use in petroleum, chemical, mining and other inflammable and explosive places.

冷缩电缆附件配件明细 Cable accessories accessories list

冷缩终端 Cold terminal	半导电带 Semi conductive tape	硅脂膏 Grease Paste	清洗纸 Cleaning paper	纸卡 Card	方巾 Kerchief
护套管 Casing pipe	填充胶 Filling glue	PVC PVC	创可贴 Band aid	安装工艺 Installation process	三角垫锥 Cone cone
密封管 Sealed tube	编织地线 Braided wire	相色圈 Phase color ring	J-20 J-20	合格证 Certificate	纱布条 Gauze strip
恒力弹簧 Constant spring	卷尺 Tape	施工手套 Construction gloves	扎带 Tie	绝缘管 Insulating tube	

35kV 冷缩电力电缆终端  
35kV Cold shrink power cable terminal



35kV三芯冷缩中间接头

名称 Name	型号 Model	适用导体截面积(mm <sup>2</sup> ) Applicable conductor cross-sectional area
35kV单芯冷缩中间接头 35kV Single core cooling intermediate joint	JLS-35/1.1	50-95
	JLS-35/1.2	120-240
	JLS-35/1.3	300-400
	JLS-35/1.4	500-800
35kV三芯冷缩中间接头 35kV Three core cooling intermediate joint	JLS-35/3.1	50-95
	JLS-35/3.2	120-240
	JLS-35/3.3	300-400
	JLS-35/3.4	500-800

使用范围 Range of use

适用于电压等级21/31.5KV、26/31.5KV的单芯三芯交联电力电缆的连接，起密封、绝缘、应力疏散的作用。特别适合用于石油、化工、矿山等易燃易爆场所。

Suitable for the voltage level 21/31.5KV, 26/31.5KV single core three core cross-linked power cable connection, play the role of sealing, insulation, stress evacuation. Particularly suitable for use in petroleum, chemical, mining and other inflammable and explosive places.

冷缩电缆附件配件明细 Cable accessories accessories list

填充胶 Filling glue	密封胶 Sealant	J-20 J-20	半导电带 Semi conductive tape
编织铜地线 Braided copper wire	恒力弹簧 Constant spring	相色带 Phase ribbon	硅脂膏 Grease Paste
棉白手套 Cotton white gloves	清洁纸 Cleaning paper	卷尺 Tape	砂纸 Sandpaper
创可贴 Band-aid	三角锥 Triangular cone	安装工艺 Installation process	合格证 Certificate

电缆中间接头防爆盒

Explosion proof box for cable middle joint

概述 Summary

玻璃钢外壳产品种类繁多，主要有10kV单芯10kV三芯，35kV单芯35kV三芯，110kV，220kV，500kV单芯中间接头玻璃钢外壳几大类。玻璃钢外壳主要功能是耐受一定的外力碰撞和损伤中间接头。



A wide range of glass fiber reinforced plastic shell products, mainly 10kV single core 10kV three core, 35kV single core 35kV three core, 110kV, 220kV, 500kV single core intermediate joint glass steel shell a few categories. The main function of the glass fiber reinforced plastic shell is to withstand the impact of a certain external force and damage to the middle joint.

安装方法 Installation method

1. 准备工作
  - 1.1 检查所配玻璃钢外壳适用的规格和尺寸与电缆的外径和中间头(应力锥或铜壳)的配合尺寸是否吻合;
  - 1.2 检查玻璃钢外壳的密封材料(哈味开口的密封垫，玻璃钢外壳两端口与电缆的密封材料：带材和热缩管)是否齐全;
  - 1.3 检查高压电缆环氧泥两组份电缆胶包装是否完整，组份的数量是否充足;
2. 玻璃钢外壳的装配.对待安装的玻璃钢外壳的中间接头段清洁处理，装上玻璃钢外壳的上下半，引出同轴电缆或接地电缆，上紧若干个螺栓，防爆盒两端口和同轴电缆或接地电缆的密封处理(包防水密封带材和收缩热缩管);
3. 将滑石粉添加到环氧泥中，再把两组份高压电缆环氧泥合在一起搅拌均匀;
4. 将玻璃钢壳两端口填充环氧泥；环氧泥填充至壳体有点斜的部分，外面再缠上防水带。将两端口包裹严实。
5. 封盖口，安装完毕。

1. Preparations

- 1.1 Check the glass fiber reinforced plastic shell for the specifications and dimensions and the outer diameter of the cable and the middle head (stress cone or copper shell) with the size of the match;
- 1.2 Check the sealing material of the FRP shell (the sealing gasket of the opening of the HAF, the sealing material of the FRP shell and the cable and the heat-shrink tube) are complete;
- 1.3 Check the high-voltage cable epoxy mud two-component cable plastic packaging is complete, the number of components is sufficient;
2. Fiberglass housing assembly, For the installation of the FRP shell of the middle section of the cleaning process, install the upper and lower half of the fiberglass shell, leads to coaxial cable or grounding cable, tighten a number of bolts, explosion-proof box two-port and coaxial cable or grounding cable sealing treatment (Waterproof sealing tape and shrink shrink tube);
3. Add talc to the epoxy mud, and then the two components of the high-voltage cable epoxy mud together to stir evenly;
4. Fill the two ends of glass fiber reinforced plastic shell with epoxy mud; epoxy mud filled to the shell a little oblique part, and then wrapped around the waterproof belt. The two ports wrapped tightly.
5. Seal the cover, the installation is complete.

型号 Model	图片 Picture	长度 (mm) Length (mm)	内径 (mm) Inside diameter (mm)
10kV 电缆中间接头防爆盒 10kV Explosion proof box for cable middle joint		1600	180
35kV 电缆中间接头防爆盒 35kV Explosion proof box for cable middle joint		1620	255



细致专业

成为国内最专注最完善  
最值得信赖的电力附件制造企业  
Become the most dedicated most perfect  
The most trusted manufacturer of power attachments



G 热缩电缆附件

HEAT SHRINKABLE CABLE  
ACCESSORIES

# 10KV~35 KV 热缩电缆附件

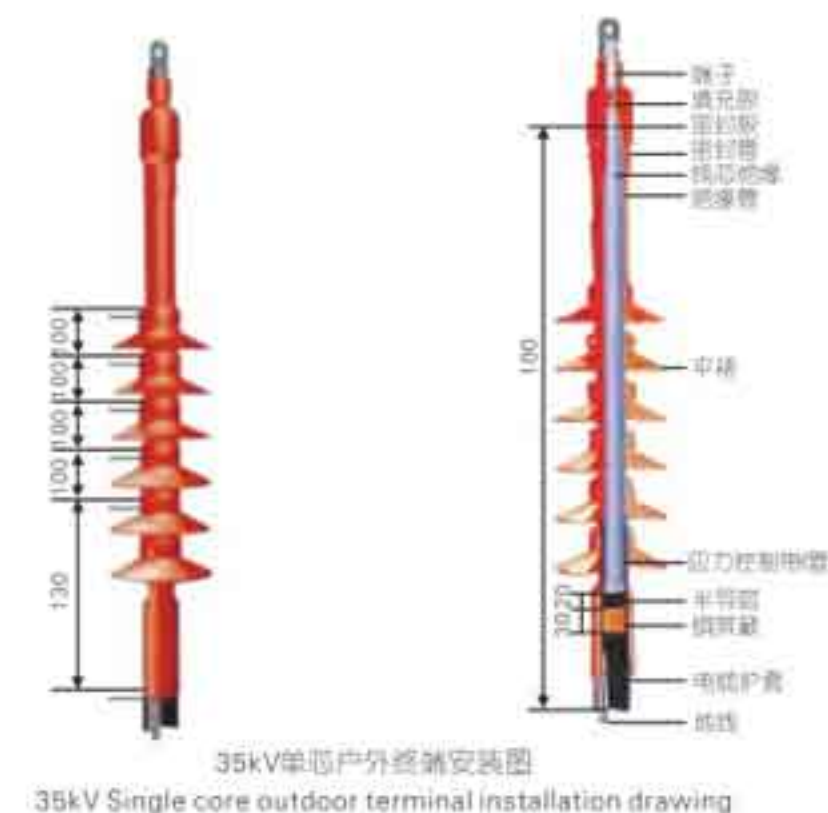
Heat Shrinkable Cable Accessories



## 热缩安装解析 Heat installation analysis



10kV三芯热缩终端剖面图  
10kV Three-pin thermal terminal section



## 型号及其含义 Model and Its Implications



例: 1. "WSY-10/1.3" 表示10kV交联聚乙烯绝缘电力电缆户外热缩终端适用于截面为150-240mm<sup>2</sup>的单芯电缆。  
2. "JSY-1/3.2" 表示1kV橡塑电力电缆热缩接头, 适用于截面70-120mm<sup>2</sup>的三芯电缆。

Example: 1. "WSY-10/1.3" said 10kV XLPE insulated power cable outdoor heat shrinkable terminations for in section 150-240mm<sup>2</sup> of single core cable.  
2 "JSY-1/3.2" 1kV rubber heat shrinkable power cable connector, three core cable used in section 70-120mm<sup>2</sup>.

1kV、10kV、20kV、35kV热缩电力电缆终端头、中间接头系列产品, 集防水、应力控制、屏蔽、绝缘于一体。具有良好的电气性能和机械性能, 能在各种恶劣的环境条件下长期使用。具有重量轻、安装方便等优点。广泛地应用于电力、石油化工、冶金、铁路港口和建筑领域。

1kV, 10kV and 20kV, 35kV heat shrinkable power cable terminal head, the middle connector series products, waterproof, stress control, shielding, insulation in one. Has good electrical and mechanical properties, can be used in a variety of harsh environment for long-term use. It has the advantages of light weight, convenient installation and so on. Widely used in electric power, petrochemical industry, metallurgy, railway port and construction field.

热缩电力电缆终端 Heat shrinkable power cable terminal



10、20、35kV中间接头组合套管  
10, 20, 35kV intermediate joint casing

- 1.支套-电缆线芯分支处的密封绝缘保护
  - 2.绝缘管-电缆线芯的绝缘保护盒增强绝缘
  - 3.应力管-控制电厂分布 改善高压电缆的电应力集中
  - 4.密封管-电缆终端连接处的外层密封和防水
  - 5.雨裙-增加电缆终端头的爬电距离
  - 6.辅助材料-填充胶、相色带、半导电自粘带、绝缘自粘带、接地线、清洁剂、手套等
1. Sets of sealed insulation protection – cable branch
  2. Insulation pipe insulation cable core reinforced insulation protection box
  3. Stress management – control of power plant distribution to improve the electrical stress concentration of high voltage cables
  4. Sealing and waterproofing of the outer layer of the cable terminal connection
  5. Rain skirt – increase the distance of the cable terminal head
  6. Auxiliary materials – filled rubber, ribbons, semi conductive self-adhesive tape, insulation tape, grounding wire, cleaning agents, gloves etc.

注意：使用石油气喷枪收缩热缩材料时，以红色火焰为宜，由中心位置逐渐向两端均匀加热，应避免局部高热烧伤产品。  
推荐使用的丙烷喷枪或电吹风加热收缩。

Note: the use of oil gas lance shrink material, with red flame is appropriate, from the center position gradually to both ends of the uniform heating, should avoid the local high fever burn products. The use of propane spray gun or hair dryer heating shrinkage.





1K 单芯、二芯、三芯、四芯、五芯热缩电缆终端头  
1K single core, two core, three core, four core, five core heat shrinkable cable terminal

适用于0.6/1KV聚氯乙烯、交联聚乙烯、橡胶绝缘单芯、二芯、三芯、四芯、五芯电力电缆。  
Suitable for 0.6/1KV polyvinyl chloride, crosslinked polyethylene, rubber insulated single core, two core, three core, four core, five core power cable.

名称 Name	图片 Picture	型号 Model	使用电缆截面 Using cable cross section	单位 Company	绝缘管长度(mm) Insulating tube Length (mm)
单芯电缆终端 Single core cable terminal		SY-1/1.0	10-16	套/set	600 800 1000
		SY-1/1.1	25-50	套/set	
		SY-1/1.2	70-120	套/set	
		SY-1/1.3	150-240	套/set	
二芯电缆终端 Two core cable terminal		SY-1/2.0	10-16	套/set	
		SY-1/2.1	25-50	套/set	
		SY-1/2.2	70-120	套/set	
		SY-1/2.3	150-240	套/set	
三芯电缆终端 Three core cable terminal		SY-1/3.0	10-16	套/set	
		SY-1/3.1	25-50	套/set	
		SY-1/3.2	70-120	套/set	
		SY-1/3.3	150-240	套/set	
四芯电缆终端 Four core cable terminal		SY-1/4.0	10-16	套/set	
		SY-1/4.1	25-50	套/set	
		SY-1/4.2	70-120	套/set	
		SY-1/4.3	150-240	套/set	
五芯电缆终端 Five core cable terminal		SY-1/5.0	10-16	套/set	
		SY-1/5.1	25-50	套/set	
		SY-1/5.2	70-120	套/set	
		SY-1/5.3	150-240	套/set	
		SY-1/5.4	300-500	套/set	

**1K 单芯、二芯、三芯、四芯、五芯热缩电缆中间接头**  
1K single core, two core, three core, four core, five core heat shrinkable cable terminal

适用于0.6/1KV聚氯乙烯、交联聚乙烯、橡胶绝缘单芯、二芯、三芯、四芯、五芯电力电缆。  
Suitable for 0.6/1KV polyvinyl chloride, crosslinked polyethylene, rubber insulated single core, two core, three core, four core, five core power cable.

名称 Name	图片 Picture	型号 Model	使用电缆截面 Using cable cross section	单位 Company	绝缘管长度(mm) Insulating tube Length (mm)
单芯电缆中间接头 Single core cable connector		JSY-1/1.0	10-16	套/set	600 800 1000
		JSY-1/1.1	25-50	套/set	
		JSY-1/1.2	70-120	套/set	
		JSY-1/1.3	150-240	套/set	
		JSY-1/1.4	300-500	套/set	
二芯电缆中间接头 Two core cable connector		JSY-1/2.0	10-16	套/set	
		JSY-1/2.1	25-50	套/set	
		JSY-1/2.2	70-120	套/set	
		JSY-1/2.3	150-240	套/set	
		JSY-1/2.4	300-500	套/set	
三芯电缆中间接头 Three core cable connector		JSY-1/3.0	10-16	套/set	
		JSY-1/3.1	25-50	套/set	
		JSY-1/3.2	70-120	套/set	
		JSY-1/3.3	150-240	套/set	
		JSY-1/3.4	300-500	套/set	
四芯电缆中间接头 Four core cable connector		JSY-1/4.0	10-16	套/set	
		JSY-1/4.1	25-50	套/set	
		JSY-1/4.2	70-120	套/set	
		JSY-1/4.3	150-240	套/set	
		JSY-1/4.4	300-500	套/set	
五芯电缆中间接头 Five core cable connector		JSY-1/5.0	10-16	套/set	
		JSY-1/5.1	25-50	套/set	
		JSY-1/5.2	70-120	套/set	
		JSY-1/5.3	150-240	套/set	
		JSY-1/5.4	300-500	套/set	

**热缩电力电缆终端**  
Heat shrinkable power cable terminal

10kV 热缩电力电缆终端  
10kV Heat shrinkable power cable terminal

名称 Name	型号 Model	使用电缆截面(mm <sup>2</sup> ) Using cable cross section (mm <sup>2</sup> )
10kV单芯热缩户内终端 10kV Single core indoor heat shrinkable terminal	NSY-10/1.1	25-50
	NSY-10/1.2	70-120
	NSY-10/1.3	150-240
	NSY-10/1.4	300-500
	WSY-10/1.1	25-50
10kV单芯热缩户外终端 10kV Single core heat shrinkable outdoor terminal	WSY-10/1.2	70-120
	WSY-10/1.3	150-240
	WSY-10/1.4	300-500
	NSY-10/3.1	25-50
	NSY-10/3.2	70-120
10kV三芯热缩户内终端 10kV Three core thermal indoor terminal	NSY-10/3.3	150-240
	NSY-10/3.4	300-500
	WSY-10/3.1	25-50
	WSY-10/3.2	70-120
	WSY-10/3.3	150-240
10kV三芯热缩户外终端 10kV Three core heat shrinkable outdoor terminal	WSY-10/3.4	300-500

热缩电力电缆终端  
Heat shrinkable power cable terminal

20 (24) kV 热缩电力电缆终端  
20 (24) kV Heat shrinkable power cable terminal

名称 Name	型号 Model	使用电缆截面(mm <sup>2</sup> ) Using cable cross section(mm <sup>2</sup> )
 20kV单芯热缩户内终端 20kV Single core indoor heat shrinkable terminal	NSY-20/1.1	50-95
	NSY-20/1.2	120-240
	NSY-20/1.3	300-400
	NSY-20/1.4	500-800
 20kV单芯热缩户外终端 20kV Single core heat shrinkable outdoor terminal	WSY-20/1.1	50-95
	WSY-20/1.2	120-240
	WSY-20/1.3	300-400
	WSY-20/1.4	500-800
 20kV三芯热缩户内终端 20kV Three core thermal indoor terminal	NSY-20/3.1	50-95
	NSY-20/3.2	120-240
	NSY-20/3.3	300-400
	NSY-20/3.4	500-800
 20kV三芯热缩户外终端 20kV Three core heat shrinkable outdoor terminal	WSY-20/3.1	50-95
	WSY-20/3.2	120-240
	WSY-20/3.3	300-400
	WSY-20/3.4	500-800

热缩电力电缆终端  
Heat shrinkable power cable terminal

35kV 热缩电力电缆终端  
35kV Heat shrinkable power cable terminal

名称 Name	型号 Model	使用电缆截面(mm <sup>2</sup> ) Using cable cross section(mm <sup>2</sup> )
 35kV单芯热缩户内终端 35kV single core indoor heat shrinkable terminal	NSY-35/1.1	50-120
	NSY-35/1.2	150-240
	NSY-35/1.3	300-500
 35kV单芯热缩户外终端 35kV single core heat shrinkable outdoor terminal	WSY-35/1.1	50-120
	WSY-35/1.2	150-240
	WSY-35/1.3	300-500
 35kV三芯热缩户内终端 10kV three core thermal indoor terminal	NSY-35/3.1	50-120
	NSY-35/3.2	150-240
	NSY-35/3.3	300-500
 35kV三芯热缩户外终端 35kV three core heat shrinkable outdoor terminal	WSY-35/3.1	50-120
	WSY-35/3.2	150-240
	WSY-35/3.3	300-500

热缩电力电缆中间接头  
Heat shrinkable power cable middle connector



10kV 热缩电力电缆中间接头  
10kV Heat shrinkable power cable middle connector

名称 Name	型号 Model	使用电缆截面(mm <sup>2</sup> ) Using cable cross section(mm <sup>2</sup> )
10kV单芯热缩接头 10kV single core heat shrinkable joint	JSY-10/1.1	25-50
	JSY-10/1.2	70-120
	JSY-10/1.3	150-240
	JSY-10/1.4	300-500
10kV三芯热缩接头 10kV three core heat shrinkable joint	JSY-10/3.1	25-50
	JSY-10/3.2	70-120
	JSY-10/3.3	150-240
	JSY-10/3.4	300-500

20kV 系列热缩电力电缆中间接头  
20kV series heat shrinkable power cable intermediate joint

名称 Name	型号 Model	使用电缆截面(mm <sup>2</sup> ) Using cable cross section(mm <sup>2</sup> )
20kV单芯热缩接头 20kV single core heat shrinkable joint	JSY-20/1.1	50-95
	JSY-20/1.2	120-240
	JSY-20/1.3	300-400
	JSY-20/1.4	500-800
20kV三芯热缩接头 20kV three core heat shrinkable joint	JSY-20/3.1	50-95
	JSY-20/3.2	120-240
	JSY-20/3.3	300-400
	JSY-20/3.4	500-800

35kV 系列热缩电力电缆中间接头  
35kV series heat shrinkable power cable intermediate joint

名称 Name	型号 Model	使用电缆截面(mm <sup>2</sup> ) Using cable cross section(mm <sup>2</sup> )
35kV单芯热缩接头 35kV single core heat shrinkable joint	JSY-35/1.1	50-120
	JSY-35/1.2	150-240
	JSY-35/1.3	300-500
35kV三芯热缩接头 35kV three core heat shrinkable joint	JSY-35/3.1	50-120
	JSY-35/3.2	150-240
	JSY-35/3.3	300-500

1kV 低压热缩母排  
1kV low voltage heat shrinkable busbar


广泛应用于电线的连接及末端处理、焊点和电阻等的绝缘保护。  
Widely used in wire connection and end treatment, solder joints and resistance insulation protection.

名称 Name	图片 Picture	包装 (m) Packaging (m)	直径 Diameter	单位 Company
1kV 低压阻燃热缩套管 1kV Low voltage flam retardant heat shrinkable sleeve		200	Φ1.0	米/rice
		200	Φ1.5	米/rice
		200	Φ2.0	米/rice
		200	Φ2.5	米/rice
		200	Φ3.0	米/rice
		200	Φ3.5	米/rice
		200	Φ4.0	米/rice
		100	Φ5.0	米/rice
		100	Φ6.0	米/rice
		100	Φ8.0	米/rice
		100	Φ10	米/rice
		100	Φ12	米/rice
		100	Φ14	米/rice
		100	Φ15	米/rice
		100	Φ16	米/rice
		100	Φ18	米/rice
		100	Φ20	米/rice
		100	Φ22	米/rice
		25	Φ25	米/rice
		25	Φ28	米/rice
25	Φ30	米/rice		
25	Φ35	米/rice		
25	Φ40	米/rice		
25	Φ50	米/rice		
25	Φ60	米/rice		
25	Φ70	米/rice		
25	Φ80	米/rice		
25	Φ90	米/rice		
25	Φ100	米/rice		
25	Φ120	米/rice		
25	Φ150	米/rice		




**黄绿热缩管**  
Green heat shrinkable tube

广泛应用于电线的连接及末端处理、焊点和电阻等的绝缘保护。  
Widely used in wire connection and end treatment, solder joints and resistance insulation protection.

名称 Name	图片 Picture	包装 (m) Packaging (m)	直径 Diameter	单位 Company
黄绿双色 热缩管 Yellow green colorHeat shrinkable tube		200	Φ1.0	米/rice
		200	Φ1.5	米/rice
		200	Φ2.0	米/rice
		200	Φ2.5	米/rice
		200	Φ3.0	米/rice
		200	Φ3.5	米/rice
		200	Φ4.0	米/rice
		100	Φ5.0	米/rice
		100	Φ6.0	米/rice
		100	Φ8.0	米/rice
		100	Φ10	米/rice
		100	Φ12	米/rice
		100	Φ14	米/rice
		100	Φ15	米/rice
		100	Φ16	米/rice
	100	Φ18	米/rice	
	100	Φ20	米/rice	
	100	Φ22	米/rice	
	25	Φ25	米/rice	
	25	Φ28	米/rice	
	25	Φ30	米/rice	
	25	Φ35	米/rice	
	25	Φ40	米/rice	
	25	Φ50	米/rice	
	25	Φ60	米/rice	
25	Φ70	米/rice		
25	Φ80	米/rice		
25	Φ90	米/rice		
25	Φ100	米/rice		

**10kV 热缩母排**  
10kV Heat shrinkable busbar

具有良好的热稳定性、阻燃性、柔软性、不龟裂性及耐电痕性，广泛用于变电站及各种开关柜母排的绝缘保护。  
With good thermal stability, flame retardancy, softness, no cracks and resistance to tracking, widely used in substation and switch cabinet bus bar insulation protection.

名称 Name	图片 Picture	包装 (m) Packaging (m)	直径 Diameter	单位 Company
10KV 热缩母排 10KV Heat shrinkabl busbar		50	Φ25	米/rice
		25	Φ30	米/rice
		25	Φ40	米/rice
		25	Φ50	米/rice
		25	Φ60	米/rice
		25	Φ80	米/rice
		25	Φ100	米/rice
		25	Φ120	米/rice
		25	Φ150	米/rice

**35kV 热缩母排**  
35kV Heat shrinkable busbar

具有良好的热稳定性、阻燃性、柔软性、不龟裂性及耐电痕性，广泛用于变电站及各种开关柜母排的绝缘保护。  
With good thermal stability, flame retardancy, softness, no cracks and resistance to tracking, widely used in substation and switch cabinet bus bar insulation protection.

名称 Name	图片 Picture	包装 (m) Packaging (m)	直径 Diameter	单位 Company
35KV 热缩母排 35KV Heat shrinkable busbar		20	Φ25	米/rice
		20	Φ30	米/rice
		20	Φ40	米/rice
		20	Φ50	米/rice
		20	Φ60	米/rice
		20	Φ80	米/rice
		20	Φ100	米/rice
		20	Φ120	米/rice
		20	Φ150	米/rice

母排接线盒  
Bus terminal box



MPH-1kV系列母排接线盒  
MPH-1kV Serier busbar connection box

主要应用于电厂、变电站中的母排连接处、电力变压器接线柱的绝缘保护及安全防护。  
Insulation protection and safety protection busbar is mainly used in power plant, substation, power transformer connection terminal.

名称 ame	适用线排宽度 Line width	单位 Company	名称 ame	适用线排宽度 Line width	单位 Company
MPH-1□□	20	只/only	MPH-1□□	80	只/only
MPH-1□□	30	只/only	MPH-1□□	100	只/only
MPH-1□□	40	只/only	MPH-1□□	120	只/only
MPH-1□□	50	只/only	MPH-1□□	150	只/only
MPH-1□□	60	只/only			

MPH-10kV系列母排接线盒  
MPH-10kV Serier busbarconnection box

名称 ame	适用线排宽度 Line width	单位 Company
MPH-10□□	20	只/only
MPH-10□□	30	只/only
MPH-10□□	40	只/only
MPH-10□□	50	只/only
MPH-10□□	60	只/only
MPH-10□□	80	只/only
MPH-10□□	100	只/only
MPH-10□□	120	只/only
MPH-10□□	150	只/only

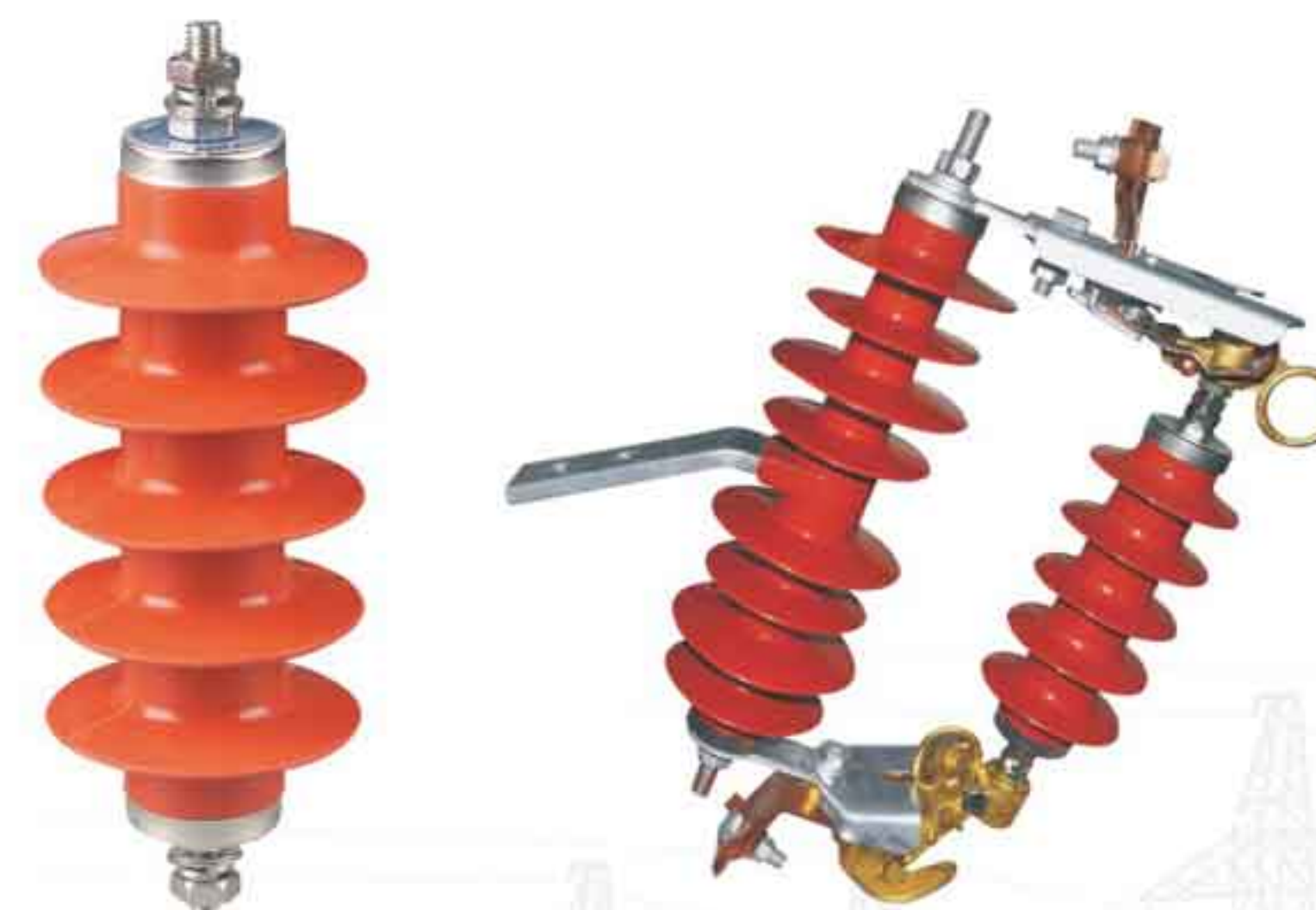
MPH-35kV系列母排接线盒  
MPH-35kV Serier busbar connection box

名称 ame	适用线排宽度 Line width	单位 Company
MPH-35□□	20	只/only
MPH-35□□	30	只/only
MPH-35□□	40	只/only
MPH-35□□	50	只/only
MPH-35□□	60	只/only
MPH-35□□	80	只/only
MPH-35□□	100	只/only
MPH-35□□	120	只/only
MPH-35□□	150	只/only



细致专业

成为国内最专注最完善  
最值得信赖的电力附件制造企业  
Become the most dedicated most perfect  
The most trusted manufacturer of power attachments



I 氧化锌避雷器

ZINC OXIDE  
ARRESTERS

基本原理  
Main Principle

氧化锌避雷器是目前国际最先进的过电压保护器。由于其核心元件电阻片采用氧化锌及多种金属氧化物制成，与传统碳化硅避雷器相比，大大改善了电阻片伏安特性，提高了电阻片的通流能力，从而带来避雷器特征的根本变化。

当避雷器在正常工作电压下，流过避雷器的电流仅有微安级，当遭受过电压时，避雷器优异的非线性伏安特性发挥作用，流过避雷器的电流瞬间增大到数千安培，避雷器处于导通状态，释放过电压能量，从而有效地限制了过电压对输变电设备的侵害。

The Zinc Oxide arrester is the most advanced over-voltage protector in the world. This is due to the incorporation of a zinc oxide arrester as the core resistor disc, which is a drastic improvement when compared to conventional silicon carbide arresters. Under normal operating voltage, the current through the arrester is only one micro-ampere degree. When the arrester experiences an over-voltage situation, the excellent non linear characteristics will increase the current through the arrester several thousand times. The arrester is in the conducting state and will release the over-voltage energy to earth and thereby protecting power transmission equipment against the effects of over-voltage.

基本原理  
Main Principle

产品性能符合GB11032-2000 (IEC60099-4, IEEE.C62.11)标准技术要求。

Product performance conforms to national standard technical requirements of GB11032-2000 (IEC60099-4, IEEE.C62.11)

使用条件  
Condition of Use

避雷器正常运行条件

- 1.环境温度不高于+40°C,不低于-40°C;
  - 2.海拔高度不超过1000m(高原地区应在订货时注明);
  - 3.电源的频率不小于48Hz,不高于62Hz;
  - 4.长期施加在避雷器上的工作电压应不超过避雷器的持续运行电压;
  - 5.最大风速不超过35m/s
  - 6.地震烈度7度及以下地区。
- 污秽地区应注明。

Normal operating conditions for lightning arrester:

- 1.The ambient air temperature is no higher than +40°C, no lower than -40°C
  - 2.The altitude above sea level does not exceed 1000m.(the plateau area should be indicated when order).
  - 3.AC system frequency is 50Hz or 60Hz.
  - 4.Power frequency voltage brought to bear on arrester for a long time does not exceed the continuous operation voltage of the arrester.
  - 5.Maximum wind speed does not exceed 35m/s.
  - 6.The earthquake intensity does not exceed 7 degrees.
- The filthy area should be indicated.

型号说明  
Model and Meaning



- 附加特征: W-防污型; G-高原型。  
Additional characteristics: W-Anti-pollution type; G-Plateau type.
- 标称放电电流下最大残压(kV)  
Max.residual voltage under nominal discharging current (kV)
- 避雷器额定电压(kV)  
Rated voltage for lightning arrester(kV)
- 产品设计序号  
Product design sequence Number
- S-配电; Z-电站; R-电容器组; X-线路; T-铁道;  
S-Distribution; Z-Station; R-Capacitor group; X-line; T-Railway;
- D-发电机、电动机; F-用于全封闭电器中保护; O-用于油中。  
D-Electric motor; F-Protection for full-sealed electric equipment; O-in oil
- W-无间隙; C-有串联间隙。  
W-Gapless; C-Gapped.
- 标称放电电流(kA)  
Nominal discharging current(kA)
- 金属氧化锌避雷器  
Metal Oxide Lightning Arrester
- 复合有机外套  
Composite housing

用途说明  
Usage & Feature

氧化锌避雷器是交流电力系统的电气设备免受大气过电压和操作过电压危害的保护设备。  
The Zinc Oxide lightning arrester protects the electrical equipments in AC power systems against being damaged by atmospheric over-voltage and operational over-voltage.

5kA 无间隙避雷器 Nominal Discharge Current 5kA Metal-oxide Lightning Arrester Without Gaps ( export )

型号 Type	额定电压 Rated voltage kV(rms)	最大持续运行电压 Maximum continuous operation voltage kV(rms)	残压 Max. residual voltage			方波冲击 电流耐受 2000 μs Square wave current impulse withstand A (crest)	大电流耐受 4/10 μs High current impulse kA(crest)
			陡坡冲击电流 Steep Current impulse kV(crest)	30/60 μs 操作冲击电流 Switching Current impulse kV(crest)	8/20 μs 雷电冲击电流 Lightning Current impulse kV(crest)		
YH5W-3	3	2.55	9.5	7.7	9	100	65
YH5W-6	6	5.1	19.0	15.4	18	100	65
YH5W-9	9	7.65	28.5	23.1	27	100	65
YH5W-10	10	8.3	36.0	27.0	30	100	65
YH5W-11	11	9.5	38.5	30.0	33	100	65
YH5W-12	12	10.2	38.0	30.8	36	100	65
YH5W-15	15	12.7	47.5	38.5	45	100	65
YH5W-18	18	15.3	57.0	46.2	54	100	65
YH5W-21	21	17.0	66.5	53.9	63	100	65
YH5W-24	24	19.5	76.0	61.6	72	100	65
YH5W-27	27	21.9	85.5	69.3	81	100	65
YH5W-30	30	24.4	95.0	76.5	90	100	65
YH5W-33	33	26.8	104.0	84.7	99	100	65
YH5W-36	36	29.0	114.0	92.4	108	100	65
YH5W-42	42	34.1	132.3	100.1	126	100	65

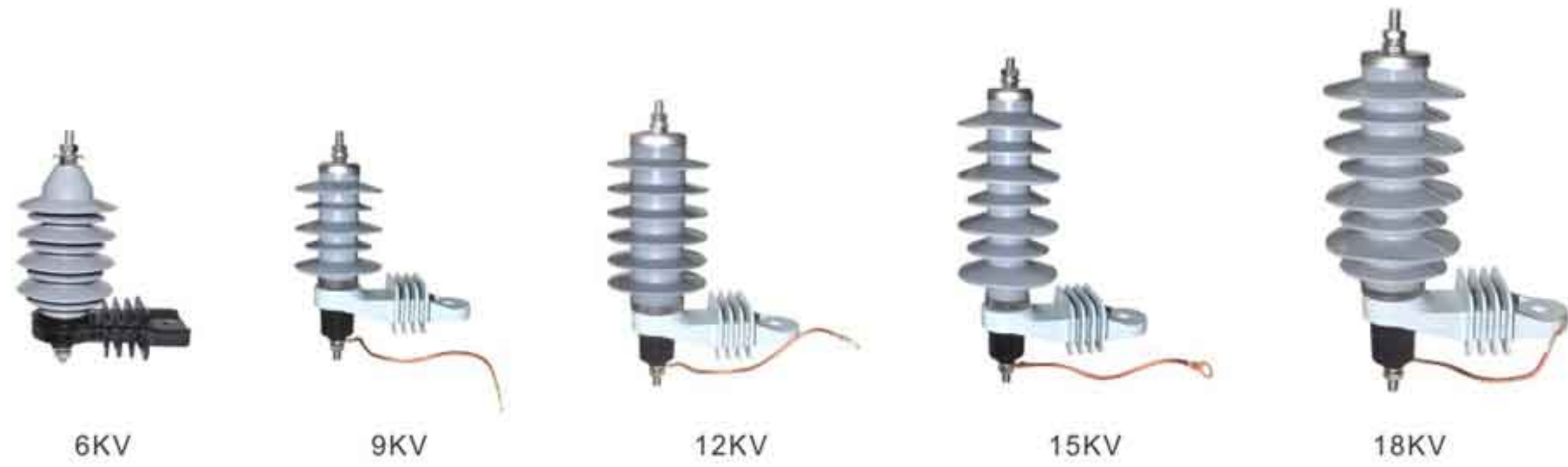
10kA 无间隙避雷器 Nominal Discharge Current 10kA Metal-oxide Lightning Arrester Without Gaps (export)

型号 Type	额定电压 Rated voltage kV(rms)	最大持续运行电压 Maximum continuous operation voltage kV(rms)	残压 Max. residual voltage			方波冲击 电流耐受 2000 μs Square wave current impulse withstand A (crest)	大电流耐受 4/10 μs High current impulse kA(crest)
			陡坡冲击电流 Steep Current impulse kV(crest)	30/60 μs 操作冲击电流 Switching Current impulse kV(crest)	8/20 μs 雷电冲击电流 Lightning Current impulse kV(crest)		
YH10W-3	3	2.55	9.5	7.7	9	250	100
YH10W-6	6	5.1	19.0	15.4	18	250	100
YH10W-9	9	7.65	28.5	23.1	27	250	100
YH10W-10	10	8.3	36.0	27.0	30	250	100
YH10W-11	11	9.5	38.5	30.0	33	250	100
YH10W-12	12	10.2	38.0	30.8	36	250	100
YH10W-15	15	12.7	47.5	38.5	45	250	100
YH10W-18	18	15.3	57.0	46.2	54	250	100
YH10W-21	21	17.0	66.5	53.9	63	250	100
YH10W-24	24	19.5	76.0	61.6	72	250	100
YH10W-27	27	21.9	85.5	69.3	81	250	100
YH10W-30	30	24.4	95.0	76.5	90	250	100
YH10W-33	33	26.8	104.5	84.7	99	250	100
YH10W-36	36	29.0	114.0	92.4	108	250	100
YH10W-42	42	34.1	133.0	100.1	126	250	100
YH10W-48	48	39.0	152.0	126.0	150	400	100
YH10W-54	54	43.0	171.0	139.0	162	400	100
YH10W-60	60	48.0	208.0	160.0	180	400	100
YH10W-66	66	53.4	230.0	172.0	198	400	100

备注: "YH" 型号为复合外套氧化性避雷器, 如果是瓷套避雷器, 则去掉型号里的 "H"。  
Note: "YH" is the polymeric housing metal oxide Lightning arrester, if it is porcelain housing, then without "H".

YH10W, YH5W 复合绝缘避雷器  
Polymer type Lightning Arrester

氧化锌避雷器



6KV 9KV 12KV 15KV 18KV



18-20KV 21KV 21-24KV 24KV 27KV



27-30KV 27-30KV 30-33KV 33-36KV 33-36KV

Y5W, Y10W, Y5C, Y10C 瓷套避雷器  
Porcelain Lightning Arrester

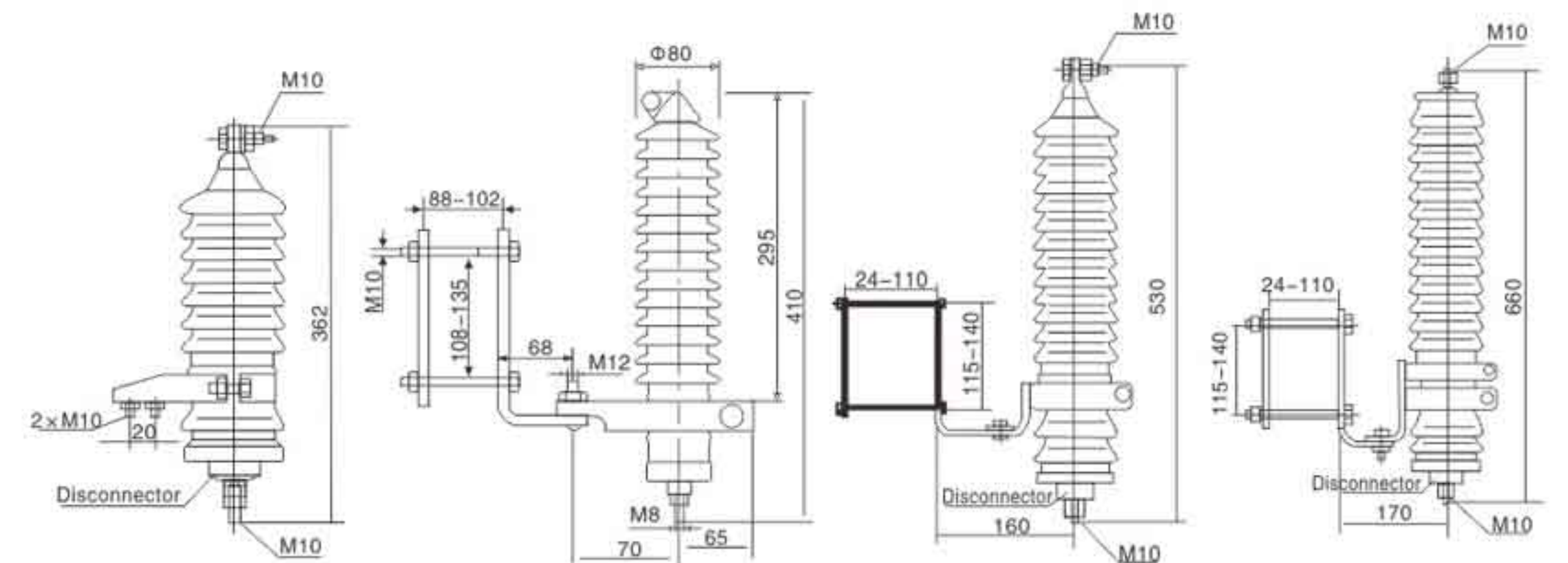
氧化锌避雷器



9-10KV 9-15KV 24KV 24KV 18KV



24KV 24KV 33KV 36KV 72KV



5kA 串联间隙避雷器

Nominal Discharge Current 5kA Porcelain Housed Metal-oxide Lightning Arrester with series gap (export)

型号 Type	额定电压 Rated voltage	最大持续运行电压 Maximum continuous operation voltage	放电电压Sparkover voltage(KV)		8/20 $\mu$ s 雷电冲击 电流下残压 Lightning Current impulse	方波冲击 电流耐受 (峰值) 2000 $\mu$ s Square wave current impulse withstand	大电流耐受 4/10 $\mu$ s High current impulse
			工频 Power frequency	1.2/50 $\mu$ s 雷电冲击 Lighting impulse			
			KV(r.m.s)	kV(crest)			
Y5C-3	3	2.55	5.0	7.8	9	100	65
Y5C-6	6	5.1	10.0	15.5	18	100	65
Y5C-9	9	7.65	16.5	24.5	27	100	65
Y5C-10	10	8.4	18.0	27.2	30	100	65
Y5C-12	12	10.2	21.0	32.6	36	100	65
Y5C-15	15	12.7	25.0	38.8	45	100	65
Y5C-18	18	15.3	31.0	48.1	54	100	65
Y5C-21	21	17.0	34.0	52.7	63	100	65
Y5C-24	24	19.2	39.0	60.5	75	100	65
Y5C-27	27	21.9	45.0	69.8	81	100	65
Y5C-30	30	24.4	50.0	77.5	90	100	65
Y5C-33	33	26.8	55.0	85.3	99	100	65
Y5C-36	36	29.0	60.0	93.0	108	100	65
Y5C-42	42	34.1	70.0	108.5	126	100	65

10kA 串联间隙避雷器

Nominal Discharge Current 10kA Porcelain Housed Metal-oxide Lightning Arrester with series gap (export)

型号 Type	额定电压 Rated voltage	最大持续运行电压 Maximum continuous operation voltage	放电电压Sparkover voltage(KV)		8/20 $\mu$ s 雷电冲击 电流下残压 Lightning Current impulse	方波冲击 电流耐受 (峰值) 2000 $\mu$ s Square wave current impulse withstand	大电流耐受 4/10 $\mu$ s High current impulse
			工频 Power frequency	1.2/50 $\mu$ s 雷电冲击 Lighting impulse			
			KV(r.m.s)	kV(crest)			
Y10C-3	3	2.55	5.0	7.8	9	1	100
Y10C-6	6	5.1	10.0	15.5	18	1	100
Y10C-9	9	7.65	16.5	24.5	27	1	100
Y10C-10	10	8.40	18.0	27.2	30	1	100
Y10C-12	12	10.2	21.0	32.6	36	1	100
Y10C-15	15	12.7	25.0	38.8	45	1	100
Y10C-18	18	15.3	31.0	48.1	54	1	100
Y10C-21	21	17.0	34.0	52.7	63	1	100
Y10C-24	24	19.2	39.0	60.5	75	1	100
Y10C-27	27	21.9	45.0	69.8	81	1	100
Y10C-30	30	24.4	50.0	77.5	90	1	100
Y10C-33	33	26.8	55.0	85.3	99	1	100
Y10C-36	36	29.0	60.0	93.0	108	1	100
Y10C-42	42	34.1	70.0	108.5	126	1	100

备注：“Y”型号为瓷套氧化锌避雷器，如果是复合外套避雷器，则型号为“YH”开头。

Note: "Y" type is porcelain housing metal oxide lightning arrester, if it is polymer housing lightning arrester, then the type is starting by "YH".

氧化锌避雷器技术参数

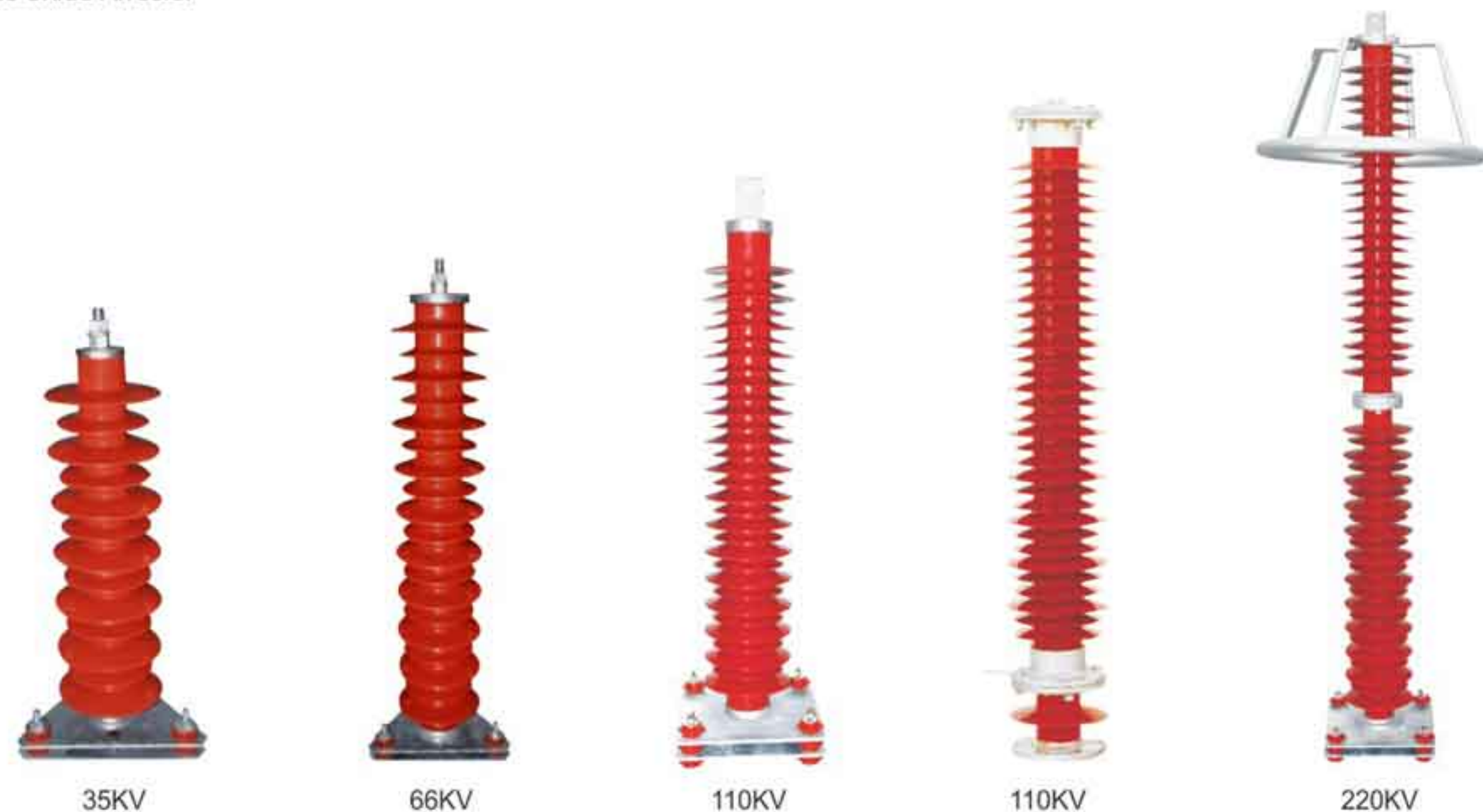
Metal-oxide Lightning Arrester Technical Parameter

使用场所 Service condition	型号 Type	避雷器 额定电压 MOA Rated Voltage (kV)	系统标称 电压 System Nominal Voltage (kV)	持续运行 电压 Continuous Operation Voltage (kV)	直流1mA 参考电压 DC Min U1mA reference voltage (kV) $\geq$	残压峰值 Residual voltage (kV) $\leq$	1/4 $\mu$ s 陡坡 冲击电流 Steep Current impulse	8/20 $\mu$ s 雷电 冲击电流 Lightning Current impulse	30/60 $\mu$ s 操作 冲击电流 Switching current impulse	方波冲击 电流耐受 2000 $\mu$ s Square wave current impulse withstand (A)	大电流 耐受 4/10 $\mu$ s High Current impulse (A)
低压 Low voltage	YH1.5W-0.28/1.3	0.28	0.22	0.24	0.6	/	1.3	/		75	25
	YH1.5W-0.5/2.6	0.5	0.38	0.42	1.2	/	2.6	/			
配电 Distribution	YH5WS-3.8/17	3.8	3	3.2	7.5	19.6	17.0	14.5		100	65
	YH5WS-5/17	5	3	4.0	7.5	19.6	17.0	14.5			
	YH5WS-7.6/30	7.6	6	4.0	15	34.5	30.0	25.5			
	YH5WS-10/30	10	6	8.0	15	34.6	30.0	25.5			
	YH5WS-17/50	17	10	13.6	25	57.5	50.0	42.5			
5KA 电站 Substation (Z)	YH5WZ-3.8/13.5	3.8	3	3.2	7.2	14.5	13.5	11.5		200	65
	YH5WZ-7.6/27	7.6	6	4.0	14.4	31	27	23			
	YH5WZ-10/27	10	6	8.0	14.4	31	27	23			
	YH5WZ-17/45	17	10	13.6	24	51.8	45	38.3			
	YH5WZ-42/134	42	35	23.4	73	154	134	114			
	YH5WZ-51/134	51		40.8	73	154	134	114		400	100
	YH5WZ-52.7/134	52.7		42.2	73	154	134	114			
	YH5WZ-54/134	54	66	43.2	73	154	134	114			
	YH5WZ-84/221	84		67.2	121	254	221	188			
	YH5WZ-90/224	90		72.5	130	258	224	190		600	100
	YH5WZ-94/224	94	110	75.5	134	270	234	198			
	YH5WZ-96/250	96		75	140	287	250	212			
	YH5WZ-100/260	100		78	145	299	260	221			
	YH5WZ-102/260	102	66	80	148	305	266	226		600	100
	YH5WZ-108/281	108		84	157	323	281	239			
YH5WZ-116/302	116	88.2		168	347	302	256				
10KA 电站 Substation (Z)	YH10WZ-51/134	51	35	40.8	73	154	134	114		400	100
	YH10WZ-52.7/134	52.7		42.2	73	154	134	114			
	YH10WZ-72/184	72	66	57	105	211	184	165			
	YH10WZ-75/223	75		60	127	256	223	190			
	YH10WZ-75/230	75		60	127	265	230	196		600	100
	YH10WZ-75/250	75	110	60	127	288	250	213			
	YH10WZ-84/215	84		67.2	122	245	215	181			
	YH10WZ-90/235	90		72.5	130	264	235	201			
	YH10WZ-96/250	96	66	75	140	280	250	212			
	YH10WZ-100/260	100		78	145	291	260	221			
	YH10WZ-102/266	102		79.6	148	297	266	226			
	YH10WZ-108/281	108	110	84	157	315	281	239		600	100
	YH10WZ-116/302	116		88	168	338	302	257			
	YH10WZ-120/300	120		96	174	335	300	270			
	YH10WZ-126/328	126	110	95.8	183	367	328	279			
YH10WZ-150/400	150	115		230	444	400	352				

使用场所 Service condition	型号 Type	避雷器 额定电压 MOA Rated Voltage (kV)	系统 标称电压 System Nominal Voltage (kV)	持续运行 电压 Continuous Operation Voltage (kV)	直流1mA 参考电压 DC Min U1mA reference voltage (kV) ≥	残压峰值 Residual voltage (kV) ≤			方波冲击 电流耐受 2000 μs Square wave current impulse withstand (A)	大电流 耐受 4/10 μs High Current impulse (A)
						1/4 μs 陡坡 冲击电流 Steep Current impulse	8/20 μs 雷电 冲击电流 Lightning Current impulse	30/60 μs 操作 冲击电流 Switching current impulse		
10KA 电站 Substation (Z)	YH10WZ-192/500	192	220	150	280	560	500	426	600,800, 1000	100
	YH10WZ-200/520	200		156	290	582	520	442		
	YH10WZ-204/532	204		159	296	594	532	452		
	YH10WZ-216/562	216		168.5	314	630	562	478		
20KA 电站 Substation	YH20WZ-200/566	200	220	152	304	634	566	464	1200	100
变压器 中性点 Neutral point of transformer	YH1.5W-55/132	55	110	43	79	/	132	126	400	65
	YH1.5W-60/144	60		48	85	/	144	135		
	YH1.5W-72/186	72		58	103	/	186	174		
	YH1.5W-73/200	73	500	58	105	/	200	174	600	100
	YH1.5W-96/260	96		77	137	/	260	243		
	YH1.5W-144/320	144		116	205	/	320	299		
YH1.5W-207/440	207	330	166	292	/	440	410			
电容 Capacitor (R)	YH5WR-3.8/13.5	3.8	3	2.0	7.2	/	13.5	10.5	400	65
	YH5WR-5/13.5	5		3.8	7.2	/	13.5	10.5		
	YH5WR-10/27	10	6	8.0	14.4	/	27	20.8		
	YH5WR-17/45	17	10	13.6	24	/	45	38.3		
	YH5WR-51/134	51	35	40.8	73	/	134	105		
	YH5WR-84/221	84	66	67.2	121	/	221	176		
YH5WR-90/235	90	72.5		130	/	235	190			
电动机 Motor (D)	YH2.5WD-4/9.5	4	3.15	3.2	5.7	10.7	9.5	7.6	400	65
	YH2.5WD-8/18.7	8	6.3	6.3	11.2	21.0	18.7	15		
	YH2.5WD-12.7/31	12.7	9.8	9.8	18.6	34.7	31	25		
	YH2.5WD-13.5/31	13.5	10.5	10.5	18.6	34.7	31	25.0		
电机 中性点 Neutral point of motor (D)	YH1.5WD-2.4/6	2.4	3.2	1.9	3.4	/	6	5	200 300 400	65, 100
	YH1.5WD-4.8/12	4.8	6.3	3.8	6.8	/	12	10		
	YH1.5WD-8/19	8	10.5	6.4	11.4	/	19	15.9		
	YH1.5WD-12/26	12	15.75	9.6	17	/	26	21.6		
	YH1.5WD-13.7/29.2	13.7	18	11	19.5	/	29.2	24.3		
发电机 Generator (D)	YH5WD-4/9.5	4	3.15	3.2	5.7	10.7	9.5	7.6	400	65
	YH5WD-8/18.7	8	6.3	6.3	11.2	21.0	18.7	15.0		
	YH5WD-13.5/31	13.5	10.5	10.5	18.6	34.7	31	25.0		
	YH5WD-17.5/40	17.5	13.8	13.8	24.4	44.8	40	32.0		
	YH5WD-20/45	20	15.8	15.8	28.0	50.4	45	35.0		
	YH5WD-23/51	23	18	18	31.9	57.2	51	40.8		
YH5WD-25/56.2	25	20	20	35.4	62.9	56.2	45.0			
电气化 铁道 Railway Traction	YH5WT-17/45	17	10	13.6	24.0	51.8	45	38.3	200	65
	YH5WT-42/105	42	27.5	34	60	118	105	89	400	65
	YH5WT-42/120	42		34	65	138	120	98		
	YH10WT-42/120	42		34	65	138	120	98		
	YH5WT-84/240	84	55	68	130	276	240	196	600	100
	YH10WT-100/260	100	110	73	145	291	260	221		
YH10WT-200/520	200	220	146	290	582	520	442			

备注：“YH”型号为复合外套氧化锌避雷器，如果是瓷套避雷器，则去掉型号里的“H”。  
Note: "YH" is the polymeric housing metal oxide Lightning arrester, if it is porcelain housing, then without "H".

YW, YHW型氧化锌避雷器  
Zinc Oxide Arrester



针式避雷器

YW, YHW型氧化锌避雷器  
Zinc Oxide Arrester

氧化锌避雷器



35KV

60KV

72KV

110KV

220KV



220V-500V

6KV

6KV 配电型

10KV 配电型

6KV 电站、电容型

10KV 电站、电容型



66-72kV



220kV



35kV线路立式(带脱离器)型

主要技术参数  
Main Technical Parameters

使用场所 Using Area

产品型号 Product Model	额定电压有效值(kV) Rating voltage (rms)	系统标称电压有效值(kV) System nominal voltage (rms)	持续运行电压有效值(kV) Continuous operation voltage (rms)	直流(U1mA)参考电压不小于(kV) Ref. Voltage under U1mA DC <	最大残压峰值 Max.residual voltage peak value(kV)			2000μs方波通流容量(A) 2000μs square wave flux capacity	4/10μs冲击电流峰值(kA) 4/10μs impulse current peak value	0.75直流参考电压下最大泄漏电流(μA) Max leakage current under 0.75DC ref. Voltage
					陡波冲击电流下 Steep wave impulse current	雷电冲击电流下 Lightning impulse current	操作冲击电流下 Switching impulse current			
YH5WZ-75/215	75	66	60	123	248	215	183	400	65	50
YH5WZ-90/224	90	66	72.5	130	258	224	190	400	65	50
YH10WZ-75/223	75	66	60	127	256	223	190	600	100	50
YH10WZ-90/235	90	66	72.5	130	27	235	201	600	100	50

电站(Z) Station(Z)

使用场所 Using Area

产品型号 Product Model	额定电压有效值(kV) Rating voltage (rms)	系统标称电压有效值(kV) System nominal voltage (rms)	持续运行电压有效值(kV) Continuous operation voltage (rms)	直流(U1mA)参考电压不小于(kV) Ref. Voltage under U1mA DC <	最大残压峰值 Max.residual voltage peak value(kV)			2000μs方波通流容量(A) 2000μs square wave flux capacity	4/10μs冲击电流峰值(kA) 4/10μs impulse current peak value	0.75直流参考电压下最大泄漏电流(μA) Max leakage current under 0.75DC ref. Voltage
					陡波冲击电流下 Steep wave impulse current	雷电冲击电流下 Lightning impulse current	操作冲击电流下 Switching impulse current			
YH10WZ-200/520	200	220	156	290	582	520	442	600	100	50
YH10WZ-204/532	204	220	159	296	594	532	452	600	100	50
YH10WZ-216/562	216	220	168.5	314	630	562	478	600	100	50

电站(Z) Station(Z)

使用场所 Using Area

产品型号 Product Model	额定电压有效值(kV) Rating voltage (rms)	系统标称电压有效值(kV) System nominal voltage (rms)	持续运行电压有效值(kV) Continuous operation voltage (rms)	直流(U1mA)参考电压不小于(kV) Ref. Voltage under U1mA DC <	最大残压峰值 Max.residual voltage peak value(kV)			2000μs方波通流容量(A) 2000μs square wave flux capacity	4/10μs冲击电流峰值(kA) 4/10μs impulse current peak value	0.75直流参考电压下最大泄漏电流(μA) Max leakage current under 0.75DC ref. Voltage
					陡波冲击电流下 Steep wave impulse current	雷电冲击电流下 Lightning impulse current	操作冲击电流下 Switching impulse current			
YH5WX2-51/134L	51	35	40.8	73	154	134	114	400	100	50
YH5WX2-54/142L	54	35	43.2	77	163	142	121	400	100	50
YH5WX2-57/170L	57	35	45.6	80	195	170	145	400	100	50

线路(X) Line(X)



220kV线路(纯空气间隙)型

主要技术参数  
Main Technical Parameters

使用场所 Using Area

线路(X) Line(X)

产品型号 Product Model	额定电压有效值(kV) Rating voltage (rms)	系统标称电压有效值(kV) System nominal voltage (rms)	持续运行电压有效值(kV) Continuous operation voltage (rms)	直流(U1mA)参考电压不小于(kV) Ref. Voltage under U1mA DC <	最大残压峰值 Max.residual voltage peak value(kV)		2000μs方波通流容量(A) 2000μs square wave flux capacity	4/10μs冲击电流峰值(kA) 4/10μs Impulse current peak value	工频耐受电压不小于(kV) Power frequency withstand voltage >= (kV)	雷电冲击50%放电电压不大于(kV) Discharge voltage under 50% lightning impulse
					陡波冲击电流下 Steep wave impulse current	雷电冲击电流下 Lightning impulse current				
YH10CX-180/520K	180	220	10	260	584	520	600	100	370	900
YH10CX-192/560K	192	220	10	280	628	560	600	100	370	900
YH10CX-216/640K	216	220	10	320	716	640	600	100	370	900

使用场所 Using Area

线路(X) Line(X)

产品型号 Product Model	额定电压有效值(kV) Rating voltage (rms)	系统标称电压有效值(kV) System nominal voltage (rms)	持续运行电压有效值(kV) Continuous operation voltage (rms)	直流(U1mA)参考电压不小于(kV) Ref. Voltage under U1mA DC <	最大残压峰值 Max.residual voltage peak value(kV)		2000μs方波通流容量(A) 2000μs square wave flux capacity	4/10μs冲击电流峰值(kA) 4/10μs Impulse current peak value	工频耐受电压不小于(kV) Power frequency withstand voltage >= (kV)	雷电冲击50%放电电压不大于(kV) Discharge voltage under 50% lightning impulse
					陡波冲击电流下 Steep wave impulse current	雷电冲击电流下 Lightning impulse current				
YH10CX-180/520J	180	220	10	260	584	520	600	100	370	900
YH10CX-192/560J	192	220	10	280	628	560	600	100	370	900
YH10CX-216/640J	216	220	10	320	716	640	600	100	370	900

220kV线路(绝缘子间隙)型

使用场所 Using Area

线路(X) Line(X)

产品型号 Product Model	额定电压有效值(kV) Rating voltage (rms)	系统标称电压有效值(kV) System nominal voltage (rms)	持续运行电压有效值(kV) Continuous operation voltage (rms)	直流(U1mA)参考电压不小于(kV) Ref. Voltage under U1mA DC <	最大残压峰值 Max.residual voltage peak value(kV)			2000μs方波通流容量(A) 2000μs square wave flux capacity	4/10μs冲击电流峰值(kA) 4/10μs Impulse current peak value	0.75直流参考电压下最大泄漏电流(μA) Max.leakage current under 0.75DC ref. Voltage
					陡波冲击电流下 Steep wave impulse current	雷电冲击电流下 Lightning impulse current	操作冲击电流下 Switching impulse current			
YH5WX1-51/134L	51	35	40.8	73	154	134	114	400	100	50
YH5WX1-54/142L	54	35	43.2	77	163	142	121	400	100	50
YH5WX1-57/170L	57	35	45.6	80	195	170	145	400	100	50

35kV线路悬挂(带脱离器)型



35kV线路悬挂(无间隙)型

主要技术参数  
Main Technical Parameters

使用场所 Using Area

线路(X) Line(X)

产品型号 Product Model	额定电压有效值(kV) Rating voltage (rms)	系统标称电压有效值(kV) System nominal voltage (rms)	持续运行电压有效值(kV) Continuous operation voltage (rms)	直流(U1mA)参考电压不小于(kV) Ref. Voltage under U1mA DC <	最大残压峰值 Max.residual voltage peak value(kV)			2000μs方波通流容量(A) 2000μs square wave flux capacity	4/10μs冲击电流峰值(kA) 4/10μs Impulse current peak value	0.75直流参考电压下最大泄漏电流(μA) Max.leakage current under 0.75DC ref. Voltage
					陡波冲击电流下 Steep wave impulse current	雷电冲击电流下 Lightning impulse current	操作冲击电流下 Switching impulse current			
YH5WX3-51/134	51	35	40.8	73	154	134	114	400	100	50
YH5WX3-54/142	54	35	43.2	77	163	142	121	400	100	50
YH5WX3-57/170	57	35	45.6	80	195	170	145	400	100	50



110kV线路悬挂(无间隙)型

使用场所 Using Area

线路(X) Line(X)

产品型号 Product Model	额定电压有效值(kV) Rating voltage (rms)	系统标称电压有效值(kV) System nominal voltage (rms)	持续运行电压有效值(kV) Continuous operation voltage (rms)	直流(U1mA)参考电压不小于(kV) Ref. Voltage under U1mA DC <	最大残压峰值 Max.residual voltage peak value(kV)			2000μs方波通流容量(A) 2000μs square wave flux capacity	4/10μs冲击电流峰值(kA) 4/10μs Impulse current peak value	0.75直流参考电压下最大泄漏电流(μA) Max.leakage current under 0.75DC ref. Voltage
					陡波冲击电流下 Steep wave impulse current	雷电冲击电流下 Lightning impulse current	操作冲击电流下 Switching impulse current			
YH5WX-96/250	96	110	75	140	288	250	213	400	100	50
YH5WX-108/281	108	110	84	157	315	281	239	600	100	50
YH10WX-96/250	96	110	75	140	288	250	213	400	100	50
YH10WX-108/281	108	110	84	157	315	281	239	600	100	50
YH10WX-114/297	114	110	89	165	341	297	252	600	100	50



35kV线路悬挂(纯空气间隙)型

使用场所 Using Area

线路(X) Line(X)

产品型号 Product Model	额定电压有效值(kV) Rating voltage (rms)	系统标称电压有效值(kV) System nominal voltage (rms)	持续运行电压有效值(kV) Continuous operation voltage (rms)	直流(U1mA)参考电压不小于(kV) Ref. Voltage under U1mA DC <	最大残压峰值 Max.residual voltage peak value(kV)			2000μs方波通流容量(A) 2000μs square wave flux capacity	4/10μs冲击电流峰值(kA) 4/10μs Impulse current peak value	工频耐受电压不小于(kV) Power frequency withstand voltage >= (kV)	雷电冲击50%放电电压不大于(kV) Discharge voltage under 50% lightning impulse
					陡波冲击电流下 Steep wave impulse current	雷电冲击电流下 Lightning impulse current	操作冲击电流下 Switching impulse current				
YH5CX-42/120K	42	35	5	60	138	120	250	65	82	250	
YH5CX-42/150K	42	35	5	60	172.5	150	250	65	82	250	





35kV线路(绝缘子间隙)型

主要技术参数  
Main Technical Parameters

使用场所 Using Area 线路(X) Line(X)

产品型号 Product Model	额定电压有效值(kV) Rating voltage (rms)	系统标称电压有效值(kV) System nominal voltage (rms)	持续运行电压有效值(kV) Continuous operation voltage (rms)	直流(U1mA)参考电压不小于(kV) Ref. Voltage under U1mA DC <	最大残压峰值 Max. residual voltage peak value(kV)		2000μs方波通流容量(A) 2000μs square wave flux capacity	4/10μs冲击电流峰值(kA) 4/10μs impulse current peak value	工频耐受电压不小于(kV) Power frequency withstand voltage ≥ (kV)	雷电冲击50%放电电压不大于(kV) Discharge voltage under 50% lightning impulse
					陡波冲击电流下 Steep wave impulse current	雷电冲击电流下 Lightning impulse current				
YH5CX-42/120J	42	35	5	60	138	120	250	65	82	250
YH5CX-42/150J	42	35	5	60	172.5	150	250	65	82	250



110kV线路(纯空气间隙)型

使用场所 Using Area

线路(X) Line(X)

产品型号 Product Model	额定电压有效值(kV) Rating voltage (rms)	系统标称电压有效值(kV) System nominal voltage (rms)	持续运行电压有效值(kV) Continuous operation voltage (rms)	直流(U1mA)参考电压不小于(kV) Ref. Voltage under U1mA DC <	最大残压峰值 Max. residual voltage peak value(kV)		2000μs方波通流容量(A) 2000μs square wave flux capacity	4/10μs冲击电流峰值(kA) 4/10μs impulse current peak value	工频耐受电压不小于(kV) Power frequency withstand voltage ≥ (kV)	雷电冲击50%放电电压不大于(kV) Discharge voltage under 50% lightning impulse
					陡波冲击电流下 Steep wave impulse current	雷电冲击电流下 Lightning impulse current				
YH5CX-96/280K	96	110	5	140	314	280	400	100	185	525
YH10CX-96/280K	96	110	10	140	314	280	400	100	185	525
YH10CX-108/320K	108	110	10	160	358	320	400	100	185	525



110kV线路(绝缘子间隙)型

使用场所 Using Area

线路(X) Line(X)

产品型号 Product Model	额定电压有效值(kV) Rating voltage (rms)	系统标称电压有效值(kV) System nominal voltage (rms)	持续运行电压有效值(kV) Continuous operation voltage (rms)	直流(U1mA)参考电压不小于(kV) Ref. Voltage under U1mA DC <	最大残压峰值 Max. residual voltage peak value(kV)		2000μs方波通流容量(A) 2000μs square wave flux capacity	4/10μs冲击电流峰值(kA) 4/10μs impulse current peak value	工频耐受电压不小于(kV) Power frequency withstand voltage ≥ (kV)	雷电冲击50%放电电压不大于(kV) Discharge voltage under 50% lightning impulse
					陡波冲击电流下 Steep wave impulse current	雷电冲击电流下 Lightning impulse current				
YH5CX-96/280J	96	110	5	140	314	280	400	100	185	525
YH10CX-96/280J	96	110	10	140	314	280	400	100	185	525
YH10CX-108/320J	108	110	10	160	358	320	400	100	185	525

概述

跌落式复合外套氧化锌避雷器

可投式、可卸式避雷器是将氧化锌避雷器改装后巧妙地安装在跌落式熔断器的跌落式机构上,达到在断电的情况下,可以借助绝缘拉闸操纵杆方便地对避雷器进行检测、维修与更换,不但保证了线路的畅通,而且大大地减少了电力维护人员的工作强度和时间的,特别适合于不宜停电的场所如邮电通讯、机场、车站、医院、繁华商业区等。产品其它性能同配电型避雷器。

跌落式避雷器增加了脱离器,避雷器被雷击过后,如果避雷器外观无损坏时,人工用眼观察是较难发现的,这使寻找故障点进行修复费时,另一方面继承了可卸式避雷器的特点,避雷器过电故障后,由于仍与电网连接,更换新的避雷器时要么带电作业,要么线路拉闸停电,给修复更换工作造成麻烦,也拖延了电网恢复时间。

本跌落式避雷器出现异常发生故障时,利用工频短路电流让脱离器动作,使脱离器接地端自动脱开,避雷器元件翻落,退出运行防止事故进一步扩大,并易于维护人员及时发现进行维护和更换。其翻落原理类似熔断器熔丝熔断引起熔管翻落。我公司采用了目前国际最先进的热爆式脱离器,具有动作速度快,动作电流范围广,又能耐受规定电流冲击和动作负载的优点。

产品型号说明

YH5WS - □ / □ DL - TLB

- 表示脱离器
- 表示跌落式
- 标称放电电流下的残压
- 避雷器额定电压
- 配电型复合外套氧化锌避雷器



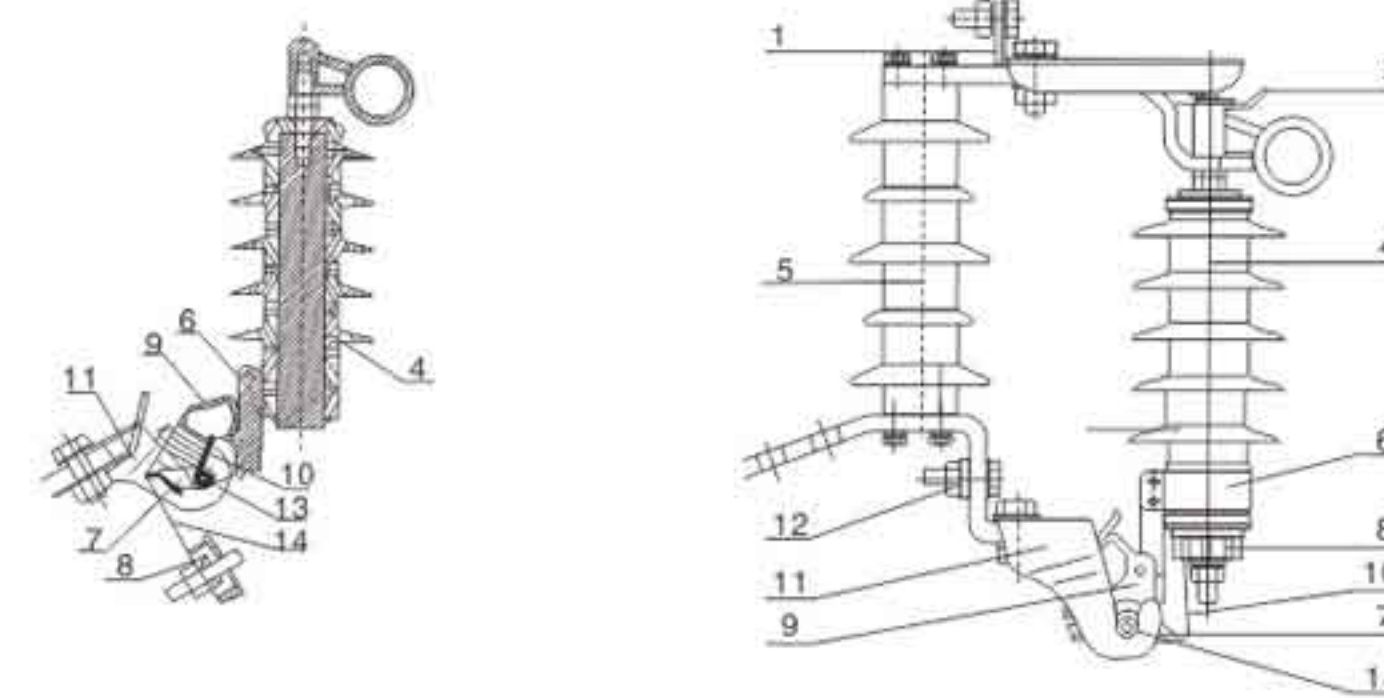
产品电气参数表

产品型号	系统电压 (KV)	额定电压 (KV)	持续运行电压(KV)	U1mA D.C <KV	标称放电电流残压VKV	2ms方波通流容量(A)
YH5WS-10/30DL	6	10	8	15	30	100
YH5WS-10/30DL-TB	6	10	8	15	30	100
YH5WS-17/50DL	10	17	136	25	50	100
YH5WS-17/50DL-TB	10	17	136	25	50	100
YH5WZ-17/45DL	10	17	136	24	45	200
YH5WZ-17/45DL-TB	10	17	136	24	45	200

安装使用说明

- 1.安装使用前请检查避雷器元件与跌落式机构之间的松紧程度,以保证接触良好并投卸灵活。
- 2.跌落式机构上接线端接高压线,下接线端必须可靠接地,切勿接反。
- 3.避雷器在投入运行前和投入运行后的注意事项同普通避雷器。
- 4.当避雷器需要检修或更换时,可在断电的情况下,借助绝缘拉闸操纵杆对准避雷器单元上的拉钩进行方便的操作,如同更换跌落式熔管。

附图



### 三相组合式过电压保护器 Three-Phase Integrated over-voltage protector

#### 概述 General

三相组合式过电压保护器是一种新颖的过电压保护设备，主要用于35kV及以下电力系统中，保护变压器，开关，母线，电动机，并联补偿电容器等电气设备，可限制大气过电压及各种真空断路器引起的操作过电压，相对地和相间的过电压均能引起到可靠的限制作用。

三相组合式过电压保护器由四只避雷器组成四星型接法，从而使各相地，相间的过电压都得到保护。由于结构上的巧妙配合，使一台过电压器起到了6只避雷器的作用。同时克服了简单的三只避雷器星型接法不能更好保护相间过电压的缺点。

三相组合式过电压保护器可以有串联间隙型，也可以是无间隙型。

The intergrated over-voltage protector is a new type over-voltage protector, which is suitable for the protection of transformers, switches, shunt compensation capacitors and other electrical equipments in the 35kV power range as below. It can limit the over-voltage of atmosphere and by operating vacuum circuit breaker, and it also can limit the over-voltage of phase to phase and phase to earth.

The intergrated over-voltage protector is comprised of four surge arresters so that it can protect the over-voltage between phase to phase and phase to earth. The clever combination of six surge arresters to form one unit allows it to overcome the disadvantage of not being able to protect against over-voltage of single phase by simply connecting Three surge arresters together.

#### 产品型号说明 Defination of model



- 使用场所(N: 户内, W: 户外)  
Using Area(N:Indoor,W:Outdoor);
- J表示带计数器  
J: with counter
- 相间距  
Distance between Phases
- 硅橡胶外套  
Silicon rubber housing
- 额定电压(kV)  
Rated voltage(kV)
- 保护对象  
Protecting object
- 三相组合式过电压保护器  
Three-Phase Integrated over-voltage protector

#### 正常使用条件 Normal conditions of use

1. 适用于户内，户外；
  2. 环境温度为40℃~ -40℃；
  3. 海拔高度不超过2500m；
  4. 电源频率不大于62Hz，不小于48Hz；
  5. 最大风速不超过35m/s；
  6. 地震烈度7度及以下地区；
  7. 过电压保护器长期工作电压，应不超过持续运行电压。
1. Suitable for both indoor and outdoor;
  2. Ambient temperature is-40℃ to40℃;
  3. Altitude: ≤2500m;
  4. Power frequency: between 48Hz and 62Hz;
  5. Wind speed: ≤35m/s;
  6. Earthquake intensity does not exceed 7 degrees;
  7. Long-term operation voltage should not exceed the continuous operation voltage.

#### 主要技术参数 Main Technical Parmeters

TBP-O系列(电机中性点型) TBP-O Series(Electromotor Neutral point Type)

保护器额定电压有效值(kV) Rated voltage of protector (rms)(kV)	电机额定电压有效值(kV) Rated voltage of electromotor (rms)(kV)	8/20 μs雷电冲击电流残压峰值不大于(kV) Residual voltage of 8/20 μs lightning impulse current(Peak)(≥kV)	直流U1mA参考电压不大于(kV) 电压峰值不大于(kV) DC(U1mA)Ref.voltage (Peak)(≤kV)
4.8	6.3	12.0	6.8
8	10.5	19.0	11.4

#### 主要技术参数 Main Technical Parmeters

TBP-A系列(电动机型) TBP-A Series(Motor Type)

电动机额定电压(kV) Electromotor Rated voltage(kV)	有效值 Virtual Value	6.3	10.5
保护器额定电压(kV) Protector Rated voltag(kV)		7.6	12.7
工频放电电压不小于(kV) Power frequency discharge voltage	15.0	25.0	
直流U1mA参考电压不小于(kV) DC(U1mA)Ref.Voltage(≤kV)	峰值 Peak	11.2	29.0
1.2/50 μs冲击放电电压不大于(kV) 1.2 μs Impulse discharge voltage(≥w)		17.0	18.6
100A操作冲击电流残压不大于(kV) Residual voltage of 100A operating impulse current(≥kV)	13.6	29.0	
500A雷电冲击电流残压不大于(kV) Residual voltage of 500A lightning impulse current(≥kV)	17.0	23.0	
2000 μs方波冲击电流(A) 2000 μs Square wave impulse current(A)	400	400	
安全净距离不小于(mm) Safe net distance(≤mm)	95	120	
沿面爬距不小于(mm) Surface creepage distance (≤mm)	140	235	
最小相间距离(mm) Min.phase to phase distance(mm)	115	145	



10kV

TBP B系列(真空断路器、开关型) TBP B Series(Vacuum circuit breaker、Switch Type)

系统额定电压(kV) System Rated voltage(kV)	有效值 Virtual Value	6	10	35
保护器额定电压(kV) Protector Rated voltag(kV)		7.6	12.7	42
工频放电电压不小于(kV) Power frequency discharge voltage	16.0	26.0	80.0	
直流U1mA参考电压不小于(kV) DC(U1mA)Ref.Voltage(≤kV)	峰值 Peak	14.4	24	73
1.2/50 μs冲击放电电压不大于(kV) 1.2 μs Impulse discharge voltage(≥kV)		24.0	41.0	124.0
500A雷电冲击电流残压不大于(kV) Residual voltage of 500A lightning impulse current(≥kV)	19.0	32.0	99.0	
2000 μs方波冲击电流(A) 2000 μs Square wave impulse current(A)	400	400	400	
安全净距离不小于(mm) Safe net distance(≤mm)	95	120	285	
沿面爬距不小于(mm) Surface creepage distance (≤mm)	140	235	1020	
最小相间距离(mm) Min.phase to phase distance(mm)	115	145	470	



10kV

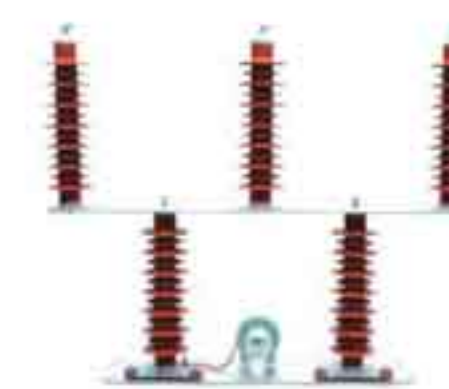
TBP-C系列(电动机型) TBP-C Series(Capacitor Type)

系统额定电压(kV) System Rated voltage(kV)	有效值 Virtual Value	6	10	35
保护器额定电压(kV) Protector Rated voltag(kV)		7.6	12.7	42
工频放电电压不小于(kV) Power frequency discharge voltage	16.0	26.0	80.0	
直流U1mA参考电压不小于(kV) DC(U1mA)Ref.Voltage(≤kV)	峰值 Peak	14.4	24	73
500A操作冲击电流残压不大于(kV) Residual voltage of 500A operating impulse current(≥kV)		19.0	32.0	99.0
5A雷电冲击电流残压不大于(kV) Residual voltage of 5A lightning impulse current(≥kV)	24.0	41.0	124.0	
2000 μs方波冲击电流(A) 2000 μs Square wave impulse current(A)	400	400	400	
安全净距离不小于(mm) Safe net distance(≤mm)	95	120	285	
沿面爬距不小于(mm) Surface creepage distance (≤mm)	140	235	1020	
最小相间距离(mm) Min.phase to phase distance(mm)	115	145	470	



35kV

TBP-35kV(户外)、TBP-3kV(outdoor)



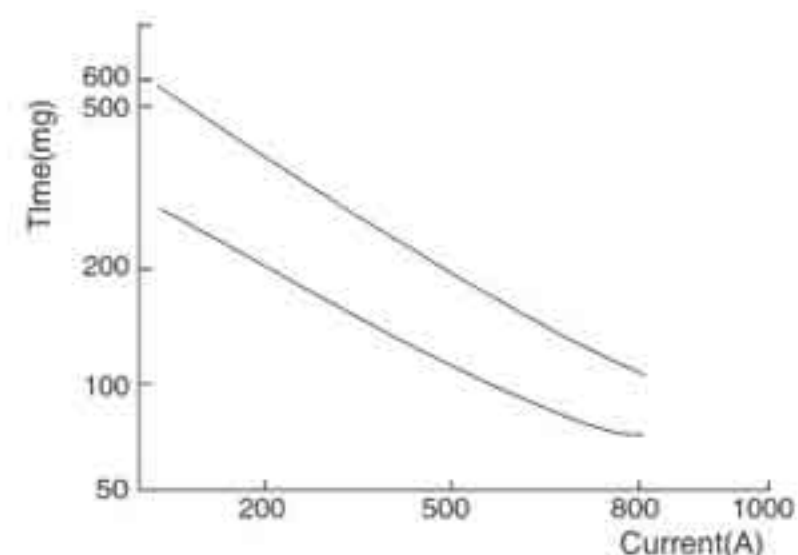
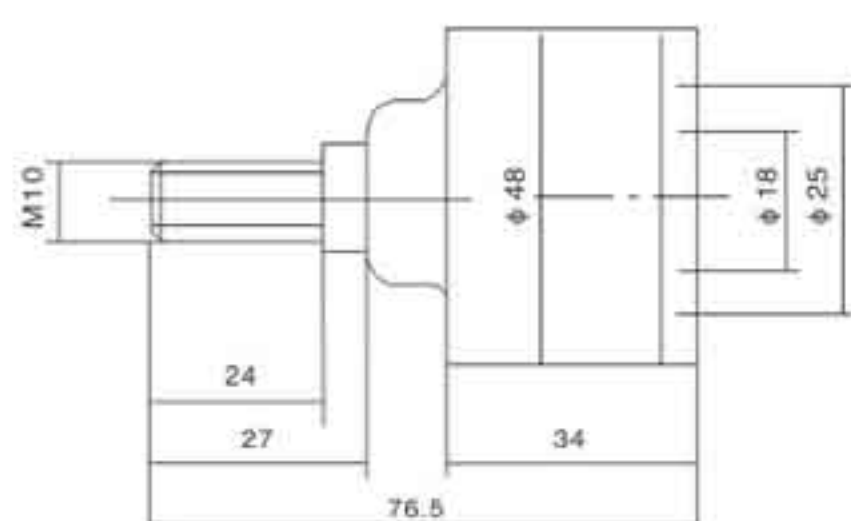
35kV

产品型号 Product Model	TBP-B-35kV	TBP-C-35kV
系统电压(kV) System Rating voltage(kV)	35	35
持续运行电压有效值(kV) Continuous operation voltage virtual value(kV)	40.8	40.8
直流(U1mA)参考电压不小于(kV) DC(U1mA) Ref.Voltage no less than (kV)	73	70
雷电冲击电流下 Lighting impulse current	134	134
2000 μs方波冲击电流(A) 2000 μs Impulse current peak value(A)	400	400

避雷器脱离器  
Arrestor disconnect

避雷器脱离器是一种可以在避雷器损坏时，使避雷器引线与系统断开以排除系统持续故障，并给出事故避雷器可见标志的装置。TL-1型脱离器是一种爆型脱离器，产品性能符合IEC60099-4的规定。

Arrestor disconnect is a device for disconnecting an arrester from the system in the event of arrester failure, to prevent a persistent fault on the system and to give visible indication of the failed arrester TL-1 is a thermal explode disconnecter. Our products are as per IEC 60099-4. Standard.



避雷器脱离器的安秒特性  
V-S characteristic of disconnecter

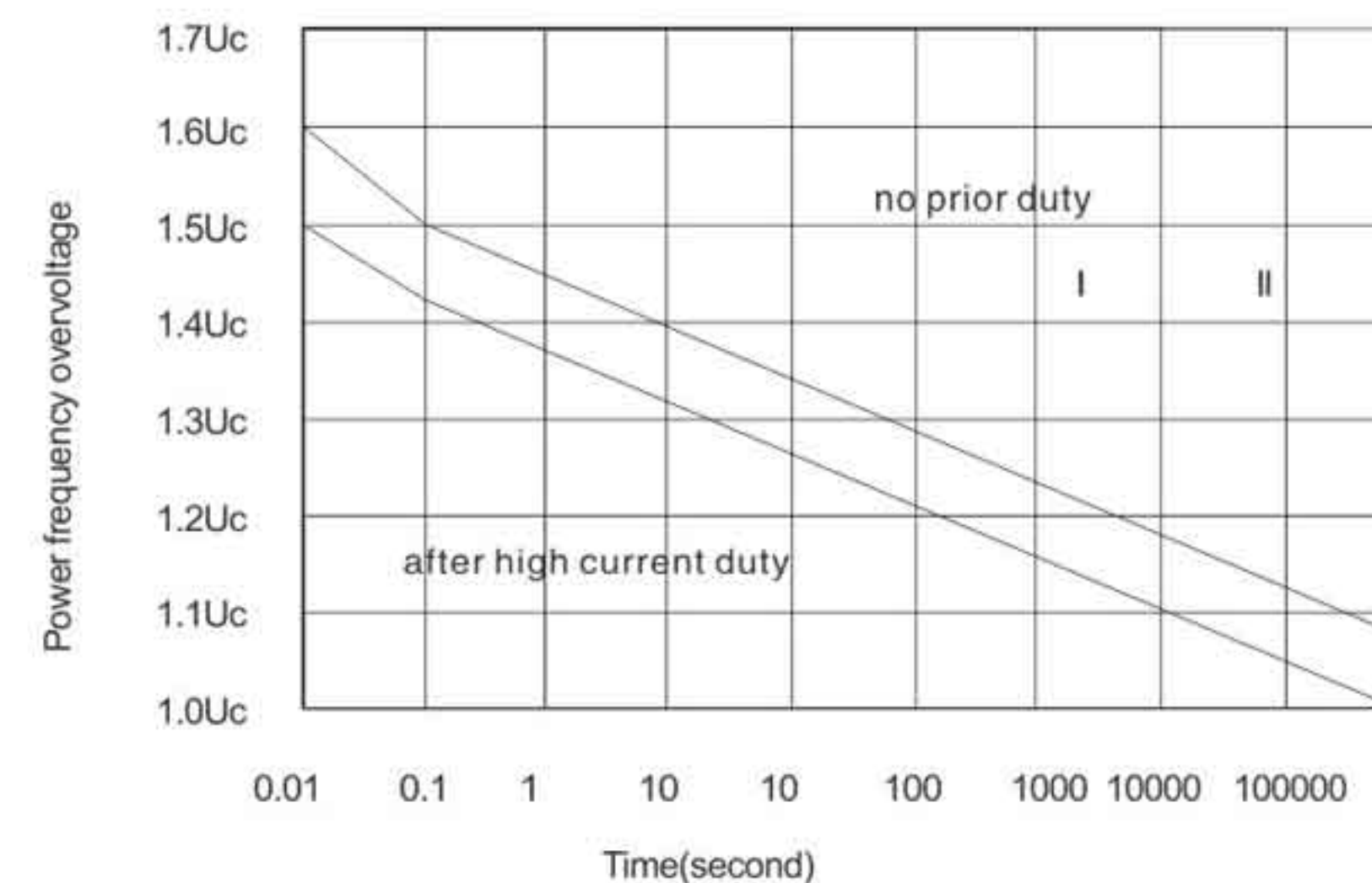
动作特性 Current level	工频电流 Power frequency(A)			方波冲击电流耐受 2000 μs square wave Impulse current(A)	大电流耐受 4/10 μs high current(KA)
	20	200	800		
动作时间 operation time	<0.5	<0.04	<0.02	∞	∞

氧化锌电阻片  
Zinc-oxide varistor



型号 Type	D35	D38	D42	D52
尺寸 Dimension(mm)				
直径 diameter	φ 35 ± 0.5	φ 38 ± 0.5	φ 42 ± 0.5	φ 52 ± 0.5
高度 height	24 ± 0.5	24 ± 0.5	24 ± 0.5	24 ± 0.5
标称放电电流 Nominal discharge current(KA)	5	10	10	10
额定电压 Rated voltage(KV)	3-3.4	3-3.4	3-3.4	3-3.4
最大持续运行电压 MCOV(KV)	2.55	2.55	2.55	2.55
8 μs残压 Residual voltage under 8/20 μs lightning impulse	9.1	9.3	9.2	9.9
方波电流耐受 200/μs square wave impulse current withstand(A)	100	150	250	400
大电流耐受 4/10 μs high current impulse(KA)	65	100	100	100
线路放电等级 Line discharge class	-	-	I	II

时间电压耐受特性  
Temporary overvoltage capability



保护器放电计数器  
Discharging counter

概述  
Generall

JS8、JS8A型放电计数器（以下简称计数器）是串联在避雷器下面。用来记录避雷器动作次数的一种装置，JS8型用于6kV-220kV电压等级；JS8A型用于330kV及以上电压等级的阀式避雷器。使用地点的环境条件与相连接的避雷器相同，海拔高度不超过4000米，环境温度为-40℃~+40℃。它不适用于有严重腐蚀性金属及绝缘件的气体，有严重污染和有剧烈振动的地方。

JS8,JS8A discharging counter(hereinafter short as"counter" )is connected under the arrester in serial. It is used for recoding the operation times of arrester, JS8 type is applied for 6kV-220kV arrester, and JS8A is used for arrster with330kV and/or above. The environment condition shall meet the requirement required by arrester, for example, the altitude doesn't exceed 4000m, the environment temperature is -40~+40. This counter can't be put in the place that includes gas eroding metal and insulation parts, serious pollution and drastic vibration.

结构和性能  
Structure and characteristic

放电计数器主要由阀片，硅桥式整流器，电容器，电磁计数器等元件组成。它利用通过避雷器的能量(冲击电流和工频电流)，在阀片(非线性电阻)上取压，经硅桥式整流器，单向对电容器充电，并以直流对电磁计数器线圈放电而使计数器吸动一次，既记录一次来实现记录动作次数。

Discharging counter is made up of valve element, silicon bridge type rectifier, capacitor, electromagnetic counter and so on, it makes use of the arrester energy(surge current and power frequency current) to fetch the voltage on valve element (non linear resistance), then it charges to the capacitor in single direction through silicon bridge type rectifier, makes the coils of electromagnetic counter discharge with form of DC power to move the counter, thus, it can realize that the operating times can be recorded.



概述  
Generall

JSM-2型避雷器监测器，是串联在避雷器下面用来监测泄露电流和记录避雷器动作次数的一种装置，用于500kV及以下电压等级的氧化锌避雷器，使用的环境条件与相连接的避雷器相同。避雷器监测器的特点是电磁计数，电流指针指示，耐振动。

JSM-2 type monitor of arrester is connected under arrester in serial, it is applied for Zno arrester with 500kv and/or below, used to monitor leakage current and record operation times of arrester. The environment condition shall meet the requirement of arrester, the feature of monitor is anti-vibration, electromagnetic counting, indicating by current pointer.

结构和性能  
Structure and characteristic

监测器主要由阀片，整流器，电容器，电阻，电感，触发电路，保护器，计数电路，电磁计数量，磁电式指针电表，电流测量与转换电路，构件及壳体等部分组成。正常使用情况下，避雷器的泄露电流，直接由磁电式指针仪表显示出来，指示范围分为两档：0~5mA及0~2mA自动换挡并有灯显示，在0~10mA档时，发光管亮。避雷器动作时，电磁计数器累加计数，显示器满度后，自动回零继续累加计数，无限循环工作，不清零。

The monitor is made up of silicon bridge type varistor, capacitor, resistors electromagnetic counter and so on, It use of the arrester energy (surge current and power frequency current) to fetch the voltage on valve element (non linear resistance), then it charges to the capacitor in single direction through silicon bridge type rectifier, makes the coils of electromagnetic counter discharge with form of DC power to move the counter, thus, it can realize that the operating times can be recorded.

备忘录

Blank lined area for notes.